

* Picture is for reference only

View 300 MX

User's Manual
Benutzerhandbuch
Mode d'emploi
Manual del usuario
Manuale dell'utente
Manual do Utilizador

安裝說明書
用戶手冊
ユーザーズマニュアル
Руководство пользователя
kullanıcı elkitabı
(EEE Yönetmeliğine Uygundur)
คู่มือการใช้งาน



© 2022 Thermaltake Technology Co., Ltd. All Rights Reserved. 2022.08
All other registered trademarks belong to their respective companies. www.thermaltake.com



TT Premium



TT Premium

To continue achieving the corporate mission of delivering the perfect user experience, Thermaltake developed "TT Premium" with the essence of combining supreme quality products with a new logo design. TT Premium is far more than just a guarantee of quality. Behind the name, it represents the passion in DIY, Modding and Thermaltake's desire to be the most innovative brand in the PC hardware market. To satisfy the demand of the high-end PC users, TT Premium follows its core values of Excellent Quality, Unique Design, Diverse Combinations and Boundless Creativity to provide a high performance PC product for every enthusiast. <http://tppremium.com>

Tt LCS-Liquid Cooling Support Certification



Tt LCS Certified is a Thermaltake exclusive certification applied to only products that pass the design and hardcore enthusiasts standards that a true LCS chassis should be held to. The Tt LCS certification was created so that we at Thermaltake can designate to all power users which chassis have been tested to be best compatible with extreme liquid cooling configurations to ensure you get the best performance from the best features and fitment.

Join Tt Community To Receive Benefits



Dear Valued Customer,
Thank you for choosing Thermaltake.
As a new user we value your thoughts and opinions and your feedback is important to us. We at Thermaltake would like to use this opportunity to invite you to join our Community Forums. Register today to start enjoying the full benefits of our community.



Benefits of being a member:

- Quick and responsive user support
- Receive help and advice with new builds
- Keep up to date with new product releases
- Share your thoughts and builds with the community
- Enter monthly contests and giveaways

Brand official website
<http://www.thermaltake.com/>

Global Facebook
<https://www.facebook.com/ThermaltakeInc>

Taiwan Facebook
<http://www.facebook.com/ThermaltakeTW>

Global community forums
<http://community.thermaltake.com>

CONTENTS


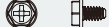

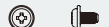

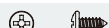




Chapter 1. Product Introduction

1.0	Specification	01
1.1	Accessory	02
1.2	Warning and Notice	03

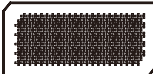
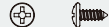

Chapter 2. Installation Guide

2.0	Remove Components	06
2.1	Power Supply Unit (PSU) Installation	07
2.2	Motherboard Installation	08
2.3	3.5" & 2.5" HDD Installation	09
2.4	PCI Card Installation	11
2.5	Air Cooling Installation	12
2.6	AIO Liquid Cooling Installation	13
2.7	I/O Connection	14
2.8	Remove Filters	15
2.9	Panel Installation	16
2.10	ARGB Control Instruction	17
3.0	PWM ARGB Control Board Connection	18
3.1	Pump Installation	19


Case Type	Mid Tower
Dimension (H*W*D)	505 x 230 x 506 mm (19.9 x 9.1 x 19.9 inch)
Side Panel	Tempered Glass x 1
Material	SPCC + ABS
Cooling System	Front (intake): 200 x 200 x 30 mm ARGB PWM fan (1000 rpm, 35.5 dBA) x 2 Rear (exhaust): 120 x 120 x 25 mm ARGB PWM fan (1500 rpm, 27.2 dBA) x 1
Drive Bays	2 x 3.5", 4 x 2.5" or 6 x 2.5"
Expansion Slots	7 (Rotatable Patented Design)
Motherboards	6.7" x 6.7" (Mini ITX), 9.6" x 9.6" (Micro ATX), 12" x 9.6" (ATX), 12" x 13" (E-ATX)
I/O Port	USB 3.2 (Gen 2) Type-C x 1, USB 3.0 x 2, HD Audio x 1
PSU	Standard PS2 PSU (optional)
Fan Support	Front: 3 x 120mm, 2 x 120mm, 1 x 120mm 3 x 140mm, 2 x 140mm, 1 x 140mm 2 x 200mm, 1 x 200mm Top: 3 x 120mm, 2 x 120mm, 1 x 120mm, 2 x 140mm, 1 x 140mm 1 x 200mm Right (M/B Side): 3 x 120mm, 2 x 120mm, 1 x 120mm (Without HDD Rack) Rear: 1 x 120mm
Radiator Support	Front: 1 x 360mm, 1 x 240mm, 1 x 120mm 1 x 280mm, 1 x 140mm Top: 1 x 360mm, 1 x 240mm, 1 x 120mm 1 x 280mm, 1 x 140mm Right (M/B Side): 1 x 360mm, 1 x 240mm, 1 x 120mm (Without HDD Rack) Rear: 1 x 120mm
Clearances	CPU cooler height limitation: 175mm VGA length limitation: 280mm (With reservoir) 400mm (Without reservoir) PSU length limitation: 200mm

Figure	Part Name	Q'ty	Use For
	Screw-off #6-32 x 6.5 mm	3	Motherboard
	Screw #6-32 x 6 mm	4	Power Supply
	Screw #6-32 x 6 mm	10	3.5" HDD
	Screw M3 x 5 mm	35	Motherboard / 2.5" HDD / SSD
	Screw Ø 5 x 10 mm	8	Case Fan
	Screw Ø 3 x 8 mm	1	Strip Stand
	PSU Cover strip stand	1	VGA bracket base
	PSU strip stand	1	VGA bracket base
	Cable ties	10	Cable Management
	Buzzer	1	Motherboard Alarm

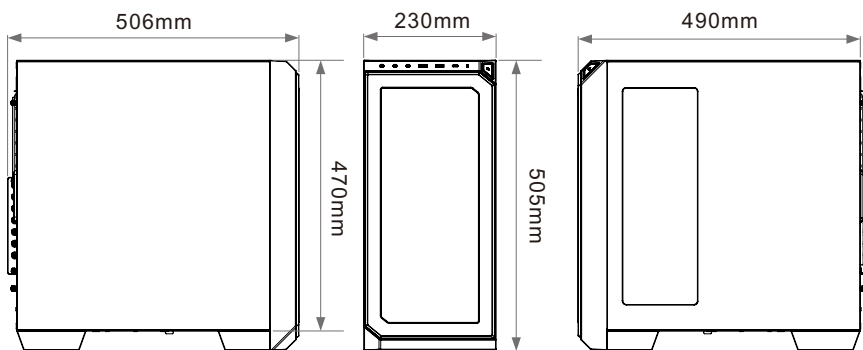
Additional Perforated Metal Panel

Figure	Part Name	Q'ty	Use For
	Perforated Metal Panel	1	Front Panel Option
	Screw Ø 3 x 8 mm	3	Front Panel
	Screw #6-32 x 6 mm	3	Perforated Metal Panel

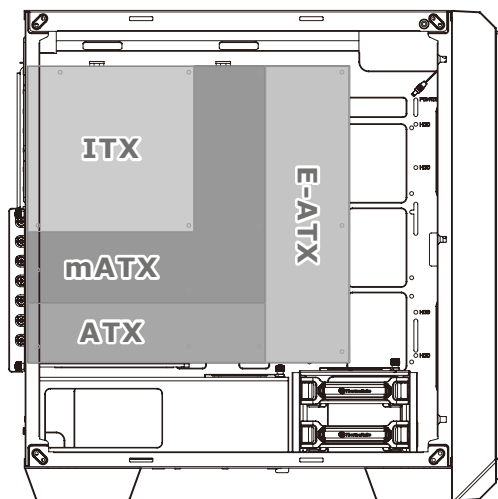
For ARGB Version Only

Figure	Part Name	Q'ty	Use For
	MB Signal Bridge Cable (ASUS/MSI/ASROCK/GIGABYTE)	1	LED Signal Sync

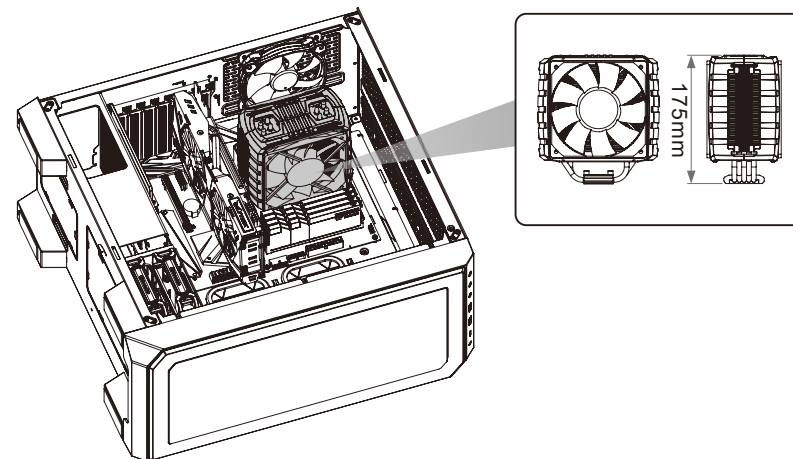
Chassis dimension



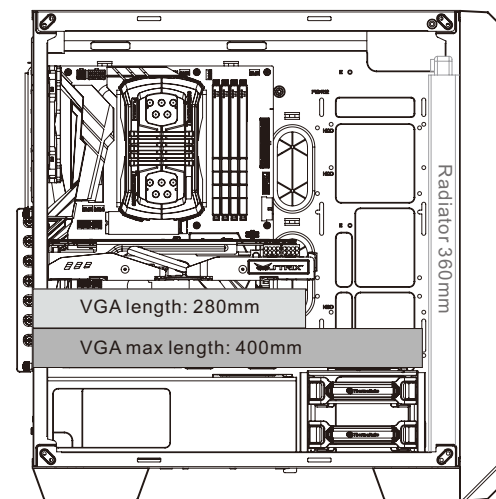
Motherboard Compatibility: ITX / mATX / ATX / E-ATX
(Up to 330.2mm wide)



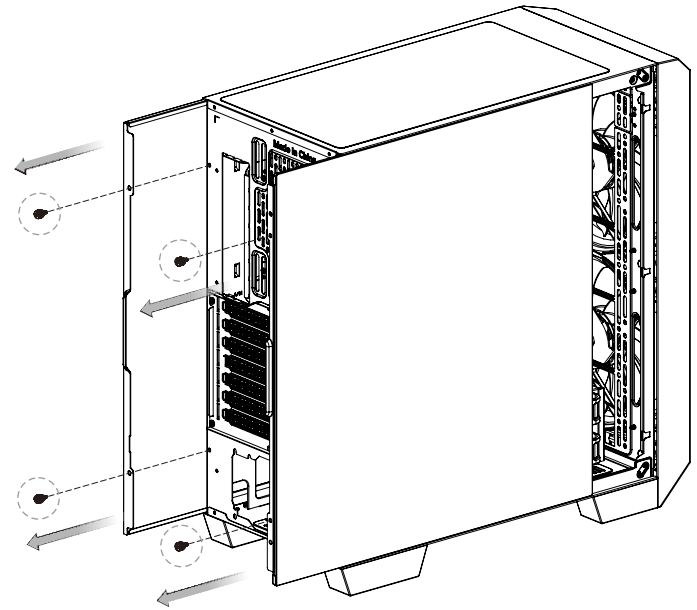
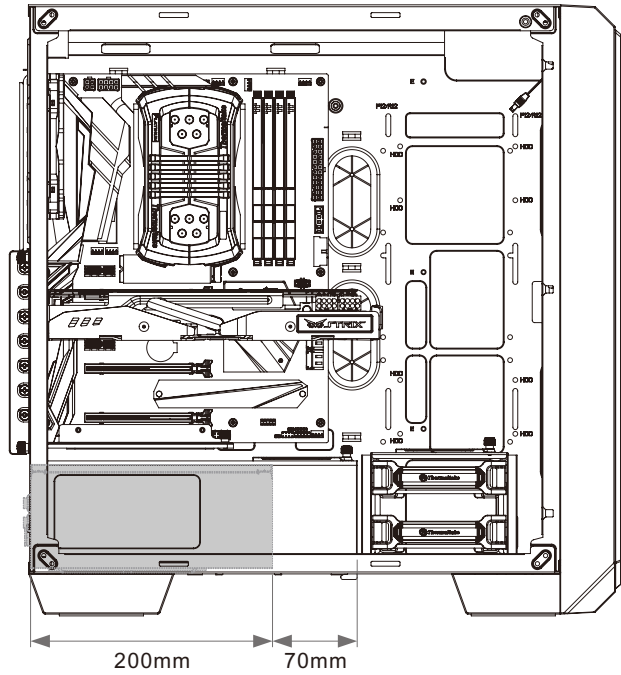
CPU cooler max height: 175mm



VGA max length: 400mm

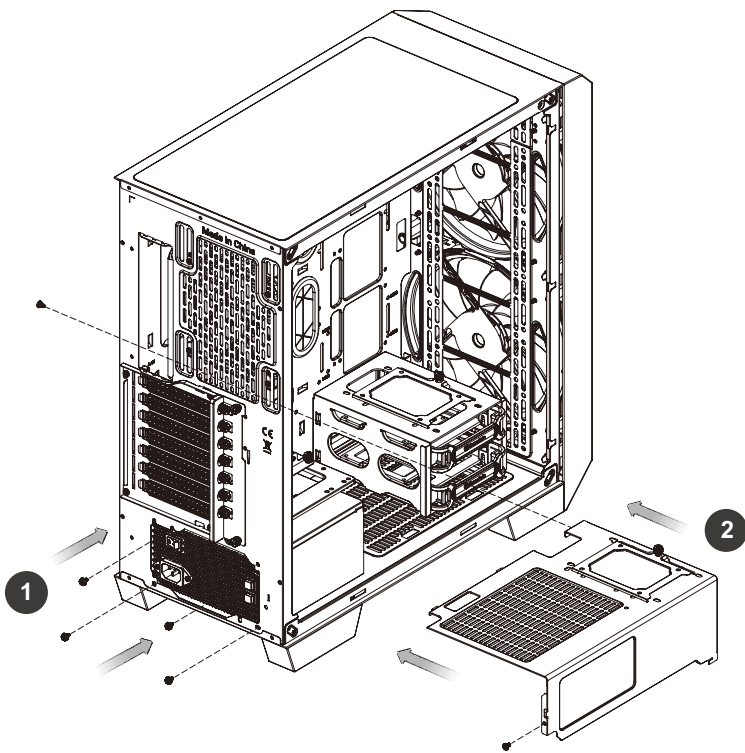


PSU max length: 200mm

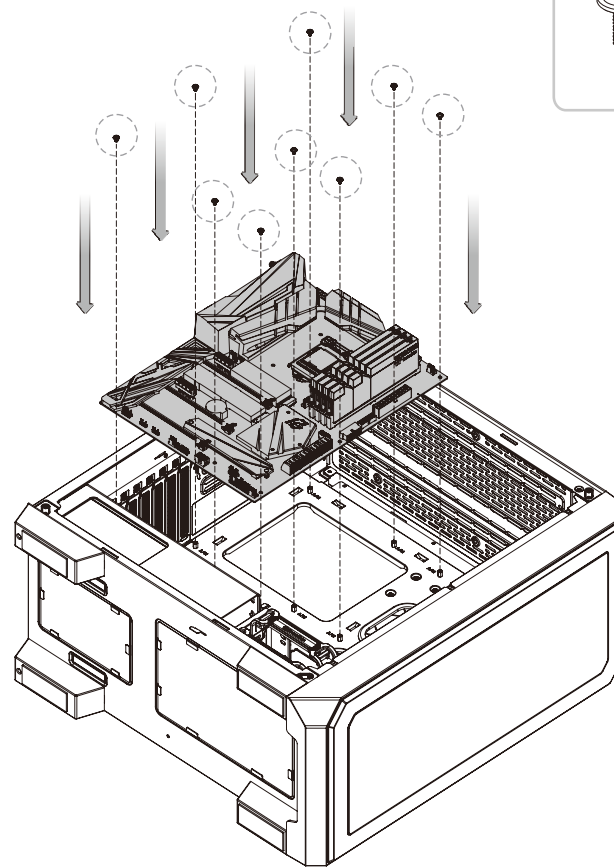


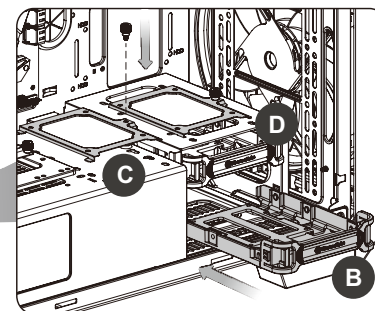
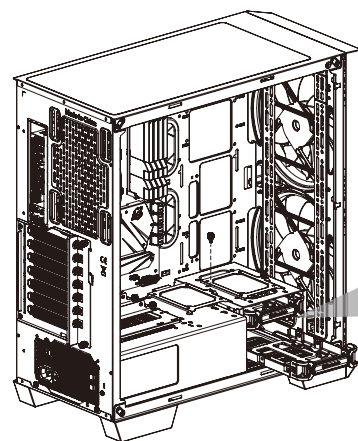
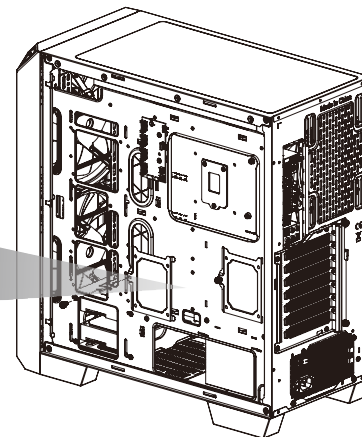
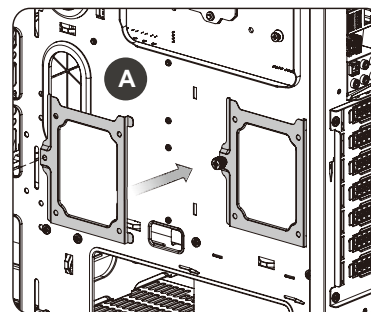
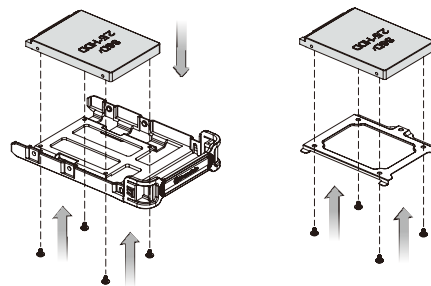
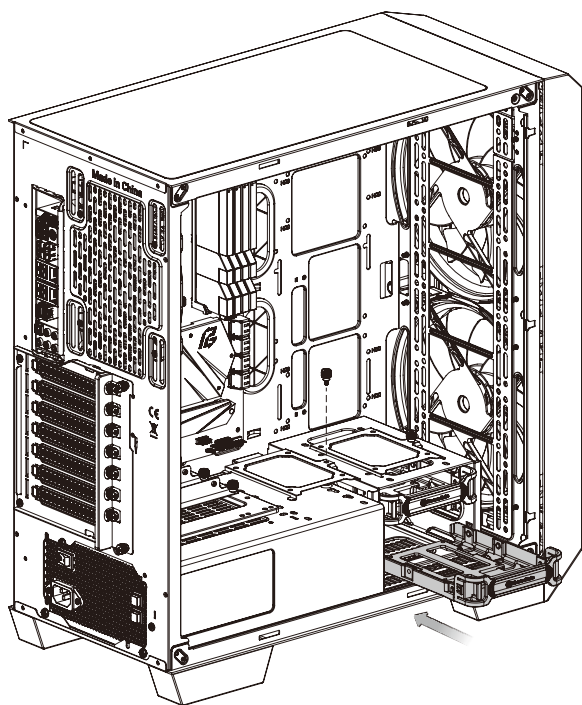
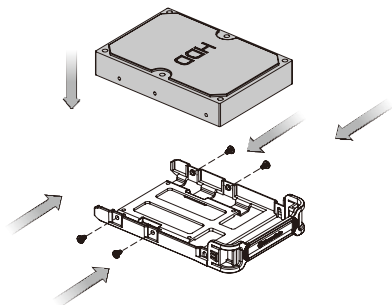
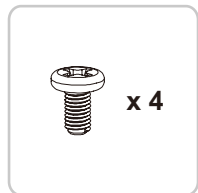


x 4

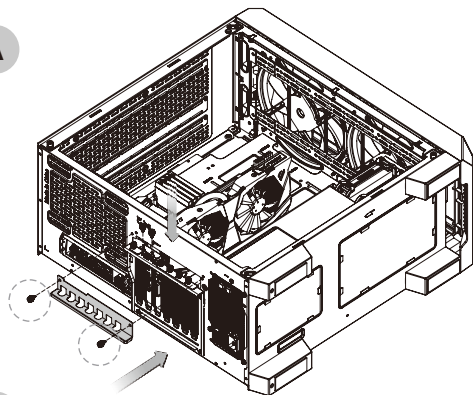


x 9

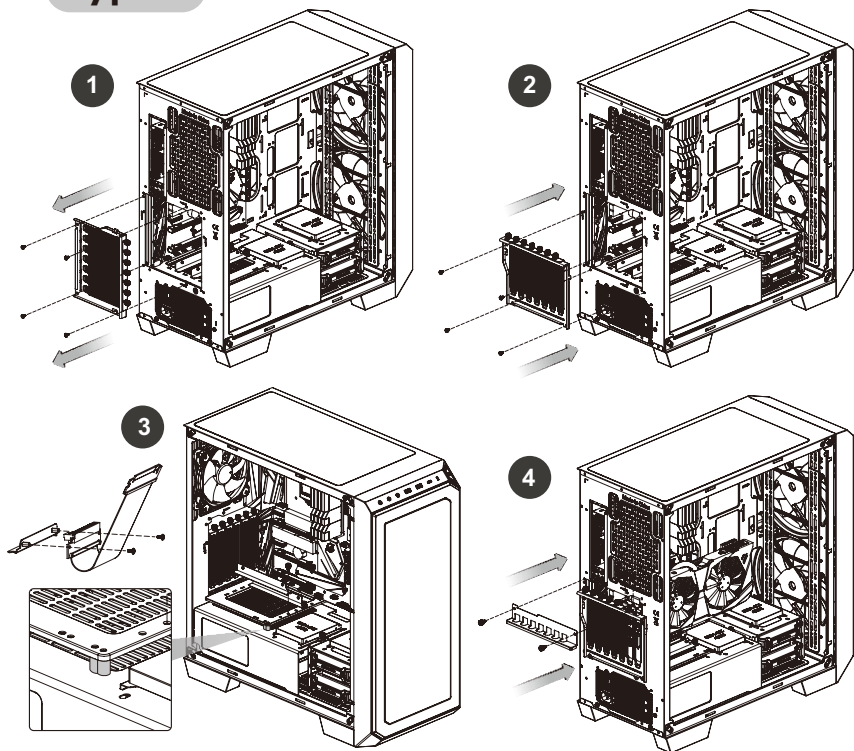




Type A



Type B



Top

200mm x 1
or
140mm x 2
or
120mm x 3

Rear

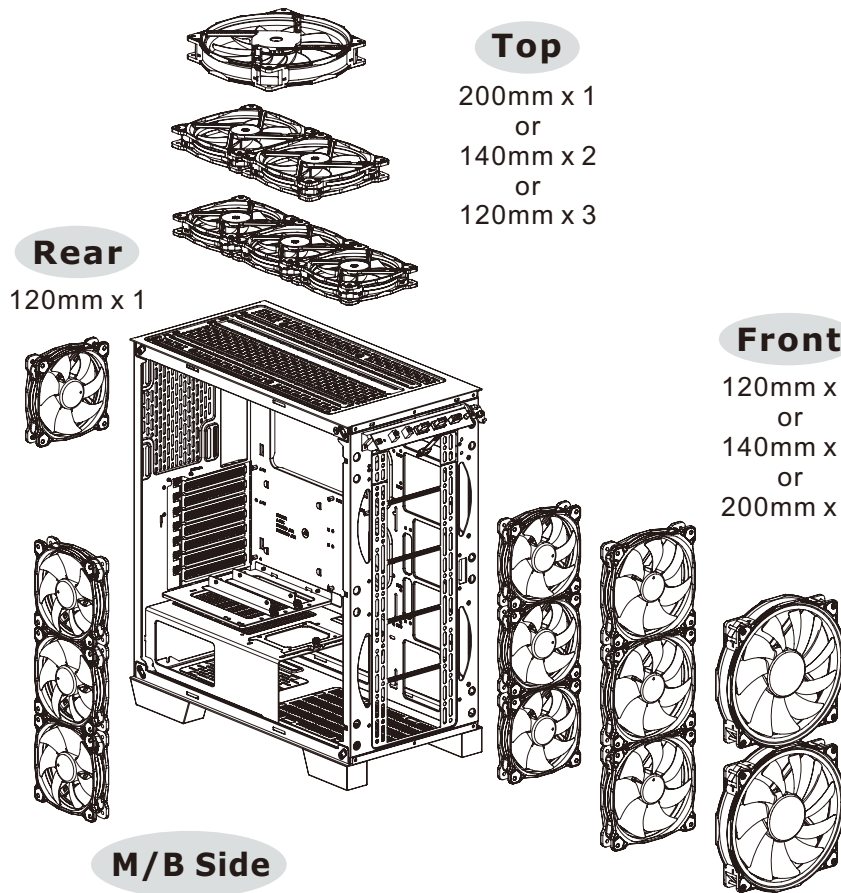
120mm x 1

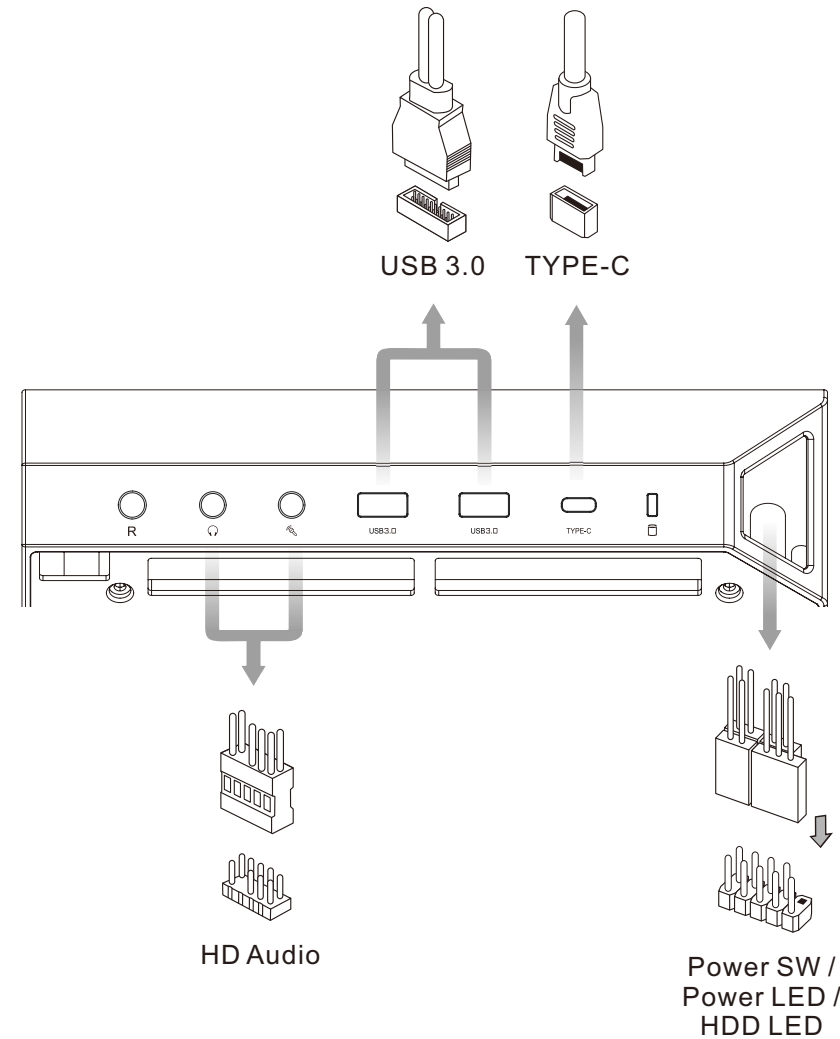
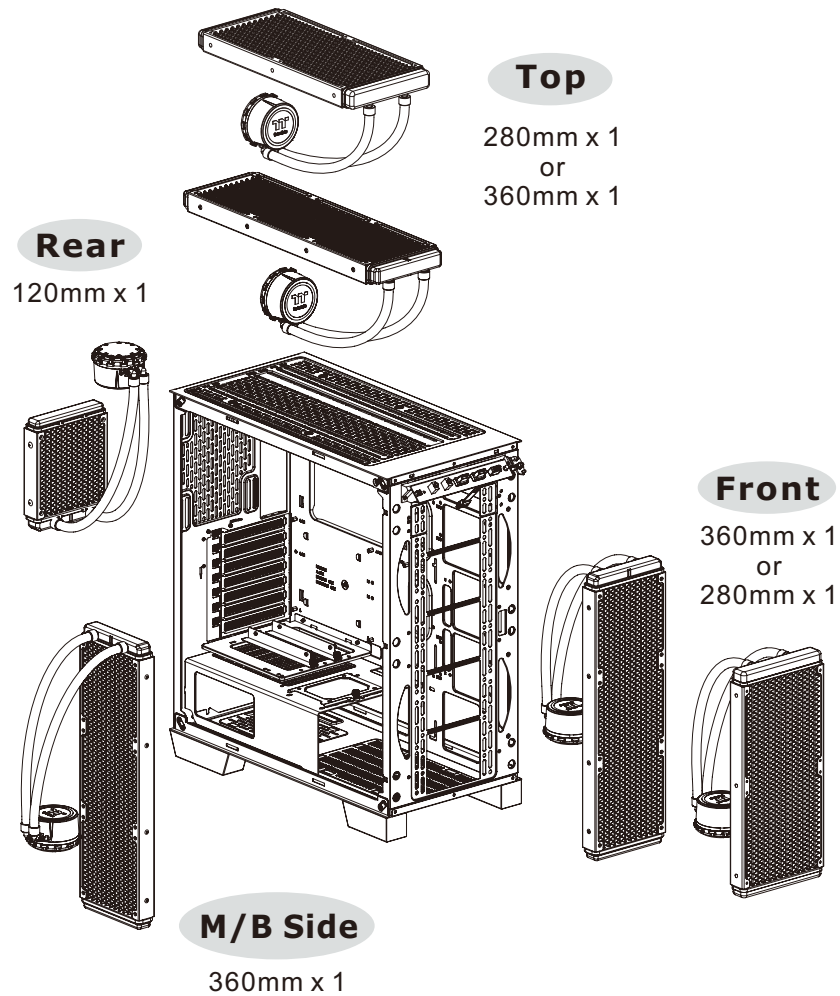
Front

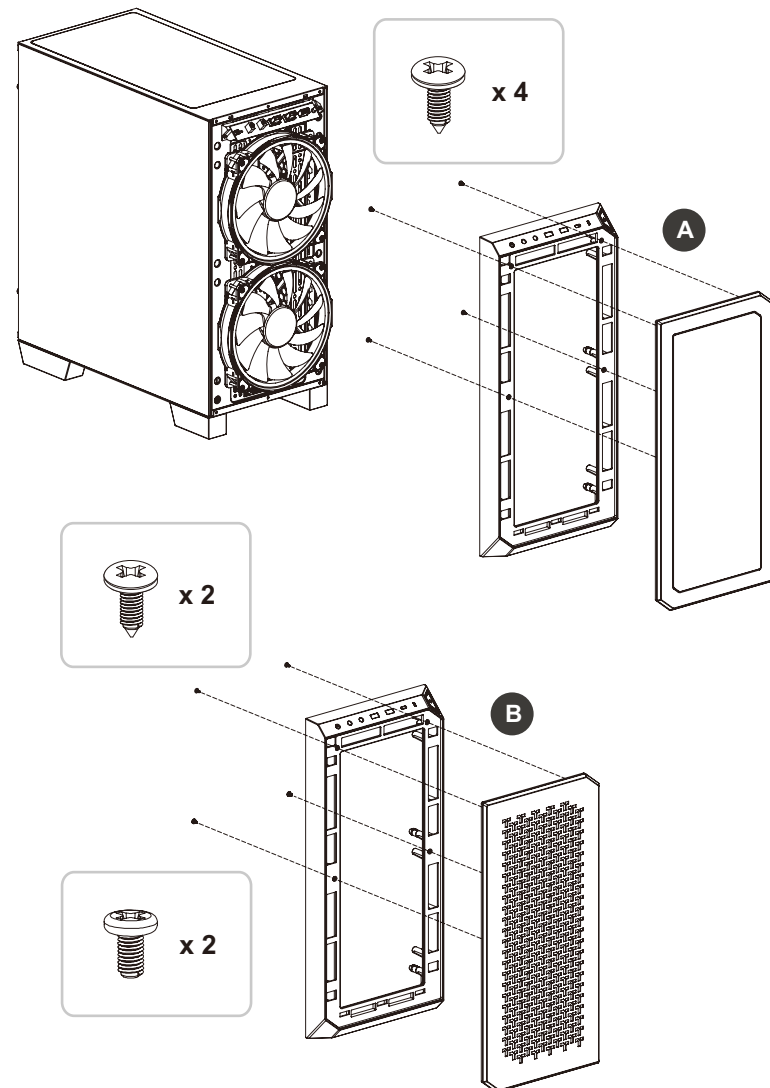
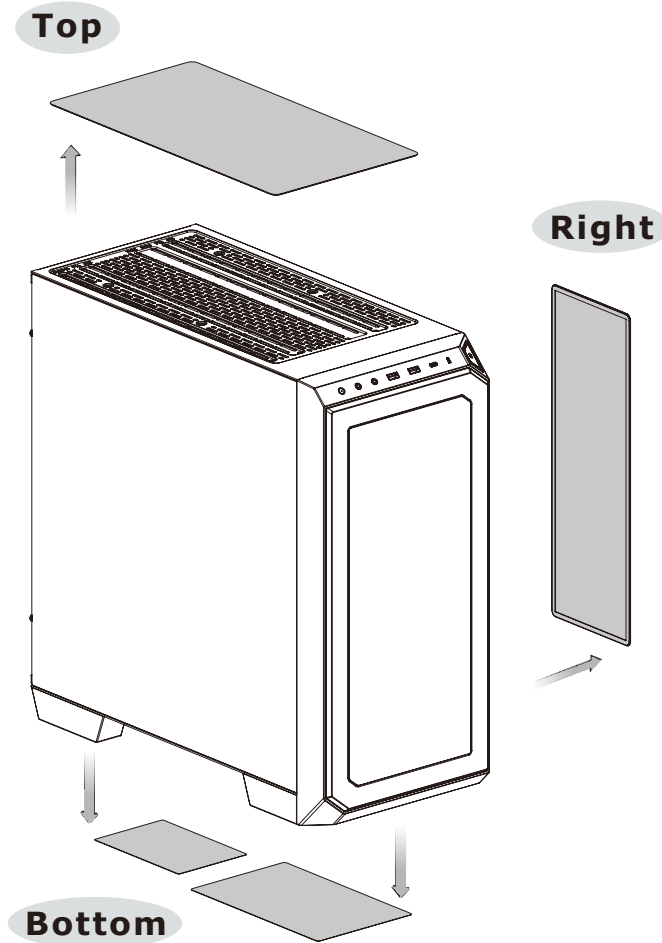
120mm x 3
or
140mm x 3
or
200mm x 2

M/B Side

120mm x 3







I/O Port



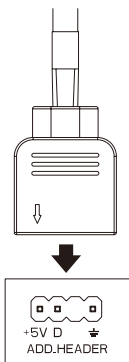
- Wave Mode** Mode 1
- Flow Mode** Mode 2
- RGB Lighting** Mode 3 (Single Color)
- Radar Mode** Mode 4~10
(Red, Yellow, Green, Cyan, Blue, White, Purple)
- Breath Mode** Mode 11~18
(RGB, Red, Yellow, Green, Cyan, Blue, White, Purple)
- Full Lighted Mode** Mode 19
- Single Color** Mode 20~26
(Red, Yellow, Green, Cyan, Blue, White, Purple)
- Light Off** Mode 27

※ Long press on RGB button for 3 seconds, fan will blink twice which now are controlled by MB software. And vice versa.

How to connect MB

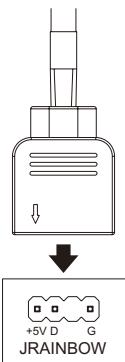
ASUS/ASRock/BIOSTAR

Aura Addressable Strip Header(s)



MSI

JRGB-strip Header(S)



GIGABYTE

AOURS RGB Fusion with Digital LEDs

