

H590 TG ARGB

User's Manual
Benutzerhandbuch
Mode d'emploi
Manual del usuario
Manuale dell'utente
Manual do Utilizador

安裝說明書
用戶手冊
ユーザーズマニュアル
Руководство пользователя
kullanıcı elkitabı
(EEE Yönetmeliğine Uygundur)
คู่มือการใช้งาน



© 2022 Thermaltake Technology Co., Ltd. All Rights Reserved. 2022.06
All other registered trademarks belong to their respective companies. www.thermaltake.com



TT Premium



TT Premium

To continue achieving the corporate mission of delivering the perfect user experience, Thermaltake developed "TT Premium" with the essence of combining supreme quality products with a new logo design. TT Premium is far more than just a guarantee of quality. Behind the name, it represents the passion in DIY, Modding and Thermaltake's desire to be the most innovative brand in the PC hardware market. To satisfy the demand of the high-end PC users, TT Premium follows its core values of Excellent Quality, Unique Design, Diverse Combinations and Boundless Creativity to provide a high performance PC product for every enthusiast. <http://tppremium.com>

Tt LCS-Liquid Cooling Support Certification



Tt LCS Certified is a Thermaltake exclusive certification applied to only products that pass the design and hardcore enthusiasts standards that a true LCS chassis should be held to. The Tt LCS certification was created so that we at Thermaltake can designate to all power users which chassis have been tested to be best compatible with extreme liquid cooling configurations to ensure you get the best performance from the best features and fitment.

Join Tt Community To Receive Benefits



Dear Valued Customer,

Thank you for choosing Thermaltake.

As a new user we value your thoughts and opinions and your feedback is important to us. We at Thermaltake would like to use this opportunity to invite you to join our Community Forums. Register today to start enjoying the full benefits of our community.



Benefits of being a member:

- Quick and responsive user support
- Receive help and advice with new builds
- Keep up to date with new product releases
- Share your thoughts and builds with the community
- Enter monthly contests and giveaways

Brand official website

<http://www.thermaltake.com/>

Global Facebook

<https://www.facebook.com/ThermaltakeInc>

Taiwan Facebook

<http://www.facebook.com/ThermaltakeTW>

Global community forums

<http://community.thermaltake.com>

CONTENTS












Chapter 1. Product Introduction

1.0	Specification	01
1.1	Accessory	02
1.2	Warning and Notice	03

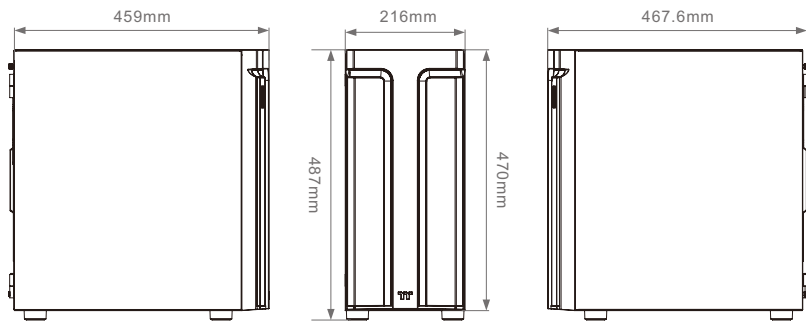
Chapter 2. Installation Guide

2.0	Remove Components	06
2.1	Power Supply Unit (PSU) Installation	07
2.2	Motherboard Installation	08
2.3	HDD Installation	09
2.4	PCI Card Installation	11
2.5	Air Cooling Installation	12
2.6	AIO Liquid Cooling Installation	13
2.7	I/O Connection	14
2.8	Lighting Strip Instruction	15
2.9	Remove Filters	16

Model	H590 TG ARGB
Case Type	Mid Tower
Dimension (H*W*D)	487 x 216 x 467 mm (19.2 x 8.5 x 18.4 inch)
Side Panel	Tempered Glass x 1
Material	SPCC
Cooling System	Front (intake) : 120 x 120 x 25 mm Standard fan (1100 rpm, 22.5 dBA) x 1 Rear (exhaust) : 120 x 120 x 25 mm Standard fan (1100 rpm, 22.5 dBA) x 1
Drive Bays	2 x 3.5", 2 x 2.5" or 4 x 2.5"
Expansion Slots	7
Motherboards	6.7" x 6.7" (Mini ITX), 9.6" x 9.6" (Micro ATX), 12" x 9.6" (ATX), 12" x 13"(E-ATX)
I/O Port	USB 3.0 x 2, HD Audio x 1, LED Button x 1
PSU	Standard PS2 PSU (optional)
Fan Support	Front: 3 x 120 mm, 2 x 120 mm, 1 x 120 mm 3 x 140 mm, 2 x 140 mm, 1 x 140 mm Top: 3 x 120 mm, 2 x 120 mm, 1 x 120 mm 2 x 140 mm, 1 x 140 mm Rear: 1 x 120 mm
Radiator Support	Front: 1 x 360 mm, 1 x 240 mm, 1 x 120 mm 1 x 280 mm, 1 x 140 mm Top: 1 x 360 mm, 1 x 240 mm, 1 x 120 mm 1 x 280 mm, 1 x 140 mm Rear: 1 x 120 mm
Clearance	CPU cooler height limitation: 160 mm VGA length limitation: 360 mm PSU length limitation: 180mm

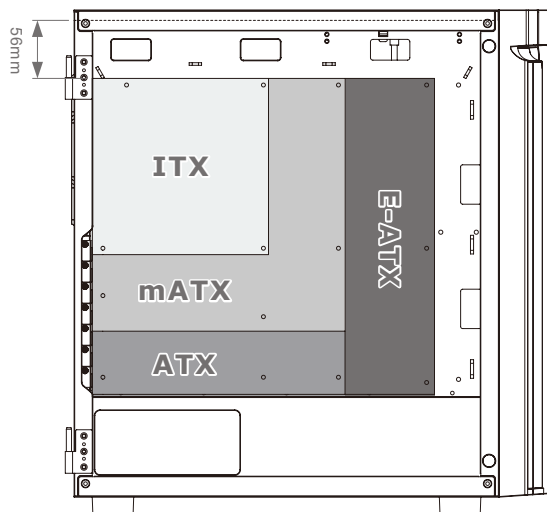
Figure	Parts Name	Q'ty	Used for
	Stand-off #6-32 x 6.5mm	2	Motherboard
	Screw #6-32 x 6mm	4	Power
	Screw M3 x 5mm	24	SSD / 2.5" HDD / Motherboard
	Screw #6-32 x 10mm	4	3.5" HDD
	Screw M3 x 10mm	4	SSD / 2.5" HDD
	HDD / SSD Rubber	4	3.5" HDD / 2.5" HDD
	Net Setter	1	Motherboard Stand-off
	Screw Ø5 x 10mm	4	Case Fan
	Spacer Support 6.5mm	1	E-ATX Motherboard
	Cable Tie	5	Cable Management
	Buzzer	1	Motherboard Alarm

Chassis dimension

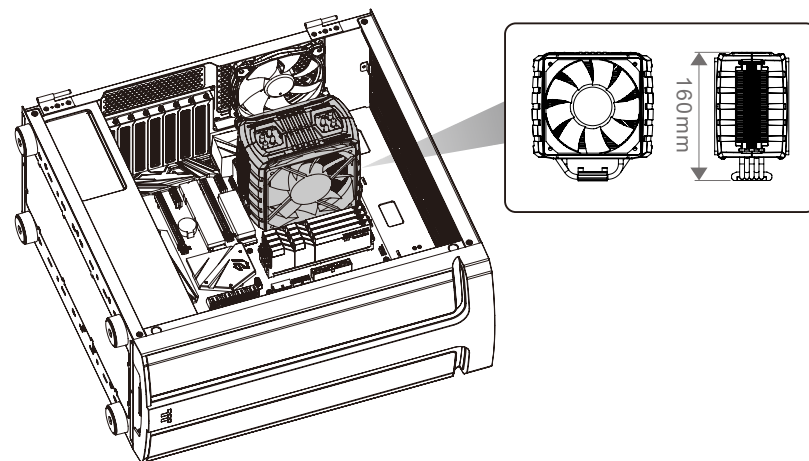


Motherboard Compatibility: ITX / mATX / ATX / E-ATX
(Up to 330.2mm wide)

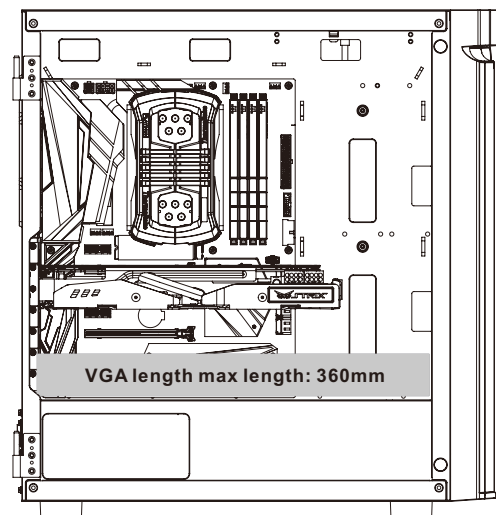
* The clearance between M/B to top panel: 56mm



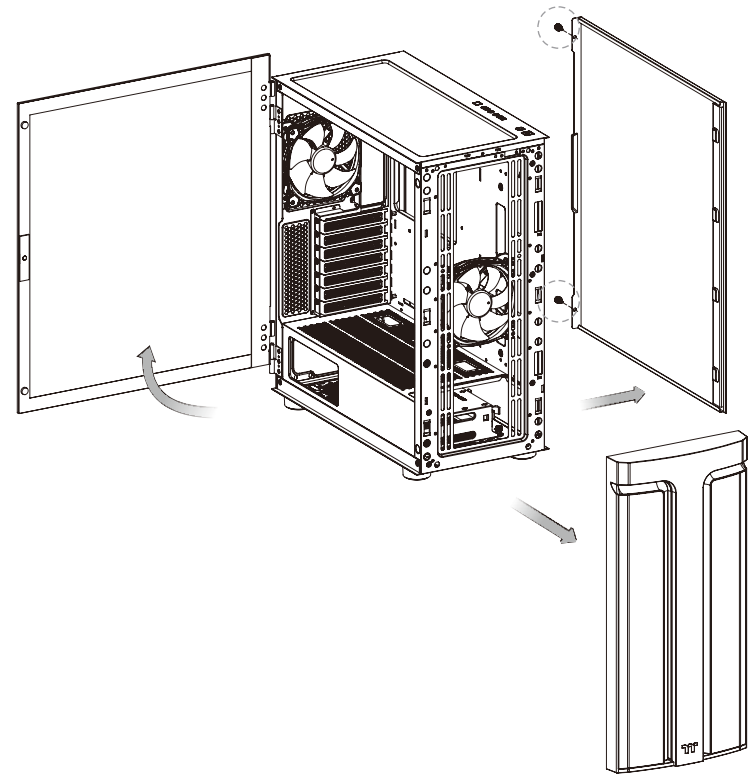
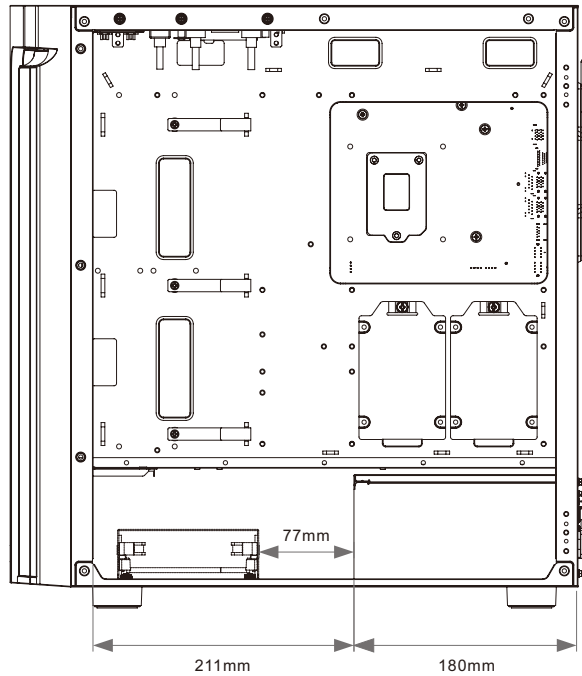
CPU cooler max height: 160mm



VGA length max length: 360mm

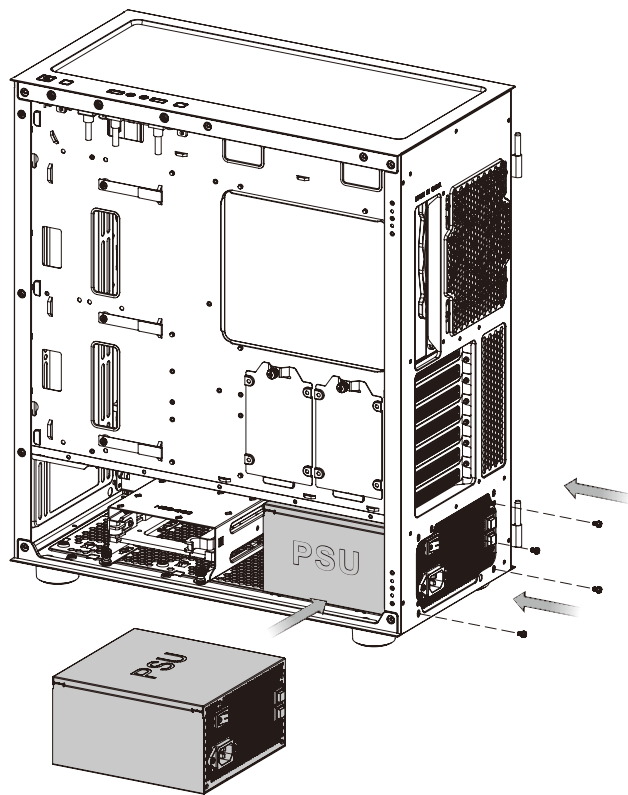


PSU max length: 180mm

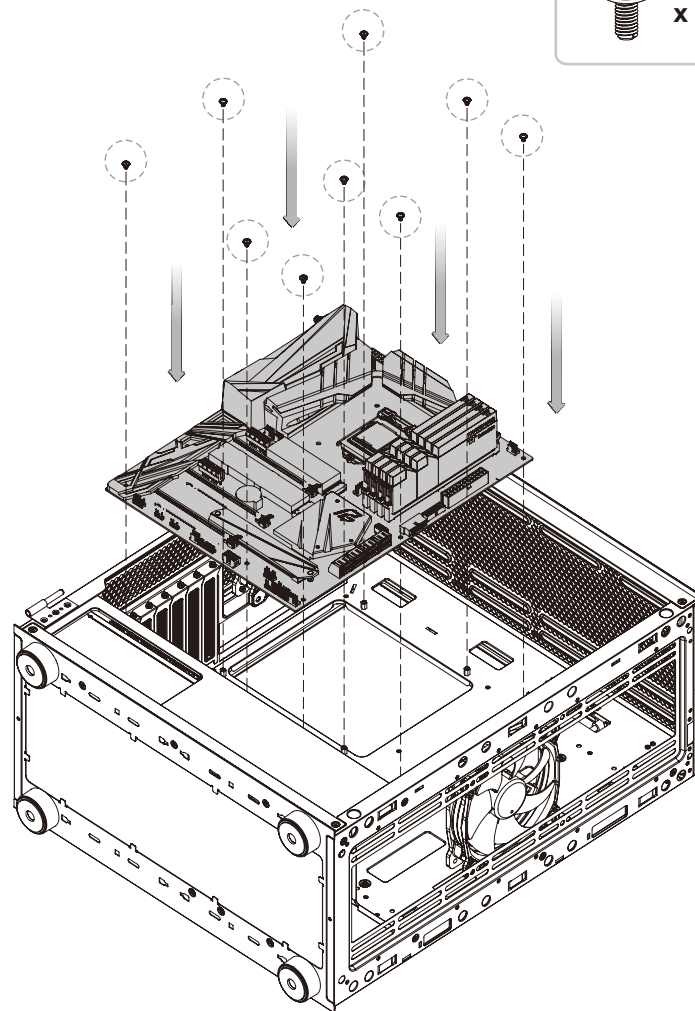


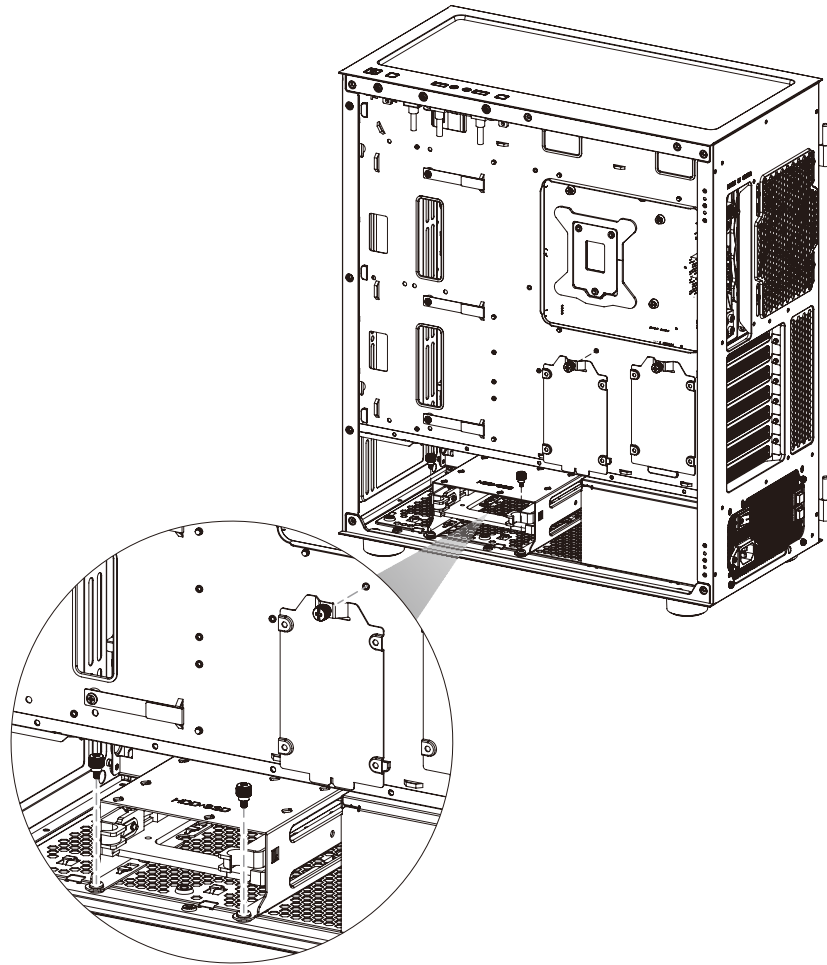


x 4

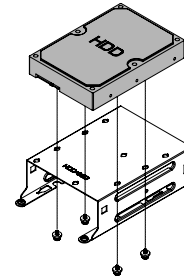
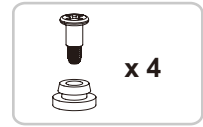


x 9

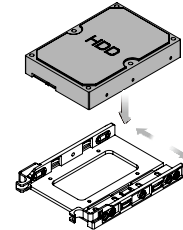




3.5" HDD

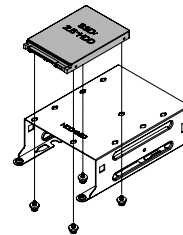
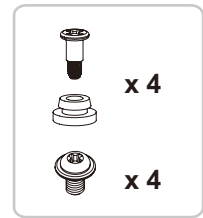


A Screw #6-32 x 10mm + HDD Rubber

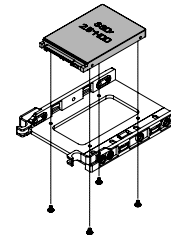


B Toolless HDD Tray

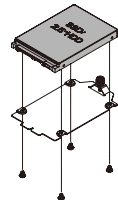
SSD / 2.5" HDD



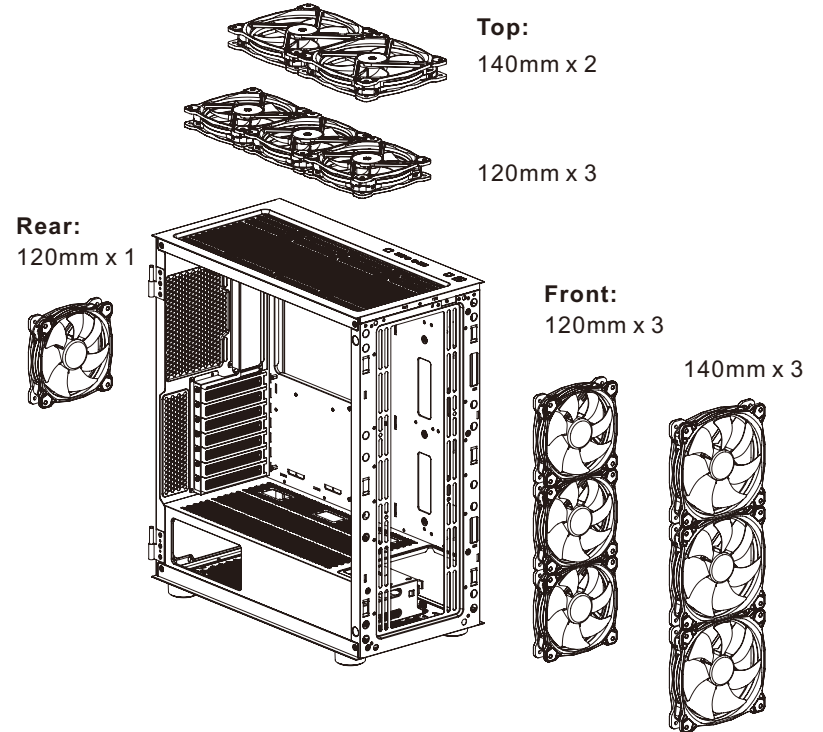
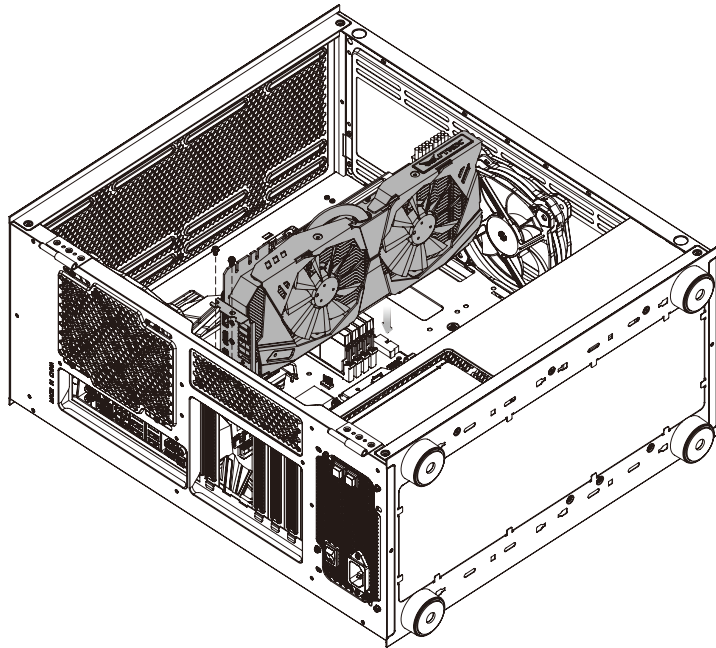
A Screw M3 x 10mm + HDD Rubber

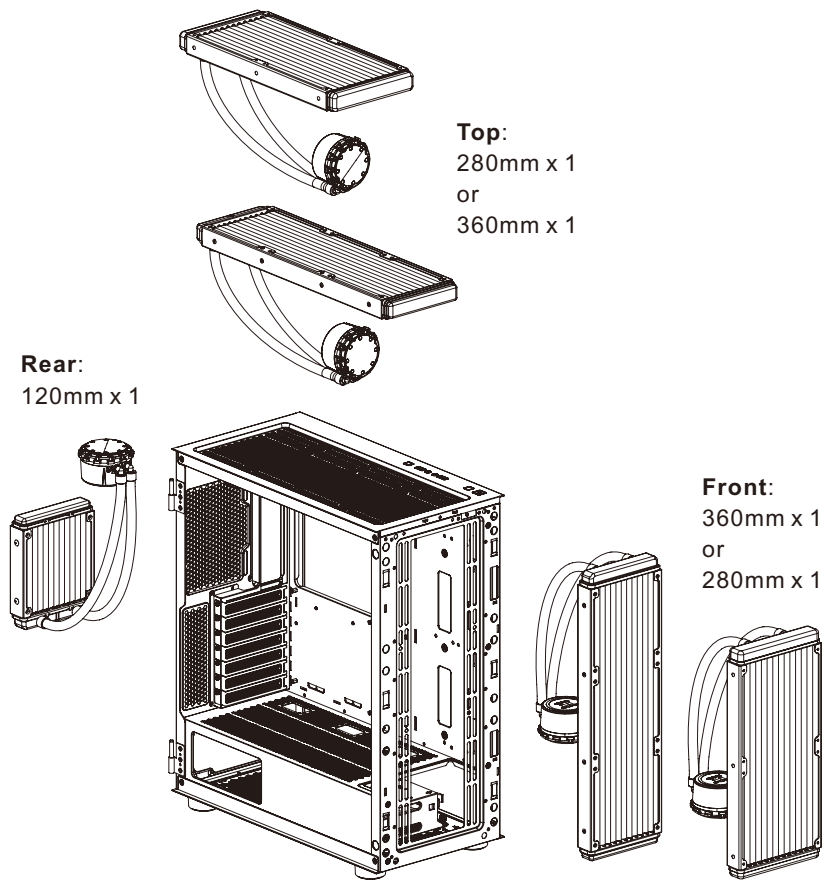


B Screw M3 x 5mm

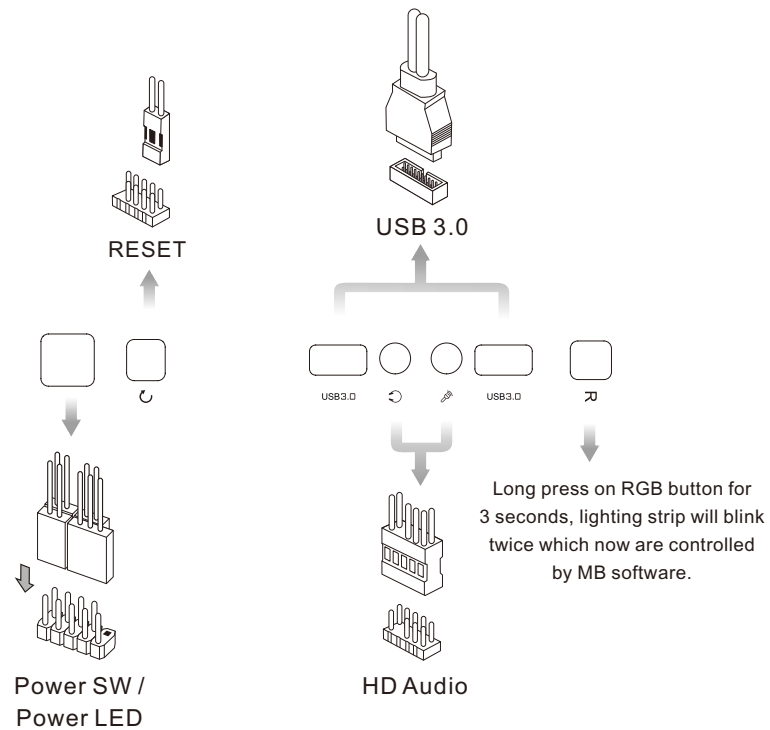


C Screw M3 x 5mm

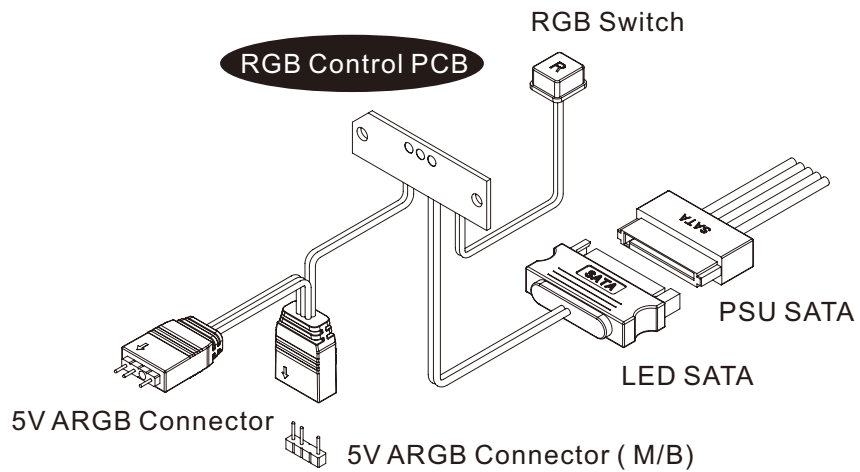




I/O Port



Lighting Strip Connection



Lighting Strip LED Mode

1. Rainbow
2. Breath
3. Gradient
4. Blink Transition
5. Scrolling
6. Volume Pulse
7. Light Blocks
8. Static Single Color (Red, Green, Blue, Yellow, Sky Blue, Purple, White)

