



MPG Series

PC Case

MPG GUNGNIR 300R AIRFLOW

MPG GUNGNIR 300P AIRFLOW

MPG GUNGNIR 300R AIRFLOW WHITE

MPG GUNGNIR 300P AIRFLOW LITE

User Guide

Contents

| | |
|---|----|
| Specifications..... | 4 |
| Accessories (300R) | 7 |
| Accessories (300P) | 8 |
| Case Features (300R) | 9 |
| Case Features (300P)..... | 10 |
| Side and Front View | 11 |
| I/O and Buttons..... | 12 |
| Side Panel Removal..... | 13 |
| Front Bezel Removal | 14 |
| GPU Holder Removal..... | 15 |
| Cable Cover Removal..... | 16 |
| Motherboard Installation..... | 17 |
| Horizontal Graphics Card Installation..... | 18 |
| Vertical Graphics Card Installation (1) | 19 |
| Vertical Graphics Card Installation (2) | 20 |
| SSD Installation | 21 |
| HDD Installation..... | 22 |
| PSU Installation | 23 |
| Top Panel I/O Connection | 24 |
| Control Board Connection | 25 |
| Graphics Card Limitation..... | 27 |
| GPU Holder Installation..... | 28 |
| GPU Holder Position | 29 |
| GPU Holder Adjustment | 30 |
| GPU Support Arm Removal..... | 31 |

Fan Compatibility and Setup.....32
Radiator Compatibility and Setup.....33
General Information34

Specifications

Comparison of Key Differences

| | | | | |
|-------------------------------|--|--|--|--|
| Product Name | MPG GUNGNIR 300R AIRFLOW | MPG GUNGNIR 300R AIRFLOW WHITE | MPG GUNGNIR 300P AIRFLOW | MPG GUNGNIR 300P AIRFLOW LITE |
| Color | Black | White | Black | Black |
| Fan Configuration | Front: 3 x 120mm PWM ARGB Fans Rear: 1 x 120mm PWM ARGB Fan | Front: 3 x 120mm PWM ARGB Fans Rear: 1 x 120mm PWM ARGB Fan | Front: 3 x 120mm PWM Fans (non-ARGB) Rear: 1 x 120mm PWM Fan (non-ARGB) | Front: 3 x 120mm PWM Fans (non-ARGB) Rear: 1 x 120mm PWM Fan (non-ARGB) |
| LED Switch Button | Yes | Yes | No | No |
| Horizontal GPU Bracket | Pre-installed | Pre-installed | Included in accessory box | Included in accessory box |
| Vertical GPU Bracket | Included in accessory box | Included in accessory box | Pre-installed | Pre-installed |
| PCIe4.0x16 Riser Cable | Not included | Not included | Pre-installed | Not included |

Basic Information

| | |
|------------------------------------|---|
| Case Type | Mid Tower |
| Dimensions (DxWxH) | 505 x 235 x 510mm |
| Supported Motherboard Sizes | EATX*, ATX, Micro-ATX, Mini-ITX * EATX up to 280 x 305mm (12"x10.9") |

Cooling Fan Support

| | |
|--------------|------------------------|
| Top | 3 x 120mm or 2 x 140mm |
| Front | 3 x 120mm or 3 x 140mm |
| Rear | 1 x 120 / 140mm |

| | |
|-----------------------------|--|
| PSU Shroud | 2 x 120mm |
| Cable Cover | 1 x 80mm* / 1 x 120mm * Pre-installed with an 80 mm fan in the 300P series. |
| Vertical GPU Bracket | 2 x 60mm** (thickness: 15mm) ** pre-installed in the 300P series. |

Expansion Slots

| | |
|-------------------------------|---|
| Horizontal GPU Bracket | 7 slots |
| Vertical GPU Bracket | 4 slots & equipped with 2 x 6015 fans* * 6015 fans are optional for 300R and pre-installed for 300P. |

Drive Bays

| | |
|------------------------|---|
| 2.5" SSD | 4 (up to 8)* * Only supports up to 7 when using EATX motherboard |
| Combo 3.5"/2.5" | 2 |

I/O Ports and Buttons

| | |
|--------------------|--|
| USB Ports | 2 x USB 3.2 Gen1 Type-A, 1 x USB 3.2 Gen2x2 Type-C |
| Audio Ports | 1 x Audio jack, 1 x Micphone jack |
| Buttons | 1 x Reset button, 1 x Power button, 1 x LED switch button (300R) |

Chassis Clearances










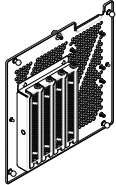
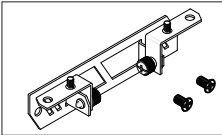
| | |
|----------------------------------|---|
| Maximum CPU Cooler Height | 175mm |
| Maximum GPU Length | 300R series: 360mm (GPU holder installed at right front) 340mm (GPU holder installed at right rear) 300P series: 338mm* (GPU holder installed at right front or right rear) * After removing the pre-installed 80mm fan, the maximum GPU length of the 300P series is the same as that of the 300R series. |
| Maximum GPU Width | 142mm (Horizontal installed) 150mm (Vertical installed) |
| Maximum GPU Thickness | 80mm |

| | |
|-------------------------|---------------------------------------|
| Radiator Support | Front: 360mm, Top: 360mm, Rear: 140mm |
| PSU Support | Above 220mm |


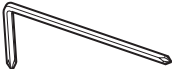






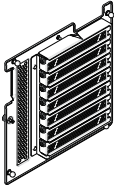

Materials

| | |
|------------------------|---|
| Steel Thickness | 0.8mm |
| Tempered Glass | 3mm |
| Front Bezel* | Perforated Metal Mesh + ABS * Removable for easy cleaning, with Ø1mm mesh holes that do not require a dust filter. |
| Top Bezel** | Metal ** Non-removable for airflow optimization |
| Dust Filter | Top: Magnetic filter Side: Magnetic filter Bottom: Plastic pull-out filter |

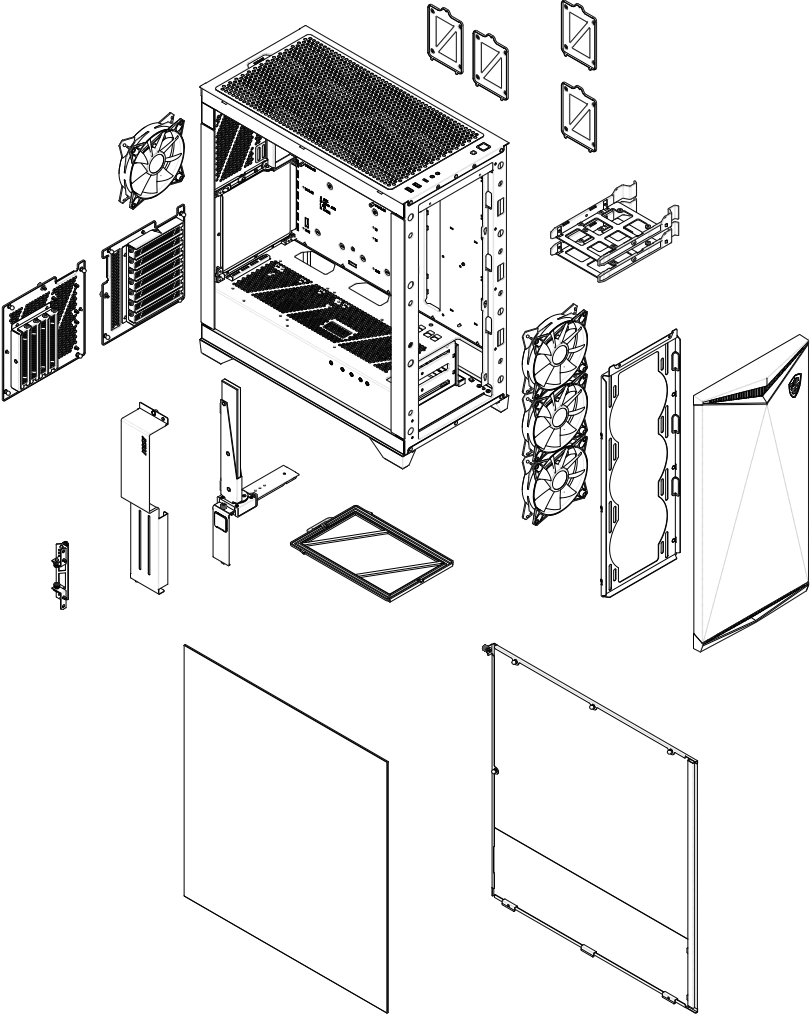
Accessories (300R)

| Item | Name / Q'ty | Used for |
|---|---|---|
|  | Cable ties x10 | Cable management |
|  | L-shaped Screwdriver x1 | Securing vertical graphics card & bracket |
|  | Screw M3 5mm x35 | Motherboard / SSD / PCIe riser cable |
|  | Screw #6-32 6mm x4 | Securing PSU |
|  | Screw #6-32 6mm x4 | Securing HDD |
|  | Screw #6-32 7.5mm x8 | Securing liquid cooling radiator |
|  | Screw #6-32 30mm x12 | Securing liquid cooling radiator fan |
|  | Stand-off #6-32 6.5mm x2 | PCIe riser cable stand |
|  | Stand-off Mounting Tool x 1 | Securing motherboard / PCIe riser cable |
|  | Vertical graphics card bracket x1 | Securing vertical graphics card |
|  | 80mm/120mm fan mounting kit x1 [Bracket x1, Screw Ø5 8mm x4, Screw Ø9.5 14.5mm x2] | Securing 80mm/120mm fan |

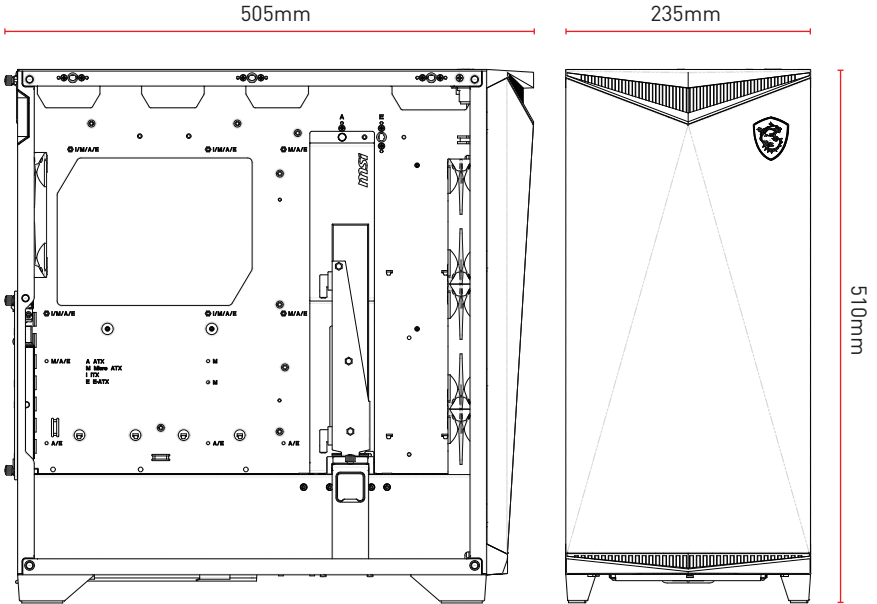
Accessories (300P)

| Item | Name / Q'ty | Used for |
|---|--|---|
|  | Cable ties x10 | Cable management |
|  | L-shaped Screwdriver x1 | Securing vertical graphics card & bracket |
|  | Screw M3 5mm x35 | Motherboard / SSD / PCIe riser cable |
|  | Screw #6-32 6mm x4 | Securing PSU |
|  | Screw #6-32 6mm x4 | Securing HDD |
|  | Screw #6-32 7.5mm x8 | Securing liquid cooling radiator |
|  | Screw #6-32 30mm x12 | Securing liquid cooling radiator fan |
|  | Stand-off Mounting Tool x 1 | Securing motherboard / PCIe riser cable |
|  | Horizontal graphics card bracket x1 | Securing horizontal graphics card |
|  | Screw Ø5 8mm x2 | Securing 80mm/120mm fan |

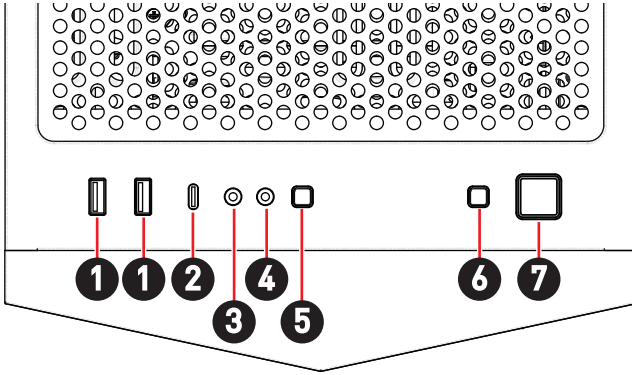
Case Features (300R)



Side and Front View

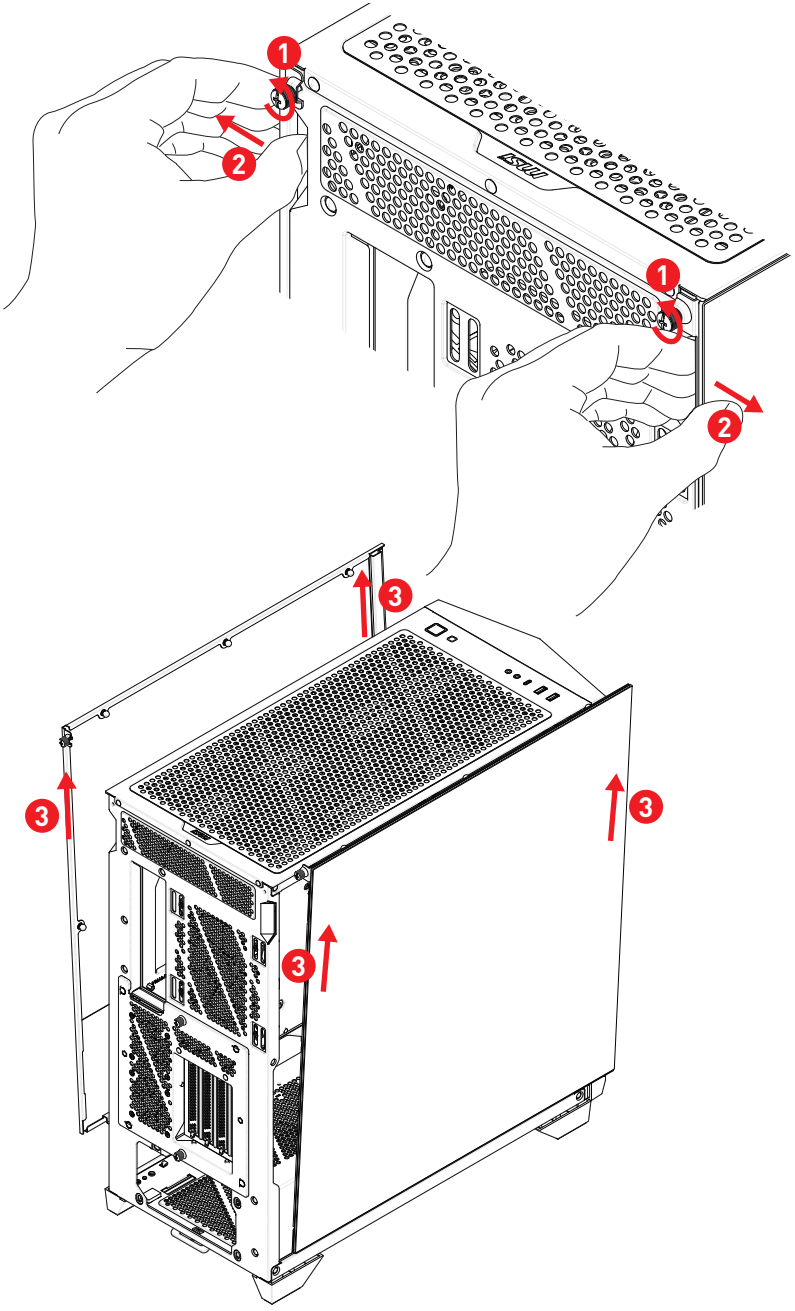


I/O and Buttons

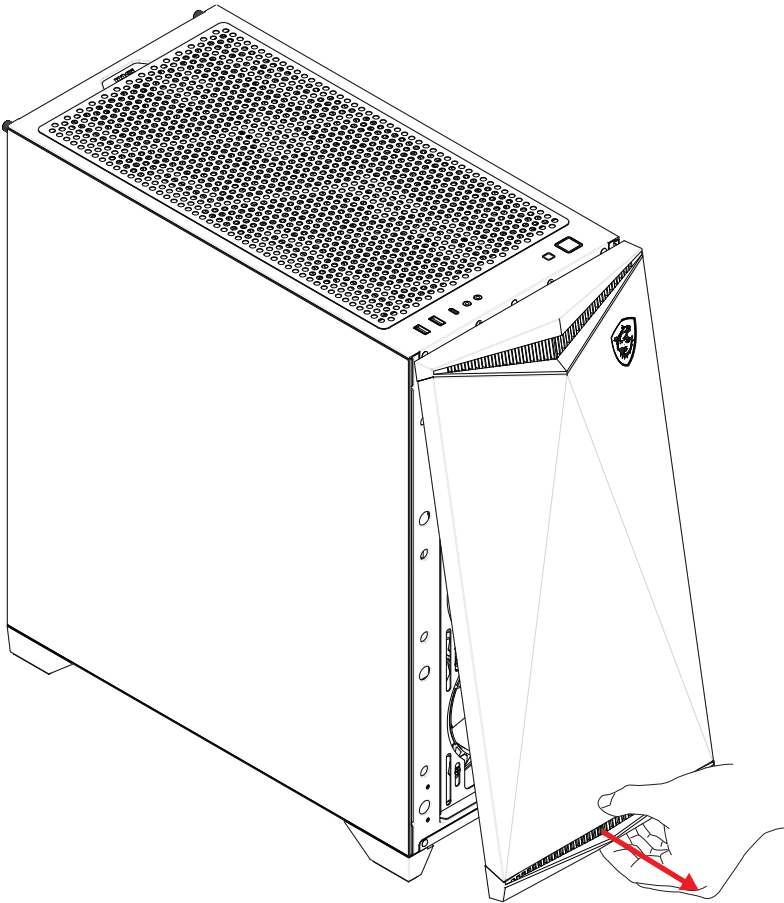


| Item | Description |
|------|---|
| 1 | USB 3.2 Gen 1 5Gbps Type-A port |
| 2 | USB 3.2 Gen 2 10Gbps Type-C port |
| 3 | Microphone jack |
| 4 | Audio jack |
| 5 | LED switch button (only available on 300R series) |
| 6 | Reset button |
| 7 | Power button |

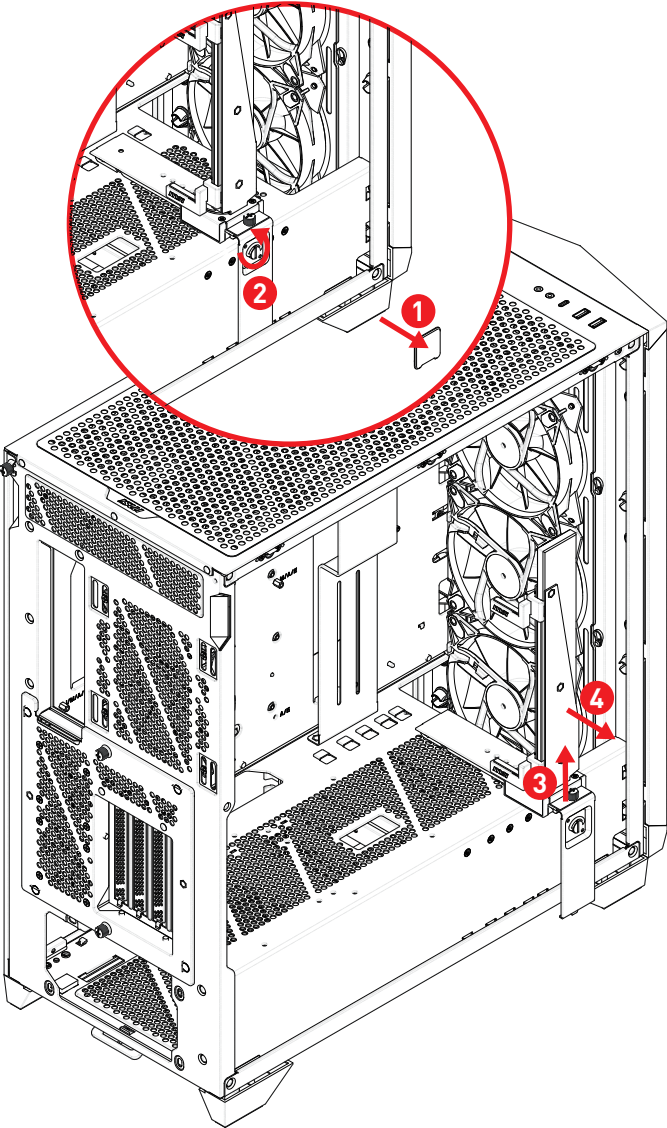
Side Panel Removal



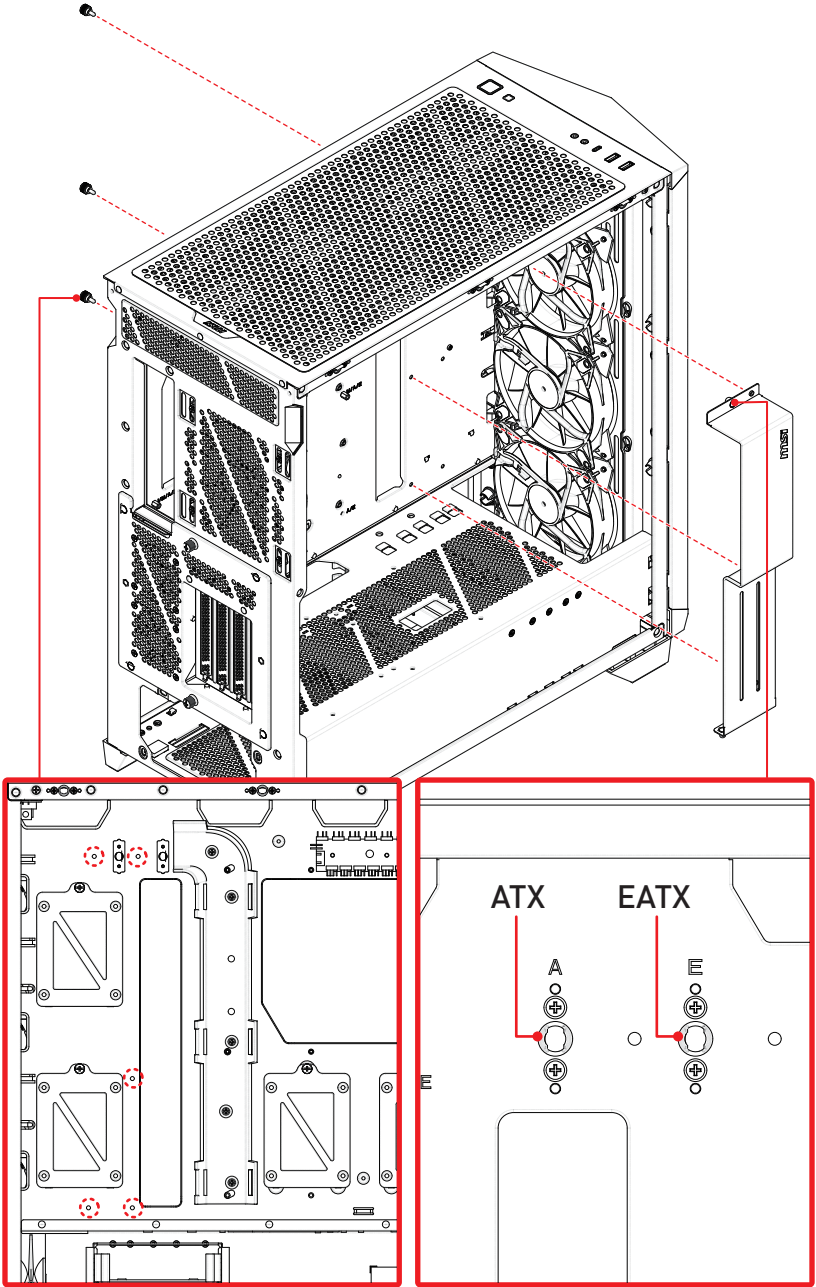
Front Bezel Removal



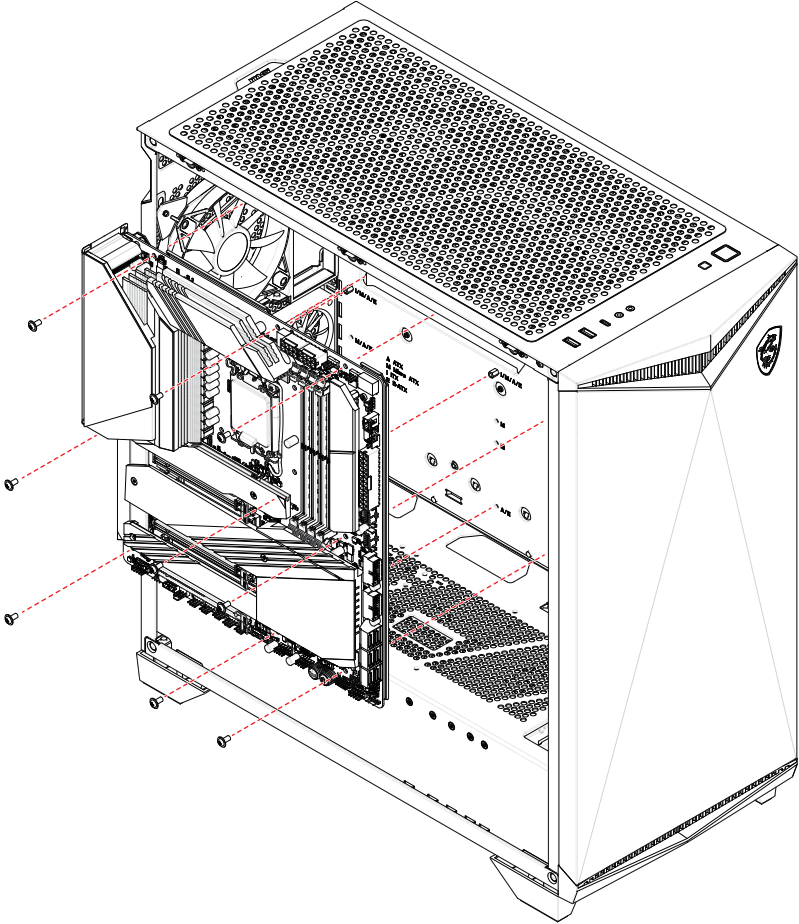
GPU Holder Removal



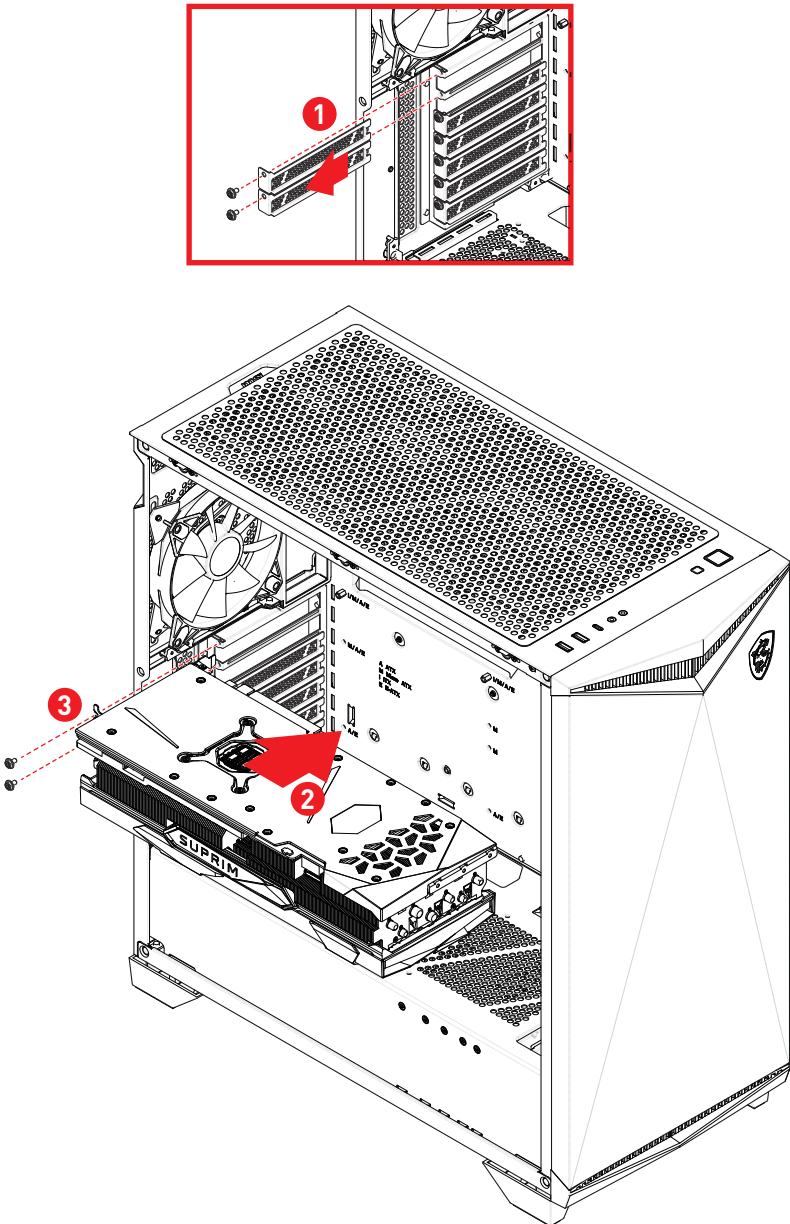
Cable Cover Removal



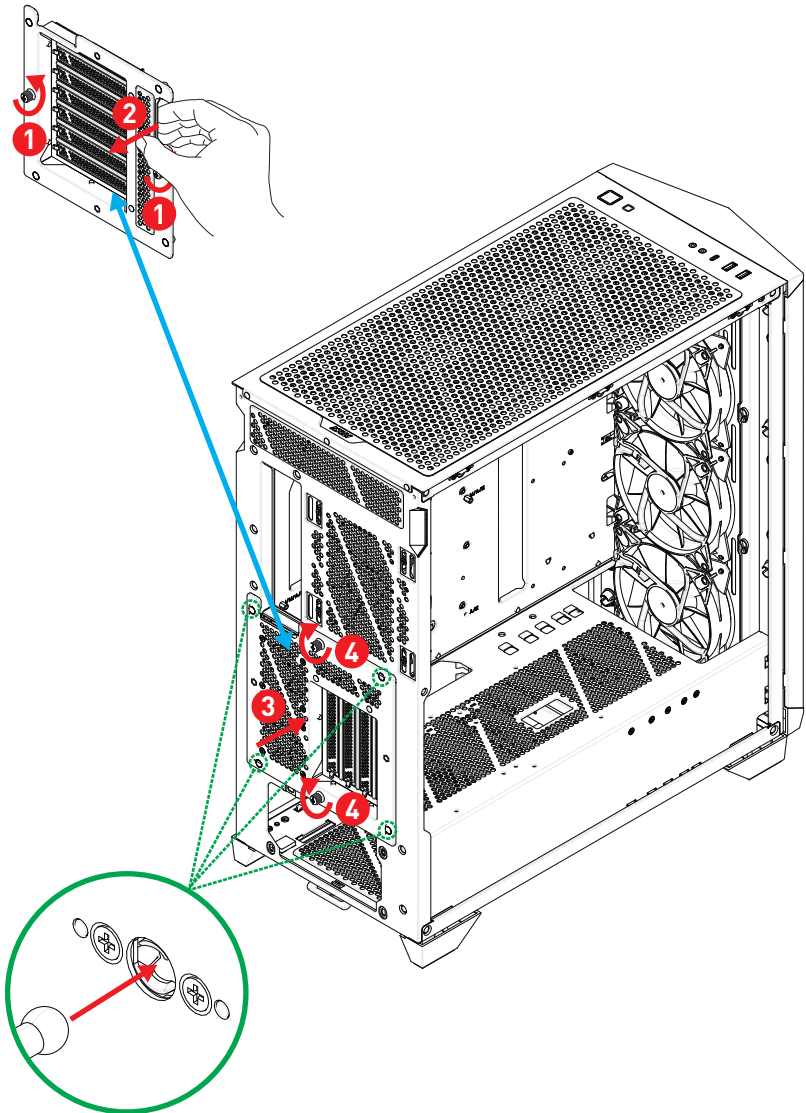
Motherboard Installation



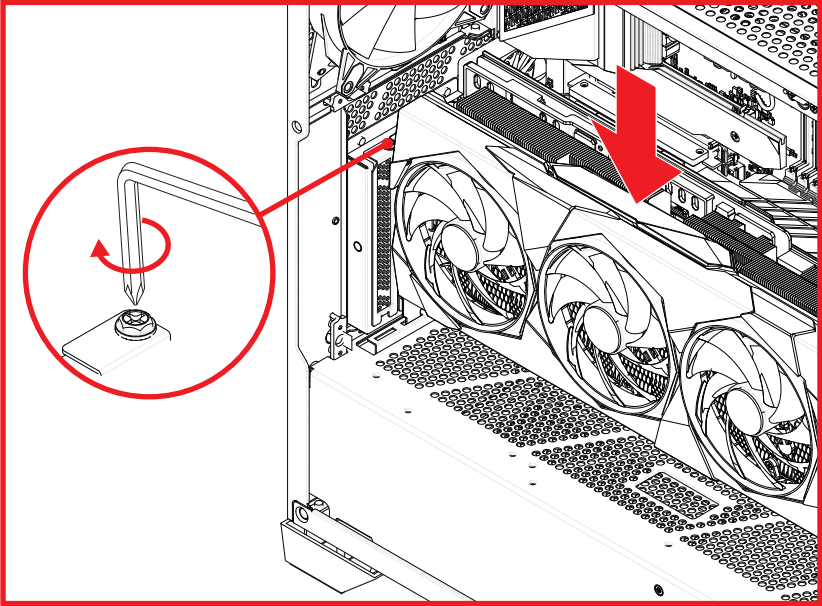
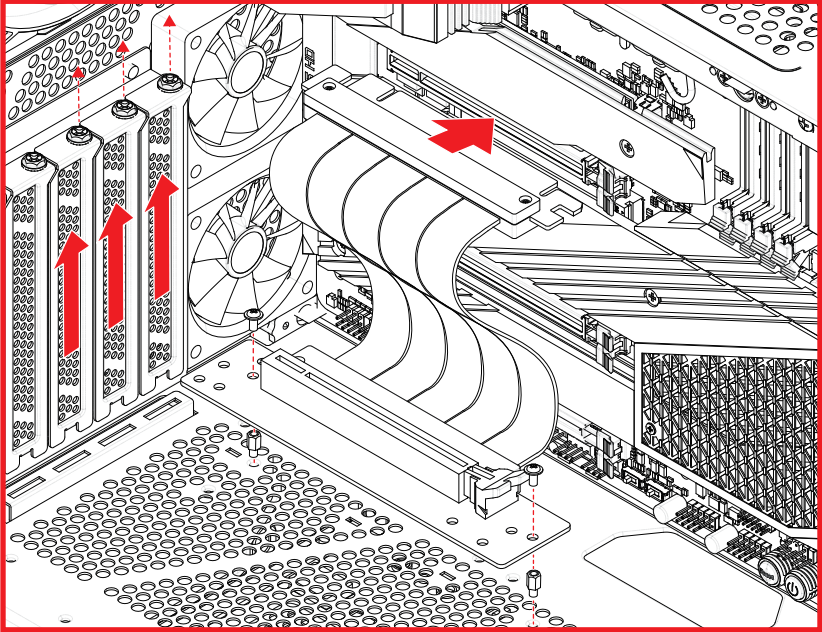
Horizontal Graphics Card Installation



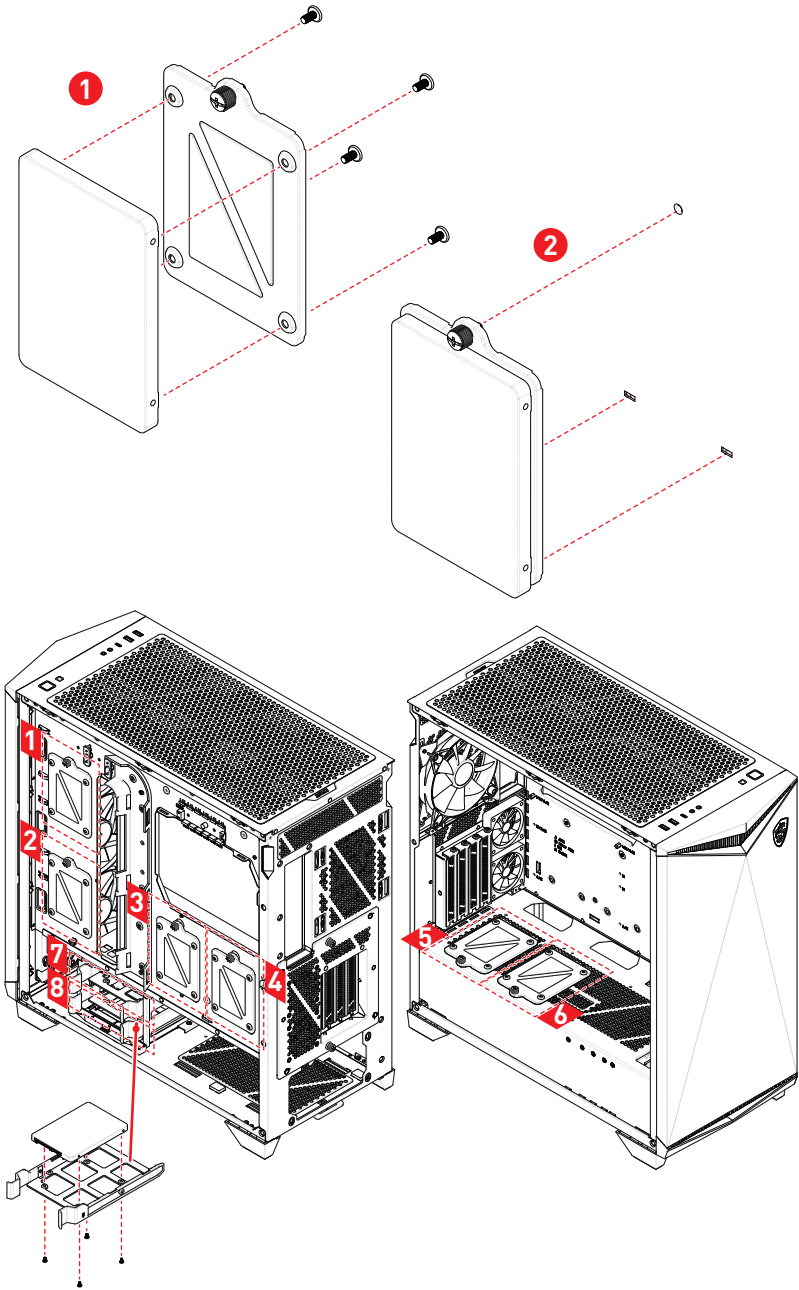
Vertical Graphics Card Installation (1)



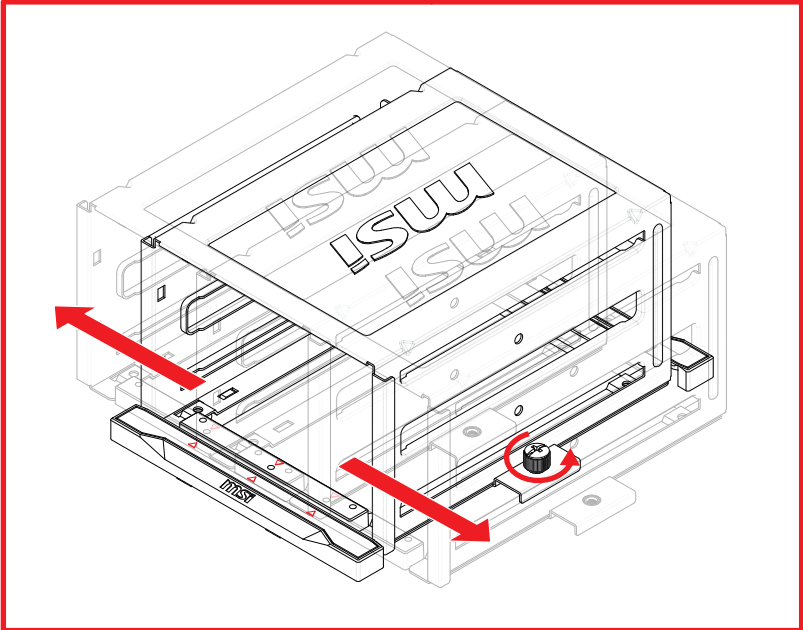
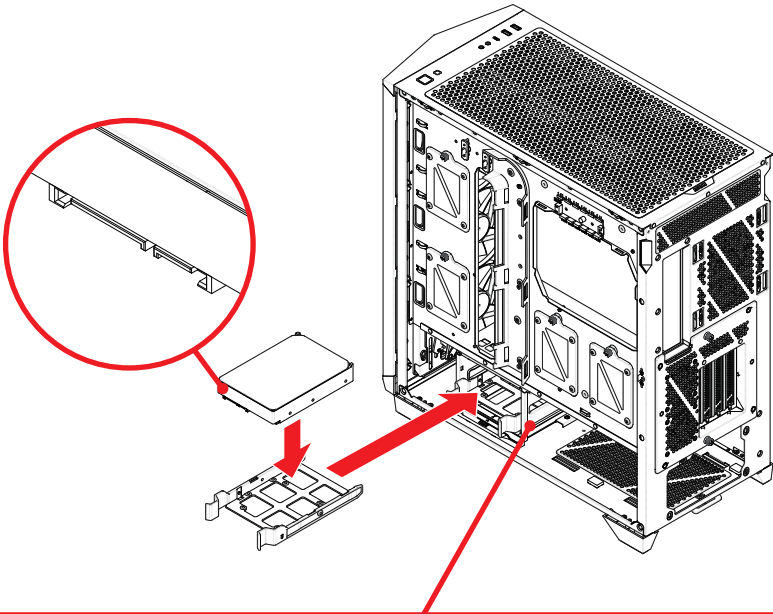
Vertical Graphics Card Installation (2)



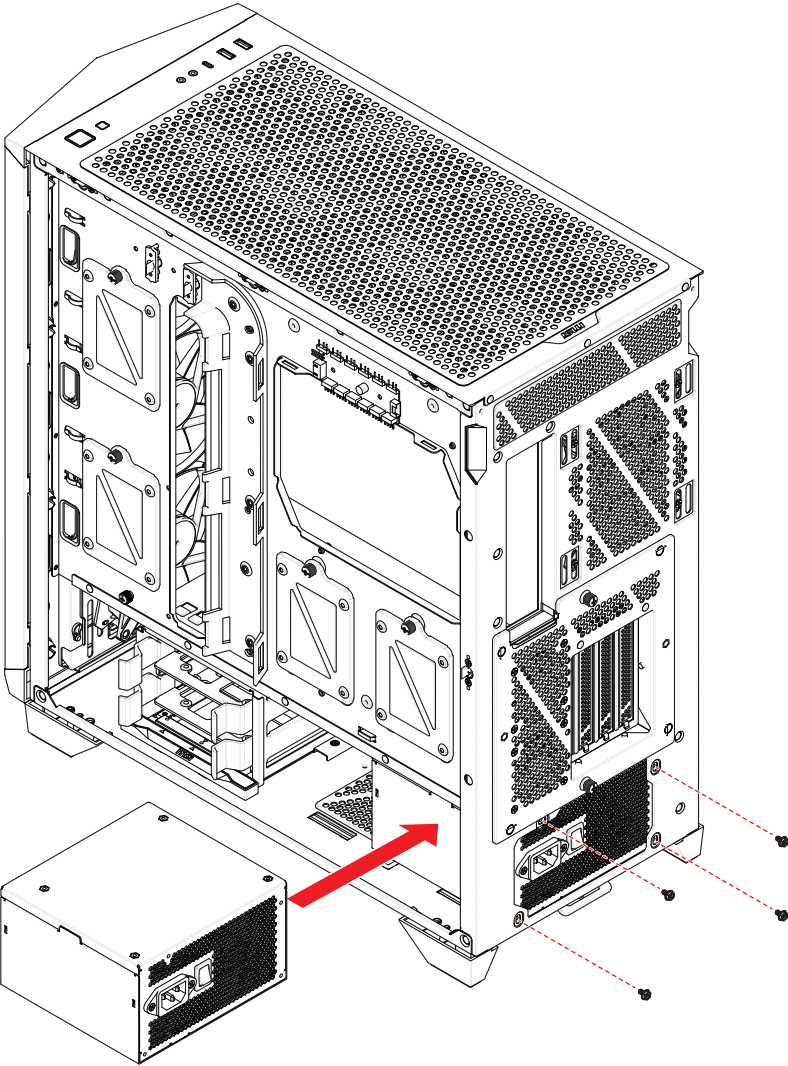
SSD Installation



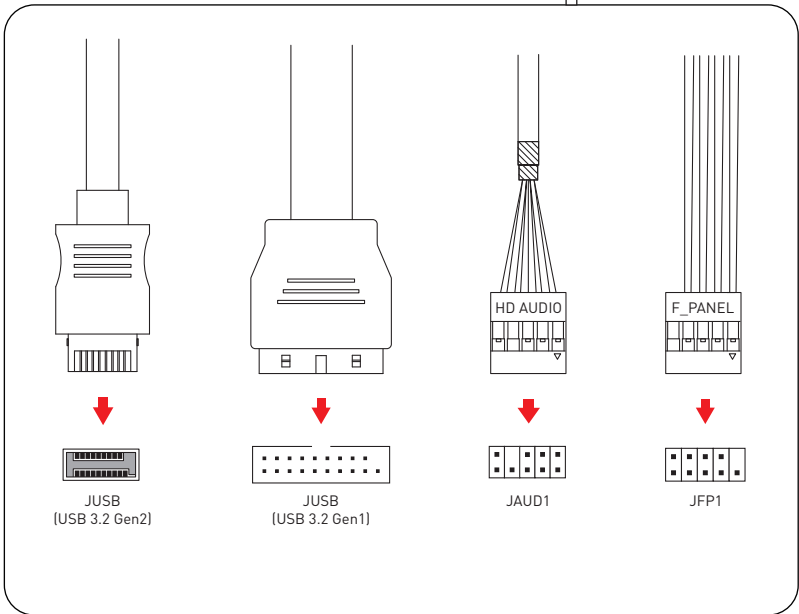
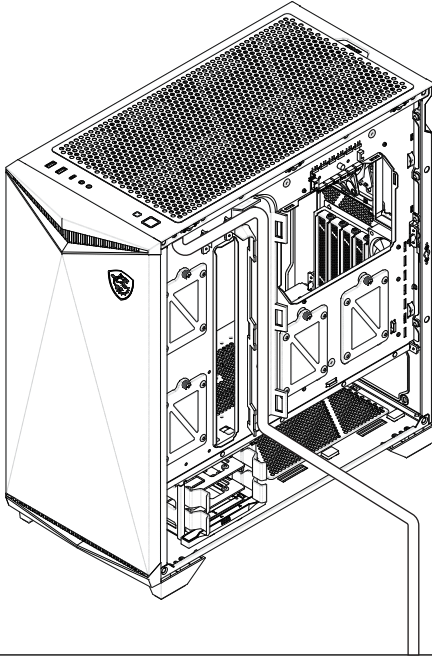
HDD Installation



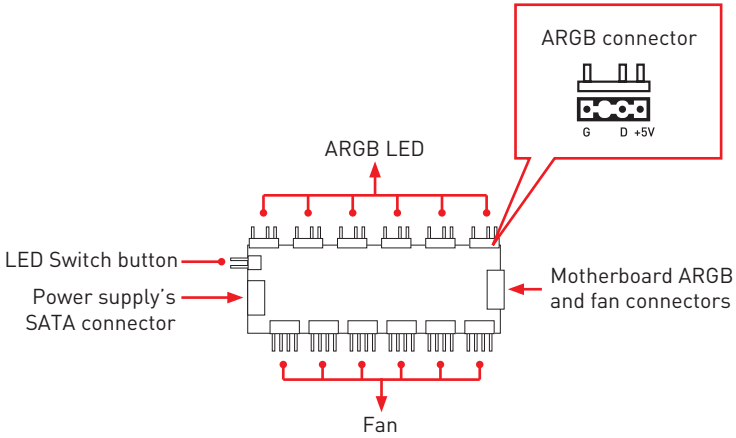
PSU Installation



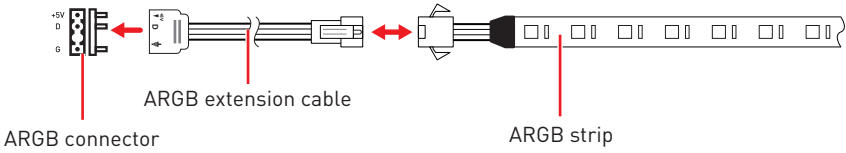
Top Panel I/O Connection



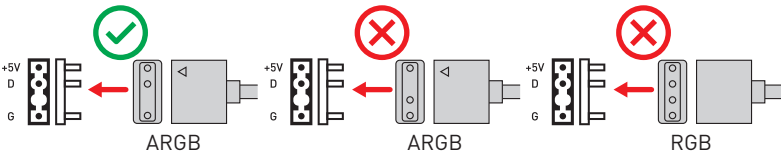
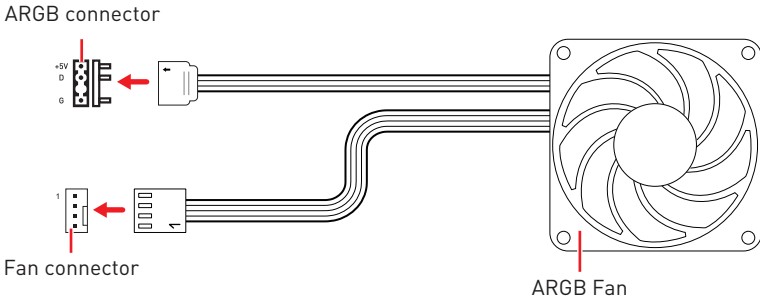
Control Board Connection



Addressable RGB LED Strip Connection



Addressable RGB LED Fan Connection



IMPORTANT

- Please always turn off the power supply and unplug the power cord from the power outlet before installing or removing the ARGB LED Strip.
- Supports a maximum of 156 LEDs. Exceeding this limit may result in overheating, abnormal colors, or malfunctions.
- Only compatible with 4-pin PWM fans.
- Please ensure all cables are securely connected before powering on.

LED Switch Button Function

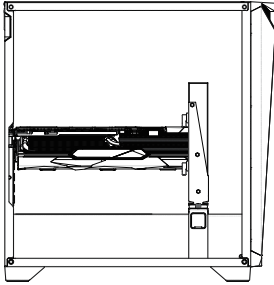
- Single press to toggle between LED effects.
- Long press for three seconds to sync with the motherboard.
- Long press for six seconds to turn off the lights. The lights will flash four times. To turn the lights back on, press the button once.

LED Effect Sequence

After pressing the LED Switch button, the LED effect sequence is as follows:

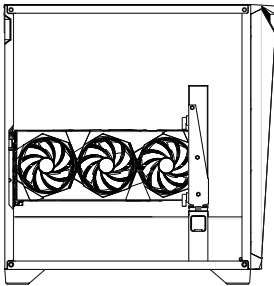
| | |
|----|--|
| 1 | Solid red |
| 2 | Solid blue |
| 3 | Solid yellow |
| 4 | Solid green |
| 5 | Solid cyan |
| 6 | Solid orange |
| 7 | Solid purple |
| 8 | Solid white |
| 9 | 8-color running effect (red, blue, yellow, green, cyan, orange, purple, white) |
| 10 | 8-color breathing transition effect (red, blue, yellow, green, cyan, orange, purple, white) |
| 11 | 8-color flowing effect (red, blue, yellow, green, cyan, orange, purple, white) |
| 12 | Green fading |
| 13 | Blue fading |
| 14 | Red fading |
| 15 | Dual-color running effect (red-blue, blue-yellow, yellow-green, green-cyan, cyan-orange, orange-purple, purple-white, white-red) |
| 16 | Rainbow color cycling (Default) |

Graphics Card Limitation



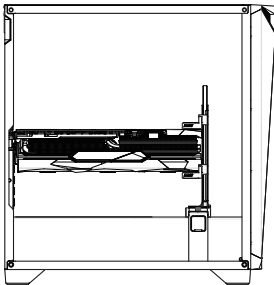
Horizontal GPU and GPU holder at right front Installation

- GPU Length:
 - Maximum up to 360mm (300R)
 - Maximum up to 338mm (300P)
- GPU Width (Horizontal): Maximum up to 142mm
- GPU Thickness: Maximum up to 80mm



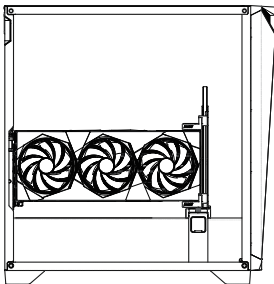
Vertical GPU and GPU holder at right front Installation

- GPU Length:
 - Maximum up to 360mm (300R)
 - Maximum up to 338mm (300P)
- GPU Width (Vertical): Maximum up to 150mm
- GPU Thickness: Maximum up to 80mm



Horizontal GPU and GPU holder at right rear Installation

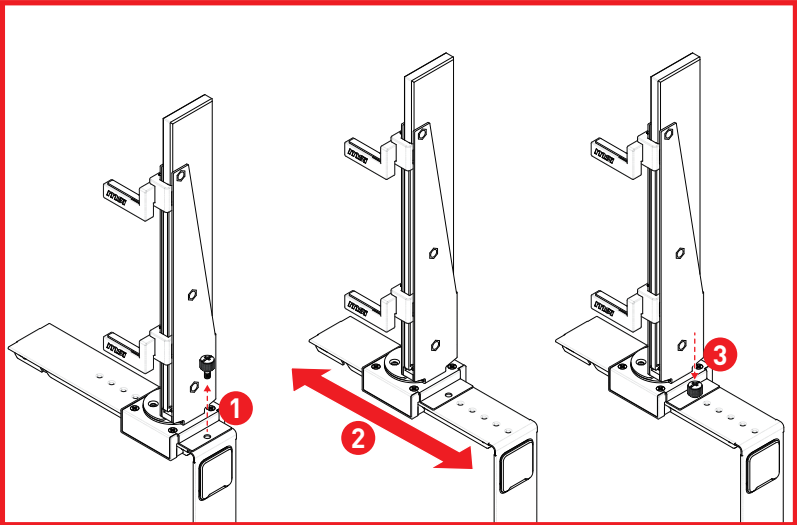
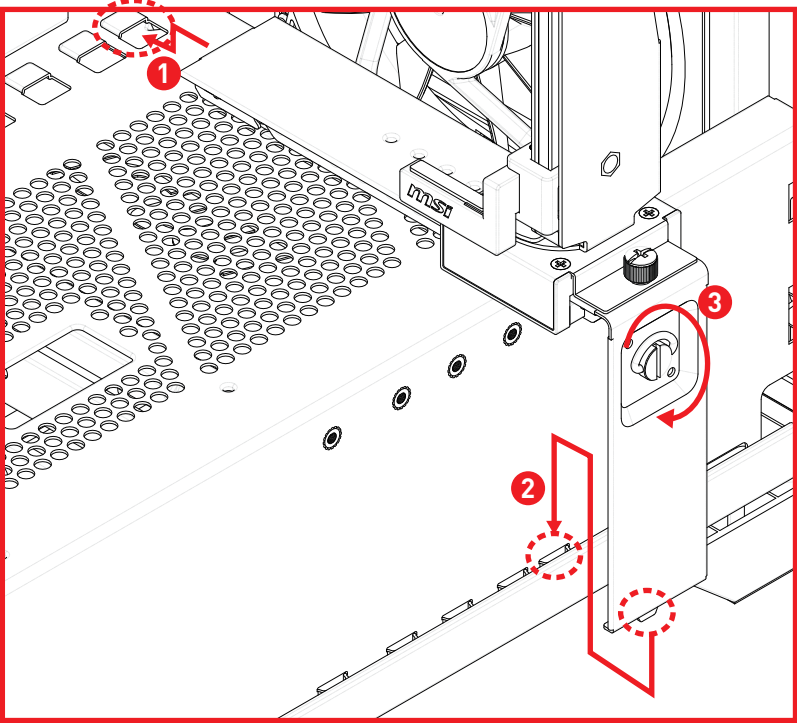
- GPU Length:
 - Maximum up to 340mm (300R)
 - Maximum up to 338mm (300P)
- GPU Width (Horizontal): Maximum up to 142mm
- GPU Thickness: Maximum up to 80mm



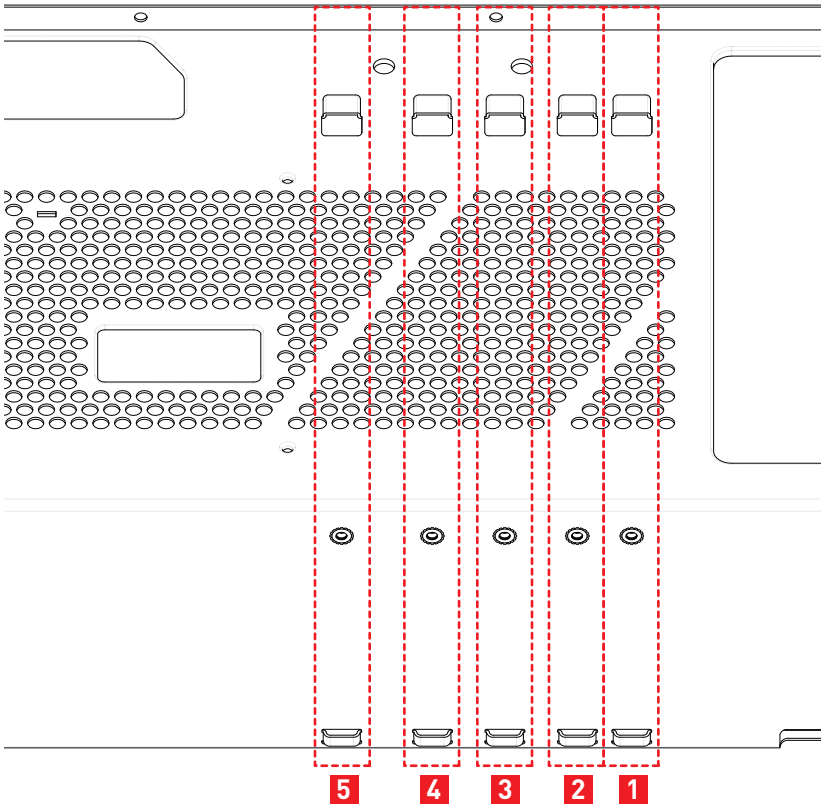
Vertical GPU and GPU holder at right rear Installation

- GPU Length:
 - Maximum up to 340mm (300R)
 - Maximum up to 338mm (300P)
- GPU Width (Vertical): Maximum up to 150mm
- GPU Thickness: Maximum up to 80mm

GPU Holder Installation

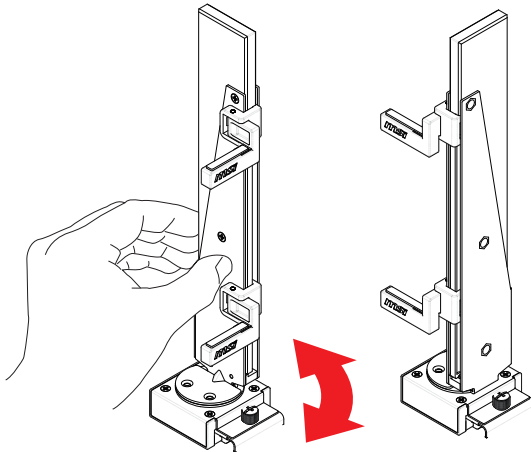
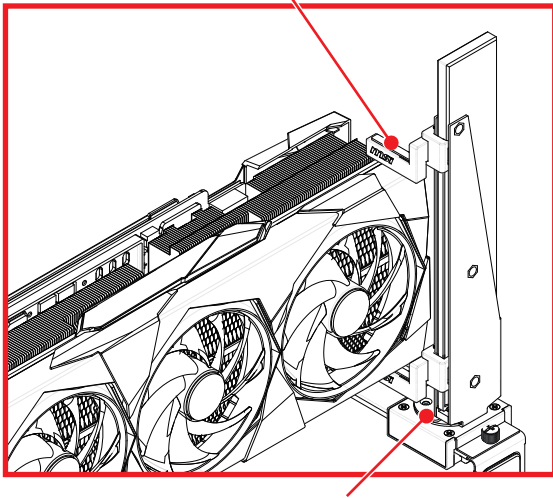
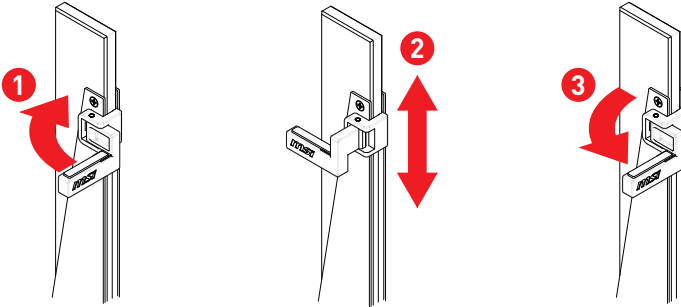


GPU Holder Position

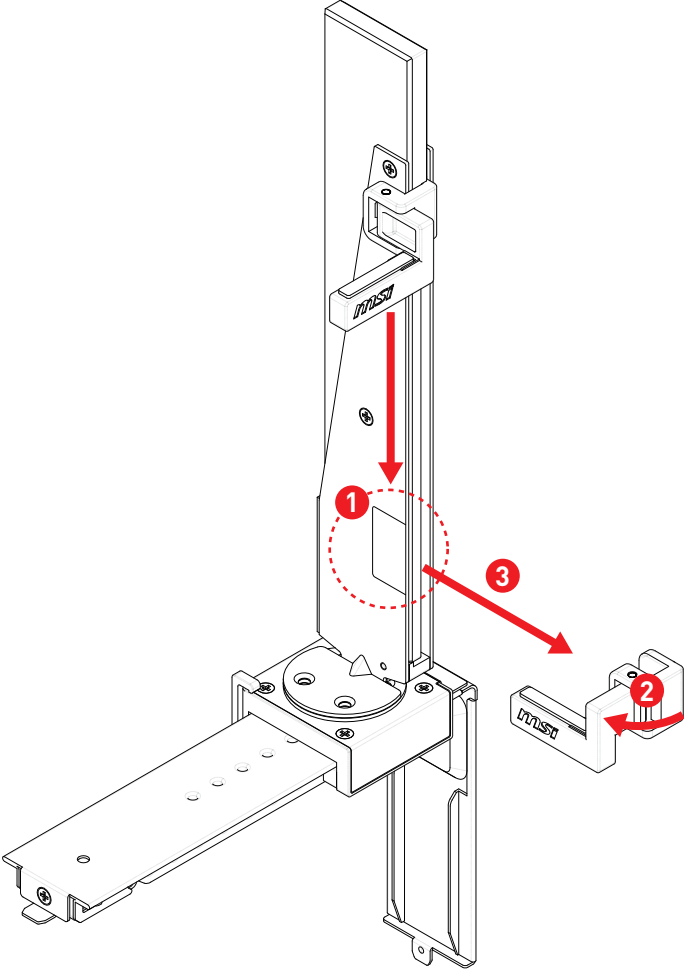


| GPU Holder Position | Maximum GPU Length |
|---------------------|--------------------|
| Position 1 | Less than 340mm |
| Position 2 | Less than 330mm |
| Position 3 | Less than 310mm |
| Position 4 | Less than 290mm |
| Position 5 | Less than 265mm |

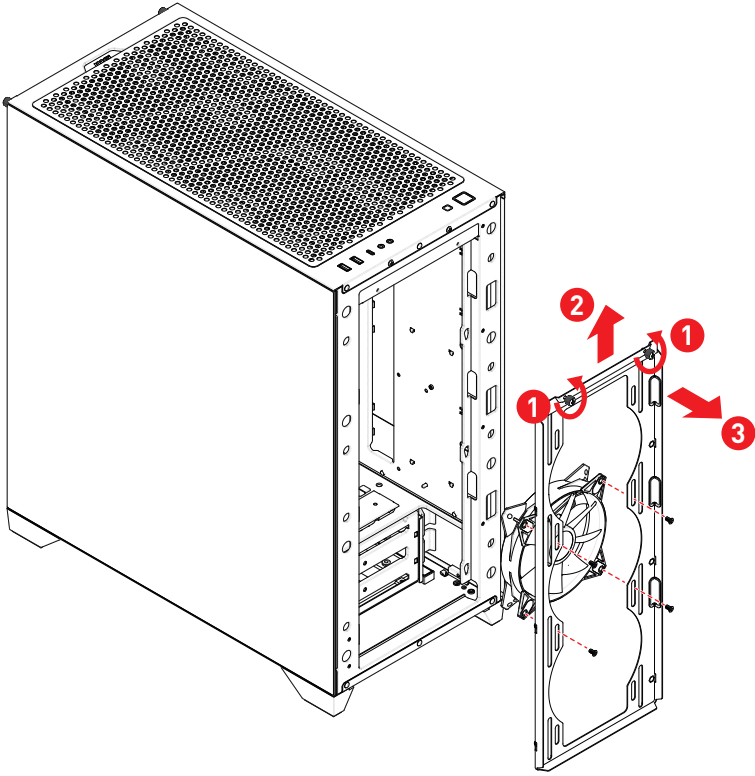
GPU Holder Adjustment



GPU Support Arm Removal

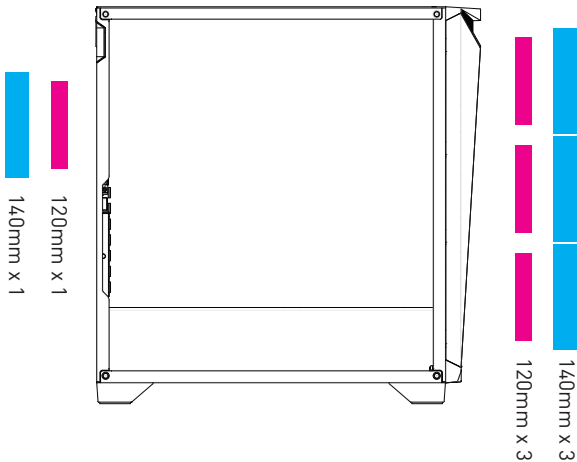


Fan Compatibility and Setup



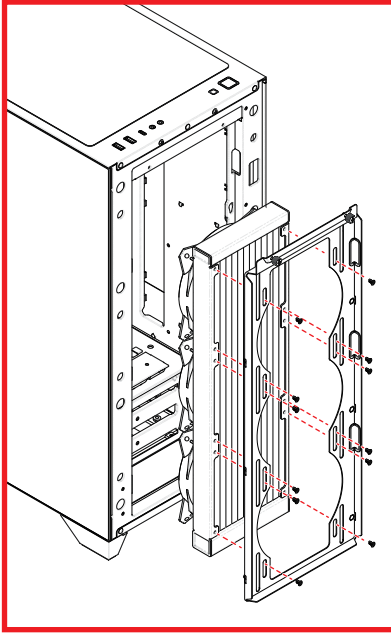
  140mm x 2

   120mm x 3

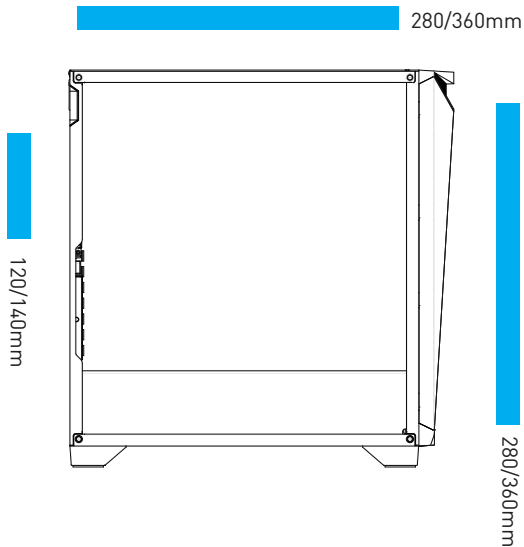
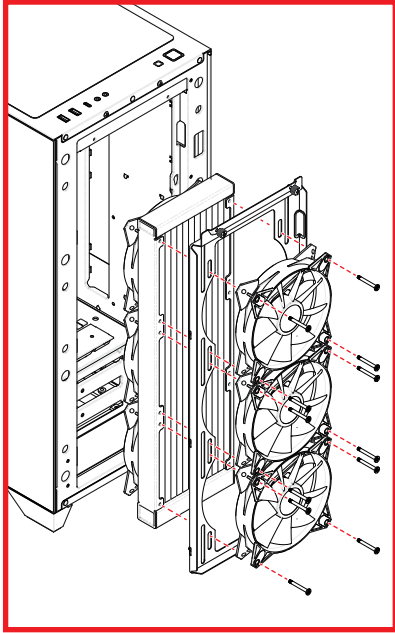


Radiator Compatibility and Setup

360mm Radiator Configuration



Push-Pull Radiator Configuration



General Information

Copyright and Trademarks Notice

Copyright © Micro-Star Int'l Co., Ltd. All rights reserved.

The MSI logo used is a registered trademark of Micro-Star Int'l Co., Ltd. All other marks and names mentioned may be trademarks of their respective owners. No warranty as to accuracy or completeness is expressed or implied. MSI reserves the right to make changes to this document without prior notice.

All text, images, illustrations, and other content in this manual are the property of MSI. No part of this manual may be reproduced, distributed, or used in any form without the written permission of MSI.

Revision History

- Version 1.0, 2023/07, First release.

