

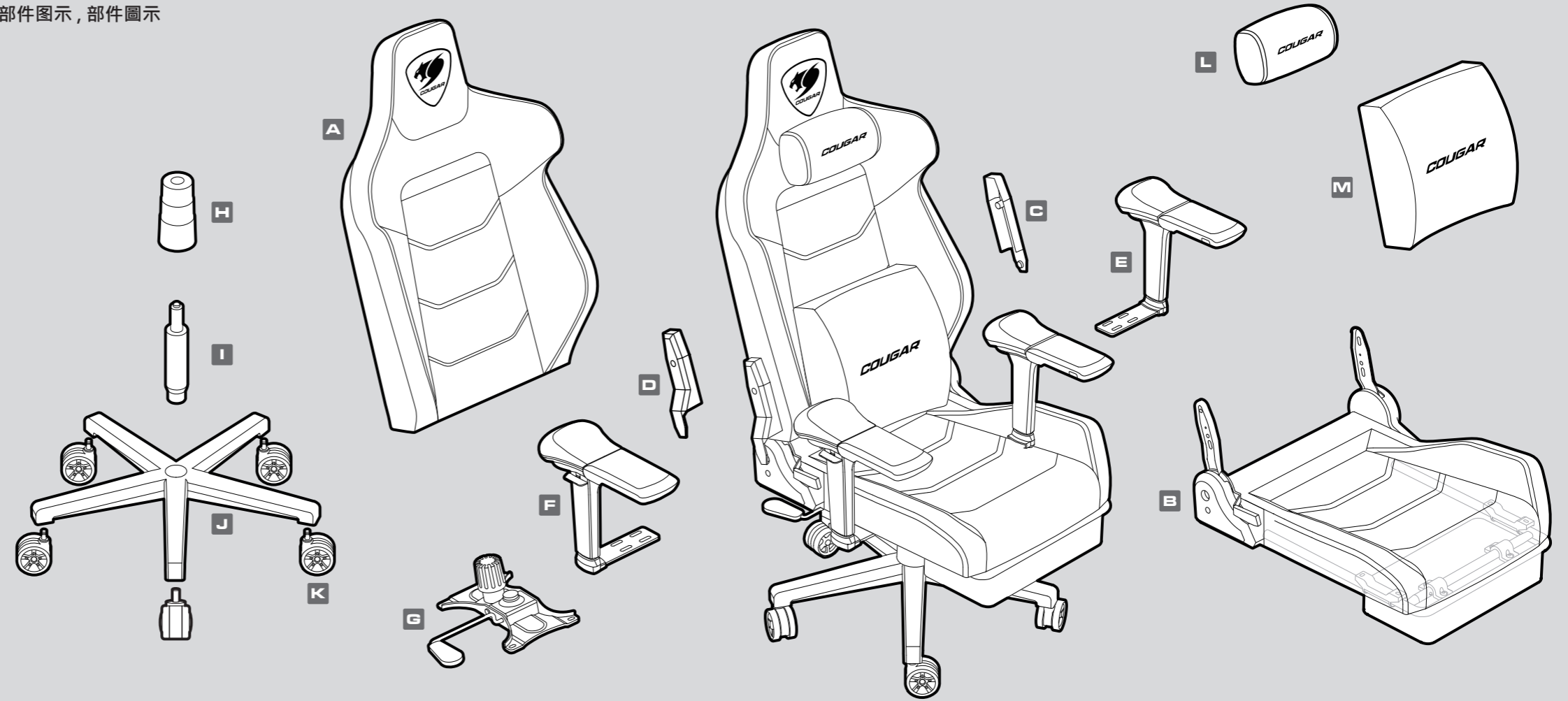
ASSEMBLY DRAWING

部件图示, 部件圖示



ARMOR EVO M

GAMING CHAIR



Versatile 5D adjustable armrests cater to individual preferences, whether you're a PC gamer, console enthusiast, or mobile gamer. Easily adjust them to provide optimal arm support for your unique needs, while the retractable footrest offers excellent leg support for a fully relaxed gaming experience. The Armor EVO M is your reliable companion for immersive gaming.

全方位可調式5D扶手·根據個人使用情境·不論是電腦玩家、家用遊戲機玩家或者手機遊戲玩家·都能調整貼合手臂支撐到位·符合使用需求·可伸縮腳托·讓腿部得到支撐·獲得完全放鬆·Armor EVO M將成為您遊戲體驗中最強大、最舒適的後盾。

全方位可調式5D扶手·根據個人使用情境·不論是電腦玩家、家用遊戲機玩家或者手機遊戲玩家·都能調整貼合手臂支撐到位·符合使用需求·可伸縮腳托·讓腿部得到支撐·獲得完全放鬆·Armor EVO M將成為您遊戲體驗中最強大、最舒適的後盾。

FEATURES 产品特点, 產品特點

ENGLISH

- Magnetic head cushion and lumbar pillow
- Retractable footrest for relaxing
- Body-embracing high back design
- Full steel frame
- Gas lift height adjustment
- 5D Adjustable armrest
- 5 Star metal base
- Breathable PVC leather
- Weight limit : 160kg

ESPAÑOL

- Cojín magnético para la cabeza y almohada lumbar
- Reposapiés retráctil para relajarse
- Diseño de espalda alta que abraza el cuerpo
- Marco de acero completo
- Ajuste de altura de elevación de gas
- 5D Reposabrazos ajustable
- Base de metal de 5 estrellas
- Cuero de PVC transpirable
- Límite de peso: 160 kg

DEUTSCH

- Magnetisches Kopfkissen und Lendenkissen
- Ausziehbarer Fußstütze zum Entspannen
- Körperbetontes Design mit hoher Rückenlehne
- Vollstahlrahmen
- Höhenverstellung der Gasdruckfeder
- 5D Verstellbare Armlehne
- 5-Sterne-Metallfuß
- Atmungsaktives PVC-Leder
- Gewichtsbeschränkung: 160 kg

KOREAN

- 자석 헤드 쿠션 및 요추 베개
- 휴식을 위한 집이식 발판
- 몸을 감싸는 하이백 디자인
- 풀 스틸 프레임
- 가스 리프트 높이 조정
- 5D 조절 가능한 팔걸이
- 5성 메탈 베이스
- 통기성 PVC 가죽
- 무게 제한 : 160kg

日本語

- 磁気ヘッドクッションと腰枕
- リラックスできる格納式フットレスト
- 体を包み込むハイバックデザイン
- フルスチールフレーム
- ガスリフト高さ調整
- 5D調節可能なアームレスト
- 星5メタルベース
- 通気性のあるPVCレザー
- 体重制限: 160kg

PORTUGUÊS

- Almofada magnética para cabeça e travesseiro lombar
- Apoio para os pés retrátil para relaxar
- Design de costas altas que abraça o corpo
- Estrutura de aço completa
- Ajuste de altura do elevador de gás
- 5D Descanso de braço ajustável
- Base de metal 5 estrelas
- Couro de PVC respirável
- Limite de peso: 160kg

РУССКИЙ

- Магнитная подушка для головы и поясничная подушка
- Выдвижная подставка для ног для отдыха
- Облегающий дизайн с высокой спинкой
- Полностью стальная рама
- Регулировка высоты газлифта
- 5D Регулируемый подлокотник
- 5 звезд металлическая основа
- Дышащая кожа из ПВХ
- Ограничение по весу: 160 кг

FRANÇAIS

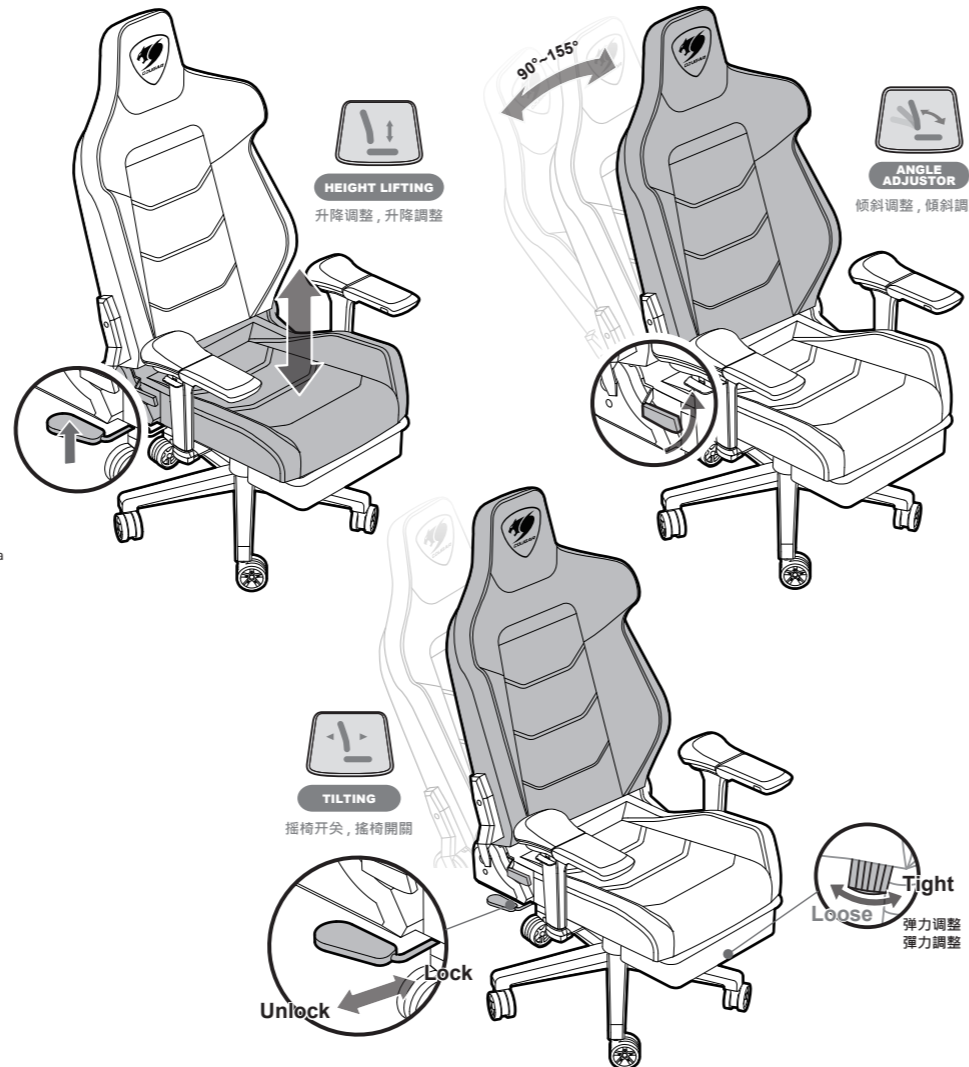
- Coussin de tête magnétique et oreiller lombaire
- Repose-pieds rétractable pour se détendre
- Conception à dossier haut qui épouse le corps
- Châssis entièrement en acier
- Réglage de la hauteur du vérin à gaz
- 5D Accoudoir réglable
- Base en métal 5 étoiles
- Cuir PVC respirant
- Limite de poids : 160kg

簡中

- 磁吸式頸枕與腰靠
- 可伸縮腳托·方便放鬆
- 高背式環抱椅背設計
- 堅固的鋼管結構設計
- 椅座高低可調式設計
- 可調式5D扶手
- 堅固耐用的金屬椅腳
- 透氣的PVC皮革材質
- 最大可承重 160kg

繁中

- 磁吸式頸枕與腰靠
- 可伸縮腳托·方便放鬆
- 高背式環抱椅背設計
- 堅固的鋼管結構設計
- 椅座高低可調式設計
- 可調式5D扶手
- 堅固耐用的金屬椅腳
- 透氣的PVC皮革材質
- 最大可承重 160kg

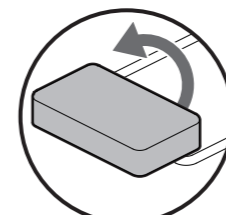


Retractable Footrest

可伸縮腳托
可伸縮腳托



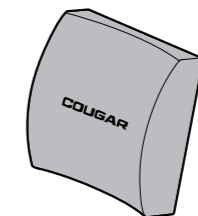
Step 1



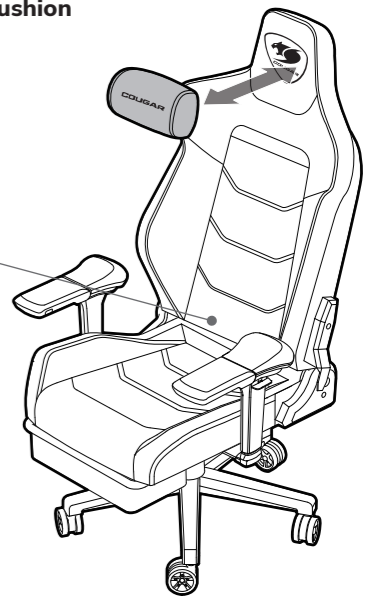
Step 2

Magnetic Neck Pillow Cushion

磁吸式記憶頸枕
磁吸式記憶頸枕

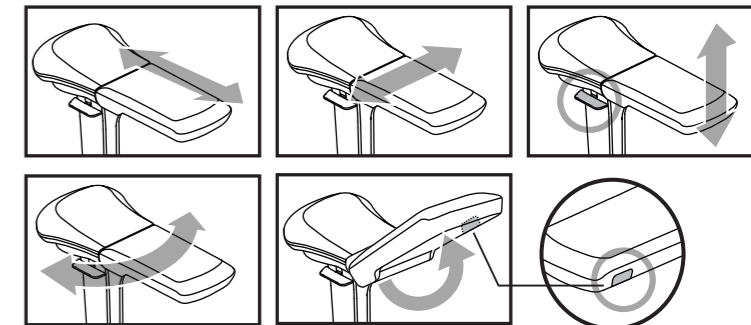


Lumbar Cushion
腰靠



5D ADJUSTABLE ARMREST

5D 可調式扶手
5D 可調式扶手

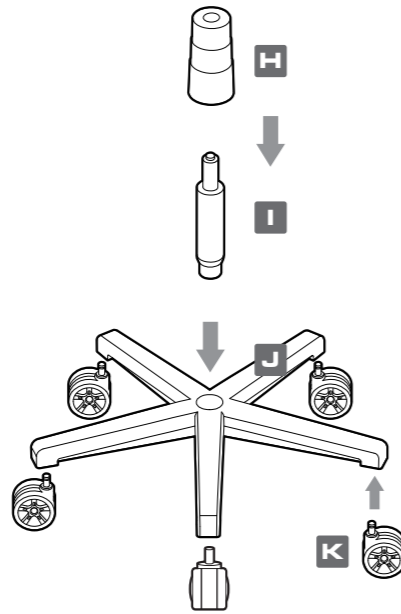


ACCESSORY KIT 配件, 配件

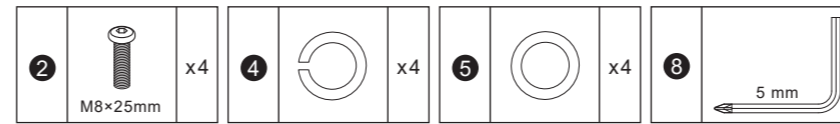
1 M8×20mm x12	2 M8×25mm x4	3 M5×12mm x2
4 x4	5 x4	6 x2
7 x4	8 5 mm x1	

ASSEMBLING INSTRUCTION 组装说明, 組裝說明

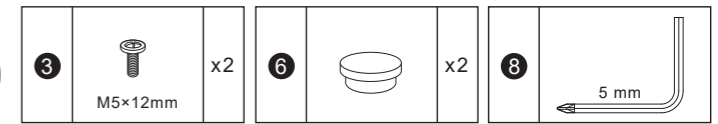
1



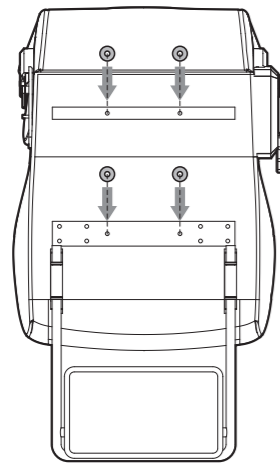
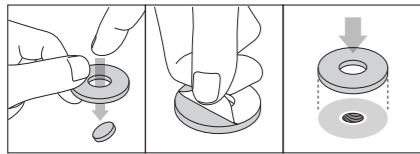
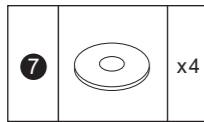
2



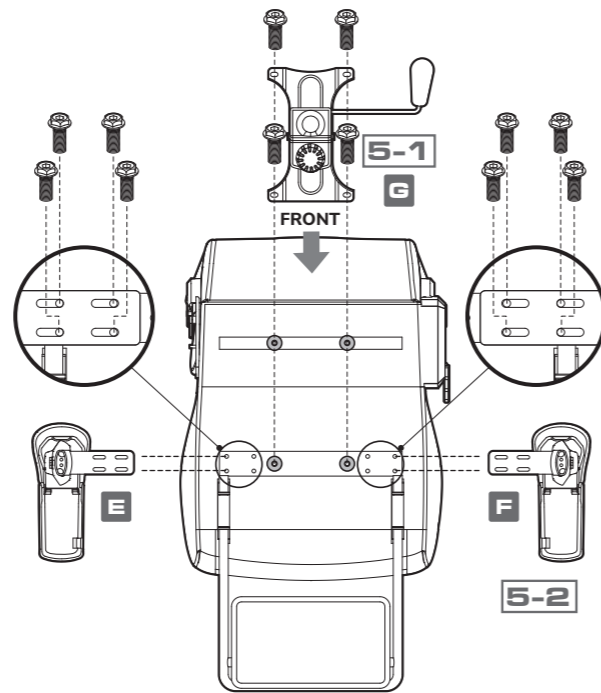
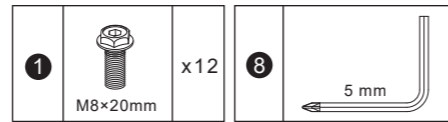
3



4



5



6



MANUFACTURER CONTACT

制造商联系方式, 製造商聯繫方式

COUGAR COUGAR USA Technical Service
Tel: (833) 256-3778
www.cougargaming.com Mail:rma@compucaseusa.com

Compucase Enterprise Co.,Ltd.
All rights reserved. Made in China



Official website

Maximum stationary weight capacity 160kg. Please do not place any body or object above 160kg on this chair. From spaces in which it could get caught or be injured.

本产品最大承受重量160公斤。请勿将160公斤以上的物体放在椅子上。
本产品最大承受重量160公斤。請勿將160公斤以上的物體放在椅子上。

DISTRIBUTOR



ДАТА ИЗГОТОВЛЕНИЯ ПРОДУКЦИИ
год и месяц изготовления продукции указаны в серийном номере продукта. (существует 2 способа определения даты изготовления, оба способа описаны ниже)

A После S/N: первые две цифры означают год, вторые две – месяц изготовления. Например, S/N: H1702000001 означает, что товар был произведен в феврале 2017 года.

B После S/N: если указаны буквы, то две буквы представляют цифры из таблицы ниже, и означают год, следующие две цифры – месяц изготовления. Например, S/N: DAG02REV1000001 означает, что товар был произведен в феврале 2017 года.

A	B	C	D	E	F	G	H	I	J
1	2	3	4	5	6	7	8	9	0

• Например, AG = 17 = 2017 год



GLOBAL WARRANTY POLICY

全球保固条款, 全球保固條款

WARRANTY PERIODS OF COUGAR GAMING DEVICES

Product : COUGAR ARMOR EVO M Gaming Chair
Warranty : Please refer to our official website.
(<https://cougargaming.com/us/support/warranty/>)
保固政策 : 中国地区购买, 请参考中国地区官方网站。
(<http://cougargaming.com.cn/support/warranty/>)



詳細保固條件
請掃描QR Code

This warranty gives you specific legal rights. You may also have other rights granted under local law. These rights may vary.

WARRANTY AGREEMENT

If the product has defects in material or manufacture, COUGAR will provide product repair and replacement service within the warranty period.
Our warranty service is based on the date of the invoice or warranty card.

CONDITIONS WHERE FREE MAINTENANCE IS NOT PROVIDED

- Any fault or damage caused by natural disasters (including storm, fire, flood, thunder, earthquake, etc).
- Any fault or damage caused by accidental factors and man-made reasons (including hit, scrape, crash, moving, compression, stain, corrosion, riot, misuse, malicious damage, etc).
- Use in an improper operating environment (including high temperature, high humidity, water inflow, etc).
- Inability to provide the product warranty card, purchase receipt or invoice to prove the product is still within the warranty period and the shipping date of the product is out of warranty.
- The warranty card has been altered or its number is hard to identify.
- The warranty period has expired.

- Any fault or damage caused by non-compliance with regulations stated on the user manual or improper, rough and careless treatment.
- COUGAR is not liable for any damage of life and limb or damage or loss of property caused by or during COUGAR products' use as or with medical equipment, military equipment, traffic equipment and disaster prevention systems.
- COUGAR's warranty liability is limited to repair or replacement. The decision on whether to repair or replace belongs exclusively to COUGAR.
- COUGAR is, to the extent not prohibited by law, not liable for any damages; expenses; lost data, revenues, savings or profits; or any incidental or consequential damages happened while the use of a defective product from COUGAR or due to its use.

DISCLAIMERS

COUGAR products should not be used as critical components in life support devices.
COUGAR is not liable for any damage of life and limb or damage or loss of property caused by or during COUGAR products' use as or with medical equipment, military equipment, traffic equipment and disaster prevention systems.
COUGAR's warranty liability is limited to repair or replacement. The decision on whether to repair or replace belongs exclusively to COUGAR.

COUGAR is, to the extent not prohibited by law, not liable for any damages; expenses; lost data, revenues, savings or profits; or any incidental or consequential damages happened while the use of a defective product from COUGAR or due to its use.

LEGAL NOTICES

This manual was created by Compucase Enterprise and may not be completely or partially copied, passed on, distributed or stored without written consent by Compucase Enterprise.
COUGAR® is a registered brand of Compucase Enterprise. Other product and company names mentioned in this documentation may be brands or trademarks of their respective owners.
Compucase Enterprise reserves the right to make changes concerning the contents of the manual and the technical data of the product without previous announcement.

WARNING

- To adjust the chair height, gently pull the lever up. Do not use excessive force to pull the lever.
- Please wear protective gloves when assembling the chair. It is your own responsibility to use appropriate protection to prevent any physical damage.
- When rocking the chair, using it in any other way or adjusting the height, inclination, position or balance of the chair or any of its components, please pay attention to your hand's position and keep it away from spaces in which it could get caught or be injured.
- Do not make fast or violent movements when the chair is in movement.
- Do not touch any of the chair's adjustment controls to prevent affecting its stability and causing a potentially dangerous fall.
- When reclining the chair to its full extent, set the related control level in lock position and keep both feet on the ground, as well as abstain from any violent, rough or strong movement which could cause the chair to tip over.
- Keep in mind that this chair is designed only for sitting and reclining, and that it should be used only for those uses.
- Do not sit on the edge of the chair or the arm rests.
- Do not place the chair in a location in which it is likely to be subjected to prolonged sunlight exposure.
- The product's colors might fade when exposed to sunlight.
- Do not use abrasive products or scrub energetically when cleaning. Please stick to gentle products suitable for delicate materials.
- All parts should be checked monthly to confirm their integrity and to make sure that the screws are not loose.
- If any part of the product is or appears to be damaged, missing or loose, please contact the local distributor and do not use the product.