

TAKE IT TO THE SKIES



FS FLIGHT SIMULATOR

BOEING™ COMMERCIAL EDITION

INSTRUCTION MANUAL



*ELECTRONICS NOT INCLUDED



YOUR FLIGHT SIM JOURNEY STARTS HERE

We know you're eager to start flying! Take your time with the instructions and follow this guide to assemble your product. You'll be setting yourself up for success with following the instruction booklet to fully optimize your product.








**ASSEMBLY
VIDEO**

bit.ly/nlrbuild



**FOLLOW
US**

-  @next_level_racing
-  @nextlevelracingOfficial
-  @nextlvlracing
-  Next Level Racing
-  support@nextlevelracing.com



**TAKE RACING
TO THE NEXT LEVEL®**

[NEXTLEVELRACING.COM](https://nextlevelracing.com)





support@nextlevelracing.com



Video Instruction: bit.ly/nlrbuild

PRE-FLIGHT CHECKS

WARNING

- Please do not use power tools for assembly as over tightening can damage your frame.
- Lay out and build the cockpit on a level surface.
- Do not force parts together.
- Avoid cross threading bolts.
- If in doubt consult the installation video.



If you require any support with your product please contact our friendly team at: support@nextlevelracing.com



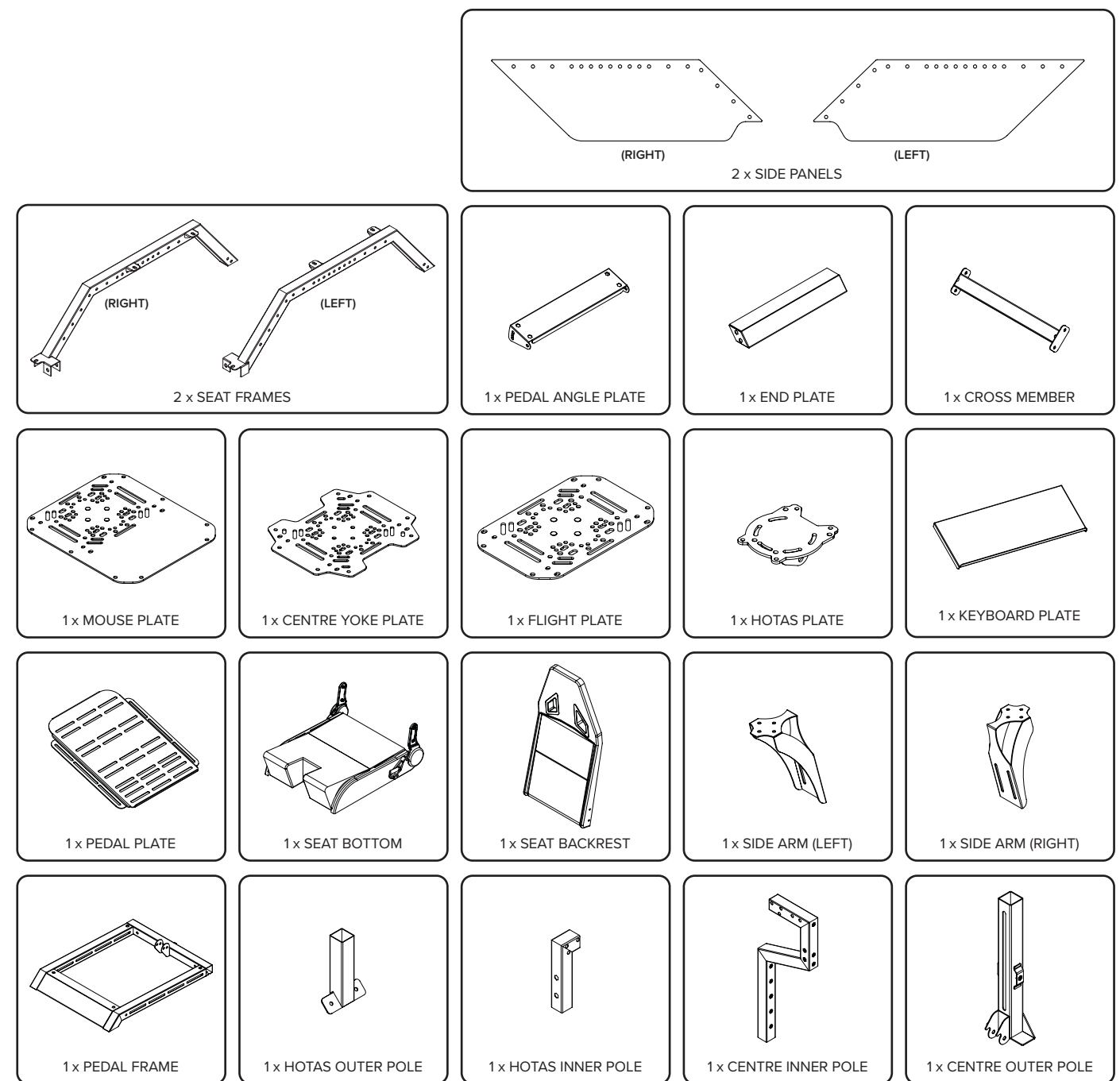
WARNING

CHOKING HAZARD - Small parts not for children under 3 years or any individuals who have a tendency to place inedible objects in their mouths.



bit.ly/nlrbuild

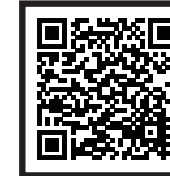
IN THE BOX *NOT TO SCALE



NOTE: Some Items Come with Rust Resistant Coating



support@nextlevelracing.com



Video Instruction: bit.ly/nlrbuild

 14 x M4 16mm BOLTS 26 x M6 16mm BOLTS 14 x M8 16mm BOLTS	 40 x M8 55mm BOLTS	 8 x M5 60mm BOLTS	 14 x M4 FLANGE NUTS 8 x M5 FLANGE NUTS 34 x M6 FLANGE NUTS 40 x M8 FLANGE NUTS	 14 x M4 WASHERS 8 x M5 WASHERS 26 x M6 WASHERS 55 x M8 WASHERS
 4 x 20mm KNOBS	 1 x M8 70mm BOLT	 6 x SQUARE WASHERS	 10x M6 20mm THREADED STUDS	 1 x 13mm WRENCH (M8)
 4 x ALLEN KEYS M8 M6 M5 M4	 1 x M4/M6 WRENCH 1 x M5/M6 WRENCH	 6 x ADJUSTABLE FEET	 1 x BUTTKICKER POLE	 1 x SEATBELT
 1 x STRAIGHT SIDE ARM	 1 x TURTLE BEACH ADAPTOR	 6 x VELCRO CABLE TIES	 1 x LUMBAR CUSHION	 2 x TPR ADAPTORS
 2 x FELT PADS (30mm x 120mm)	 1 x SUPPORT BRACKET	 1 x SUPPORT BRACKET MOUNT	 1 x 40mm BARREL SPACER	 1 x CLAMP PLATE
 1 x KEYBOARD ARM	 10 x M8 16mm WASHERS	 1 x KEYBOARD MAT	 1 x MOUSE MAT	

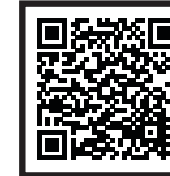
ADJUSTMENT POINTS

The Flight Simulator is a fully adjustable cockpit making it perfect for flight enthusiasts of all sizes. Utilize the various adjustment points to achieve the most comfortable position.





support@nextlevelracing.com



Video Instruction: bit.ly/nlrbuild

01 A) Align the mounting holes on the Pedal Angle Plate with the slots on the Pedal Frame. B) Bolt through and secure with 4 x M8 Bolts, Square Washers and Flange Nuts.

PARTS:

- 1 x Pedal Frame
- 1 x Pedal Angle Plate
- 4 x M8 55mm Bolts
- 4 x Square Washers
- 4 x M8 Flange Nuts

04 Align the threaded inserts on the End Plate with the mounting holes on the Left and Right Seat Frames. Bolt through and secure with 4 x M8 Bolts and Washers.

PARTS:

- 1 x End Plate
- 4 x M8 55mm Bolts
- 4 x M8 Washers

02 A) Align the mounting slots on the Pedal Plate with the threaded inserts on the Pedal Angle Plate. B) Bolt through and secure with 4 x M8 Bolts and Washers.

PARTS:

- 1 x Pedal Plate
- 4 x M8 16mm Bolts
- 4 x M8 Washers

05 Align the mounting holes on the Side Panels with the through holes on the Seat Frames. Bolt through and secure with 4 x M8 Bolts, Washers and Flange Nuts.

PARTS:

- 2 x Side Panels
- 4 x M8 55mm Bolts
- 4 x M8 Washers
- 4 x M8 Flange Nuts

03 A) Align the mounting holes on the Seat Frames with the mounting holes and threaded inserts on the Pedal Frame. B) On the top of the frame, bolt through and secure the Seat Frames with 2 x M8 16mm Bolts and Washers. C) Bolt through the centre of the frame and secure with 2 x M8 55mm Bolts, Washers and Flange Nuts.

PARTS:

- 2 x Seat Frames
- 2 x M8 55mm Bolts
- 2 x M8 16mm Bolts
- 4 x M8 Washers
- 2 x M8 Flange Nuts

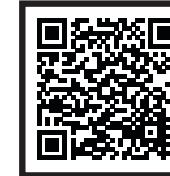
06 A) Align the mounting holes on the Cross Member with the through holes on the Left and Right Seat Frames and Side Panels. B) Bolt through and secure with 4 x M8 Bolts, Washers and Flange Nuts.

PARTS:

- 1 x Cross Member
- 4 x M8 55mm Bolts
- 4 x M8 Washers
- 4 x M8 Flange Nuts



support@nextlevelracing.com



Video Instruction: bit.ly/nlrbuild

07

A) Apply pressure to the seat base with body-weight. Pull up the recliner handle with one hand and adjust so that the recliner is perpendicular with the Seat Bottom. Repeat on other side (It is recommended to use a cloth/cardboard in palm to prevent injury to hands).
 B) Uninstall 4 x Dome Head Bolts which are pre-installed on the Seat Backrest and align the threaded inserts on the Seat Backrest with the mounting holes on the Seat Bottom.
 C) Bolt through and secure with 4 x M8 Dome Head Bolts which were previously uninstalled. Remove the warning labels on the recliners.

PARTS:

- 1 x Seat Backrest
- 1 x Seat Bottom

10

A) Align the mounting slots on the Left and Right Side Arms with the through holes on the Left and Right Seat Frames and Side Panels.
 B) Bolt through and secure with 4 x M8 Bolts, Washers and Flange Nuts.

PARTS:

- 2 x Side Arms (L) (R)
- 4 x M8 55mm Bolts
- 4 x M8 Washers
- 4 x M8 Flange Nuts

08

A) Pull the Seat Slider handle up and adjust the Seat to the forward-most position.
 B) Align the mounting holes on the Seat Sliders with the seat mounting locations (Refer to image) on the Left and Right Seat Frames.
 C) At the rear, bolt through and secure with 2 x M8 Square Neck Bolts and Flange Nuts.

PARTS:

- 2 x M8 16mm Square Neck Bolts
- 2 x M8 Flange Nuts

(4x Seat Mounting Locations)
(Two Each Side of Seat Frames)

11

SIDE ARM ADJUSTMENT

Loosen the Bolts to adjust the Side Arms to the desired height and angle. Tighten the Bolts to lock in place. Utilize the extra through holes on the Seat Frames for back and forward adjustment.

PARTS:

- NIL

09

A) Pull the Seat Slider handle and adjust the Seat to the rear-most position.
 B) At the front, bolt through and secure with 2 x M8 Square Neck Bolts and Flange Nuts.

PARTS:

- 2 x M8 16mm Square Neck Bolts
- 2 x M8 Flange Nuts

12

NOTE: The plates are interchangeable and can be mounted to accommodate for left or right-handed users.

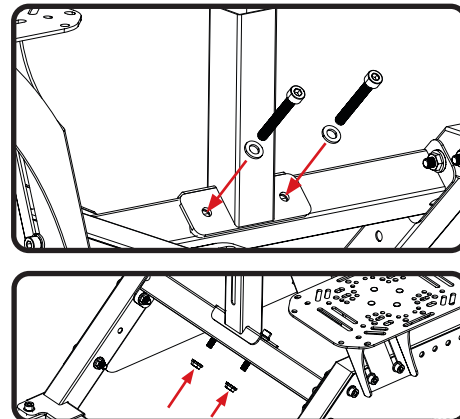
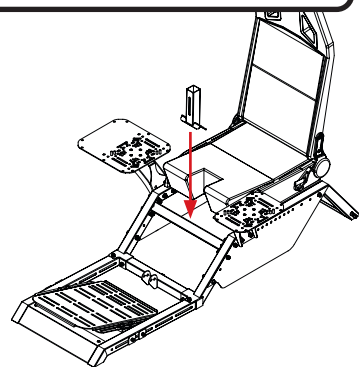
Align the Threaded Studs on the Mouse Plate and Flight Plate with the mounting holes on the Left and Right Side Arms. Secure with 8 x M8 Flange Nuts.

PARTS:

- 1 x Mouse Plate
- 1 x Flight Plate
- 8 x M8 Flange Nuts



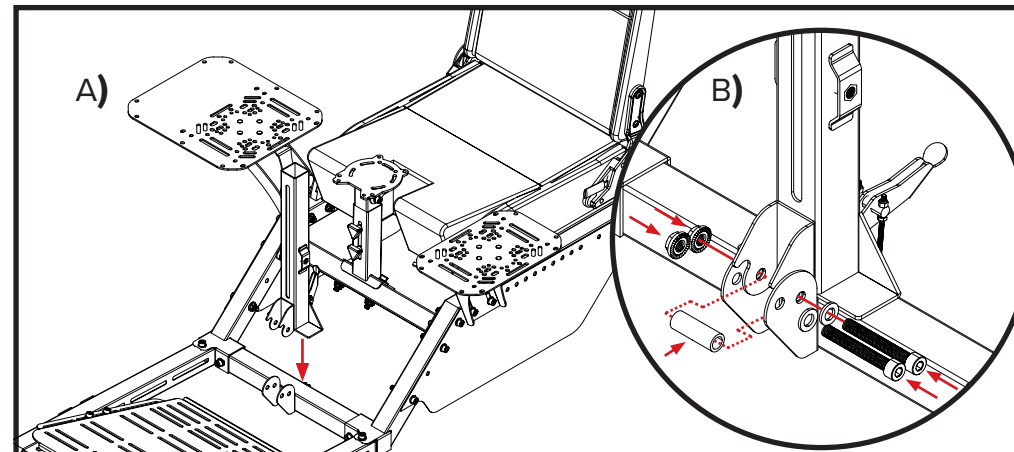
OPTIONAL HOTAS INSTALL



PARTS:

- 1 x HOTAS Outer Pole
- 2 x M8 55mm Bolts
- 2 x M8 Washers
- 2 x M8 Flange Nuts

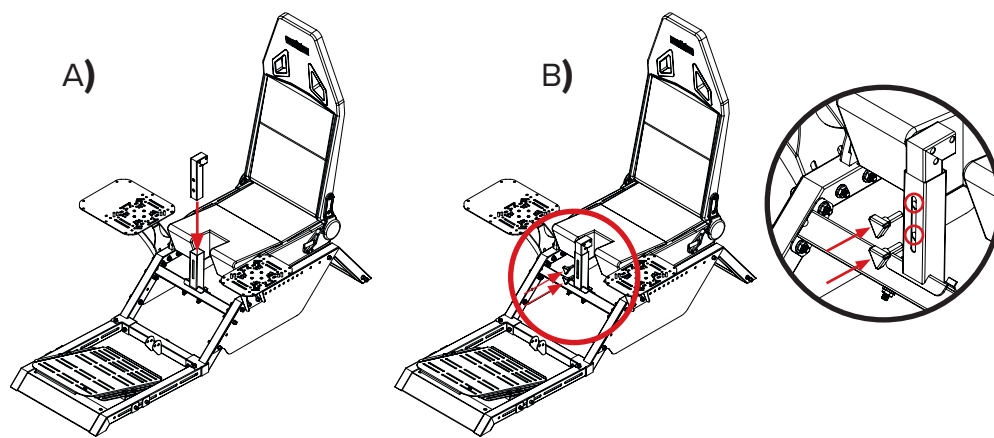
13 Align the mounting holes on the HOTAS Outer Pole with the through holes on the Cross Member. Bolt through and secure with 2 x M8 Bolts, Washers and Flange Nuts.



PARTS:

- 1 x Centre Outer Pole
- 2 x M8 55mm Bolts
- 2 x M8 Washers
- 2 x M8 Flange Nuts
- 1 x Barrel Spacer

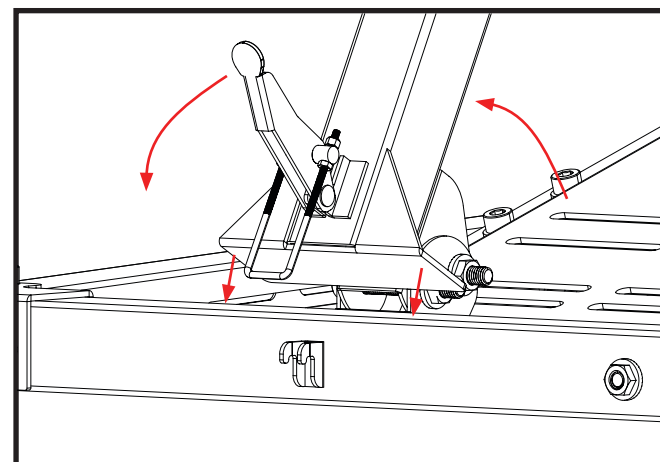
16 A) Align the mounting holes on the Centre Outer Pole with the holes on the Pedal Frame. B) Align the Barrel Spacer with the holes on the Centre Outer Pole. Bolt through and secure with 2 x M8 Bolts, Washers and Flange Nuts.



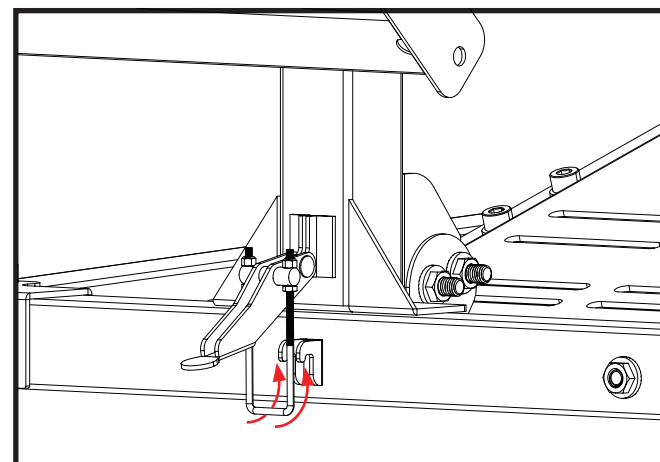
PARTS:

- 1 x HOTAS Inner Pole
- 2 x 20mm Knobs

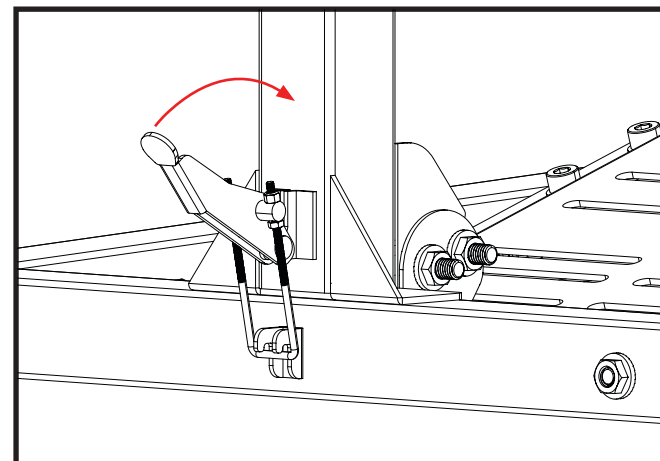
14 Align the threaded inserts on the HOTAS Inner Pole with the slot on the HOTAS Outer pole. Bolt through and secure with 2 x Knobs.



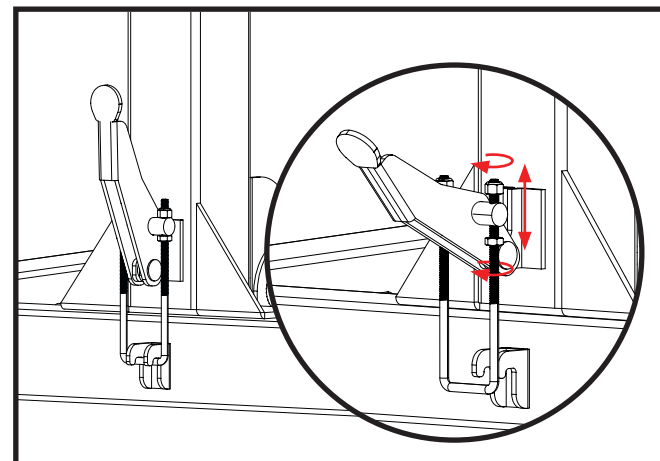
17a Gently place the Center Pole on top of the Pedal Frame and make sure the latch is down.



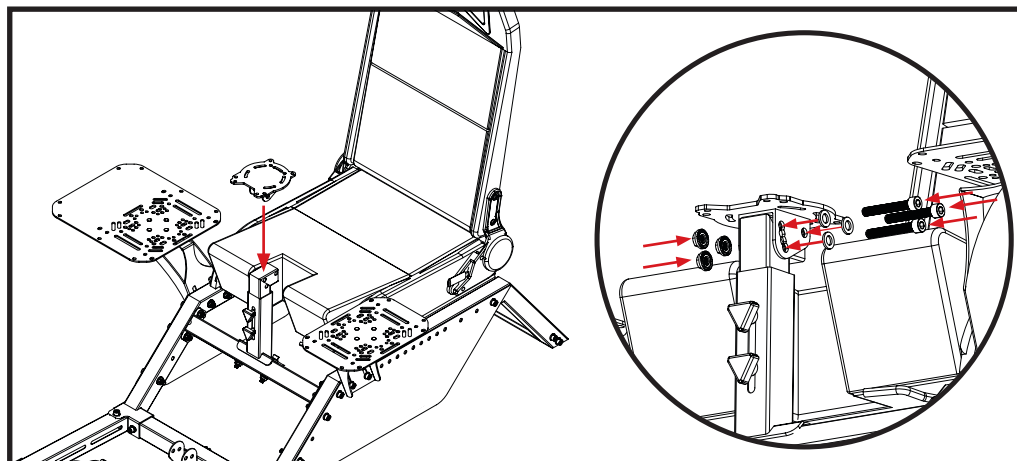
17b Hook the U-Bolt into the locking tab on the Pedal Frame.



17c Make sure the U bolt is sitting properly in the locking tab and pull the latch until its tight.



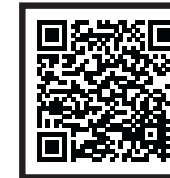
17d For a tighter lock, undo the latch, adjust the nuts at the top of the latch and close it back again.



PARTS:

- 1 x HOTAS Plate
- 3 x M8 55mm Bolts
- 3 x M8 16mm Washers
- 3 x M8 Flange Nuts

15 Align the mounting holes on the HOTAS Plate with the through holes on the HOTAS Inner Pole. Bolt through and secure with 3 x M8 Bolts, Washers and Flange Nuts.



NOTE: If high end yokes are being used, please install the optional Support Bracket (Step 23 - 26).

18 Install 1 x Felt Pad onto the top of the Centre Inner Pole. Align the threaded inserts on the Centre Inner Pole with the slots on the Centre Outer Pole. Bolt through and secure with 2 x Knobs.

PARTS:

- 1 x Centre Inner Pole
- 2 x 20mm Knobs
- 1 x Felt Pad

CENTRE YOKE PLATE INSTALL

19a Align the mounting holes on the Centre Yoke Plate with the through holes on the Centre Inner Pole. Bolt through and secure with 3 x M8 55mm Bolts, Washers and Flange Nuts.

PARTS:

- 1 x Centre Yoke Plate
- 3 x M8 55mm Bolts
- 3 x M8 16mm Washers
- 3 x M8 Flange Nuts

OPTIONAL TURTLE BEACH ADAPTOR INSTALL
(Continue from Step 19a)

19b A) Insert the 2 x M6 Studs into the rear-most holes on the Centre Yoke Plate.
B) Align the mounting holes on the Turtle Beach Adaptor Plate with the threaded studs, secure with 2 x M6 Flange Nuts.

PARTS:

- 1 x Turtle Beach Adaptor Plate
- 2 x M6 20mm Press Fit Studs
- 2 x M6 Flange Nuts

BOEING YOKE/CLAMP PLATE INSTALL

19c A) Place the Clamp Plate on top of the Centre Inner Pole.
B) Slide the Clamp Plate forward and align the mounting holes on the Centre Inner Pole and Clamp Plate.
C) Bolt through and secure with 2 x M8 Bolts, Washers and Flange Nuts.

PARTS:

- 1 x Clamp Plate
- 2 x M8 55mm Bolts
- 2 x M8 Washers
- 2 x M8 Flange Nuts

CENTRE KEYBOARD PLATE INSTALL

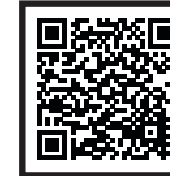
19d Align the mounting holes and slots on the Keyboard Plate with the through holes on the Centre Inner Pole. Bolt through and secure with 2 x M8 Bolts, Washers and Flange Nuts.

PARTS:

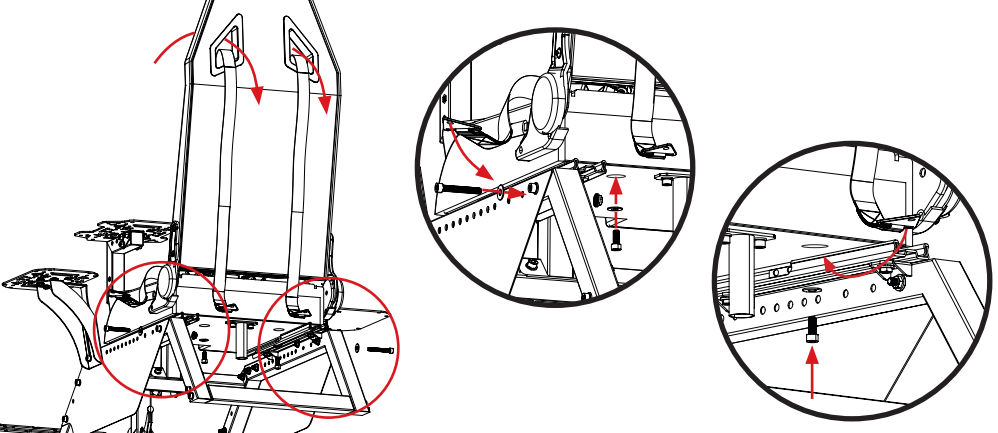
- 1 x Keyboard Plate
- 2 x M8 55mm Bolts
- 2 x M8 Washers
- 2 x M8 Flange Nuts



support@nextlevelracing.com



Video Instruction: bit.ly/nlrbuild

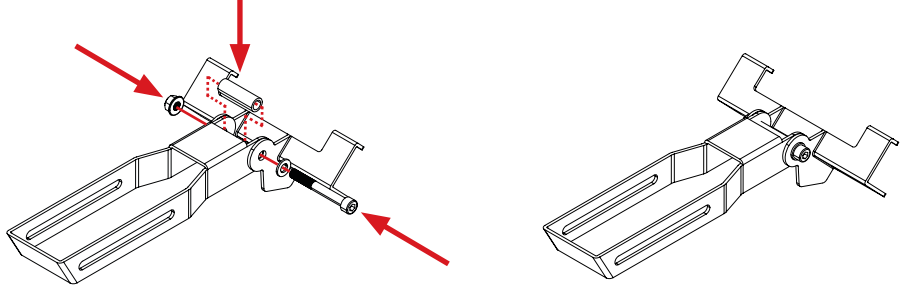


20 Thread the Seatbelt through the eyelets in the Seat Backrest. Align the mounting holes on each Seatbelt mounting plate with the through holes on the Seat Frames and the threaded inserts on the underside of the Seat Bottom. Bolt through and secure with 4 x M8 Bolts, Washers and 2 x M8 Flange Nuts.

PARTS:

- 1 x Seatbelt
- 2 x M8 20mm Bolts
- 2 x M8 55mm Bolts
- 4 x M8 Washers
- 2 x M8 Flange Nuts

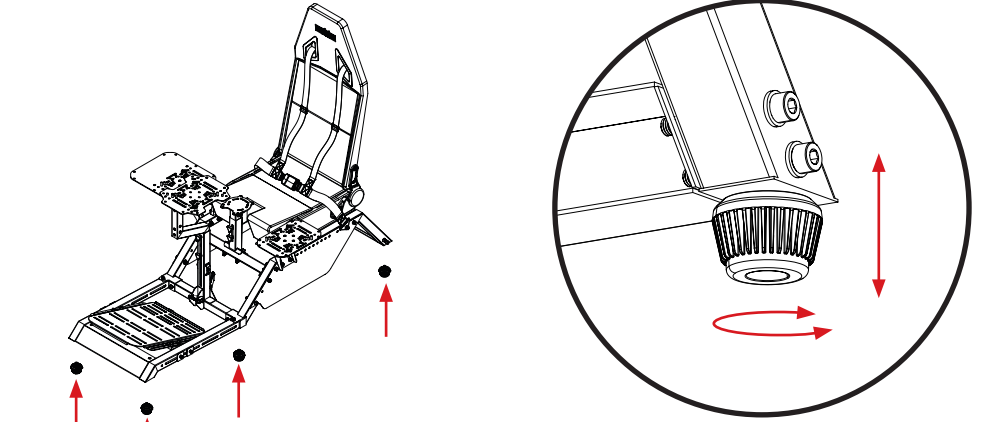
OPTIONAL SUPPORT BRACKET INSTALL



23 Align the pivot point on the Support Bracket with the mounting holes on the Support Bracket Mount. Bolt through and secure with 1 x M8 Bolt, Washer, Barrel Spacer and Flange Nut.

PARTS:

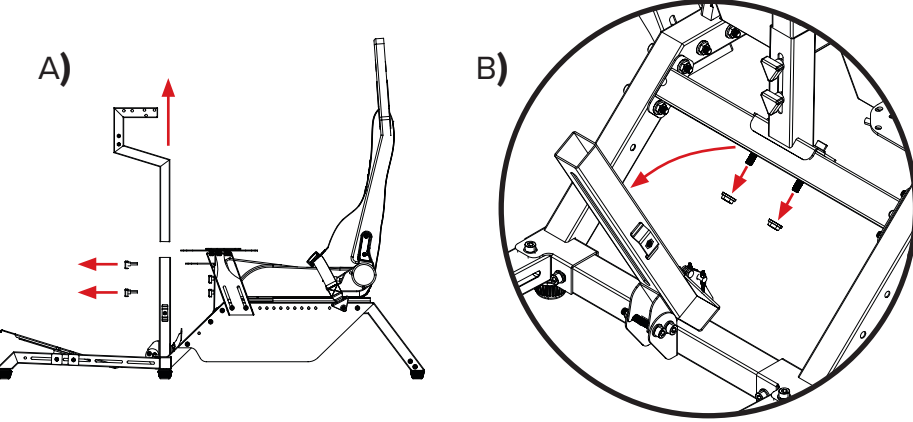
- 1 x Support Bracket
- 1 x Support Bracket Mount
- 1 x M8 70mm Bolt
- 1 x Barrel Spacer
- 1 x M8 Washer
- 1 x M8 Flange Nut



21 Align the Adjustable Feet with the threaded inserts on the bottom of the Pedal Frame and Seat Frames. Lock into place by twisting the Adjustable feet into the threaded inserts. To raise an Adjustable Foot, twist anti-clockwise.

PARTS:

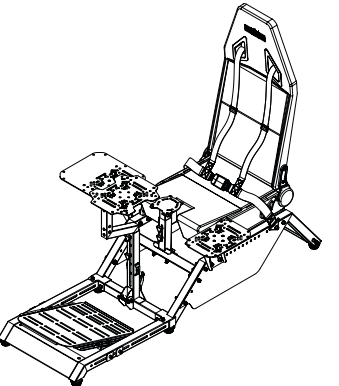
- 6 x Adjustable Feet



24 A) Uninstall the Knobs securing the Centre Inner Pole to the Centre Outer Pole and remove the Centre Outer Pole. B) Uninstall the 2 x M8 Flange Nuts securing the HOTAS Outer Pole to the Cross Member.

PARTS:

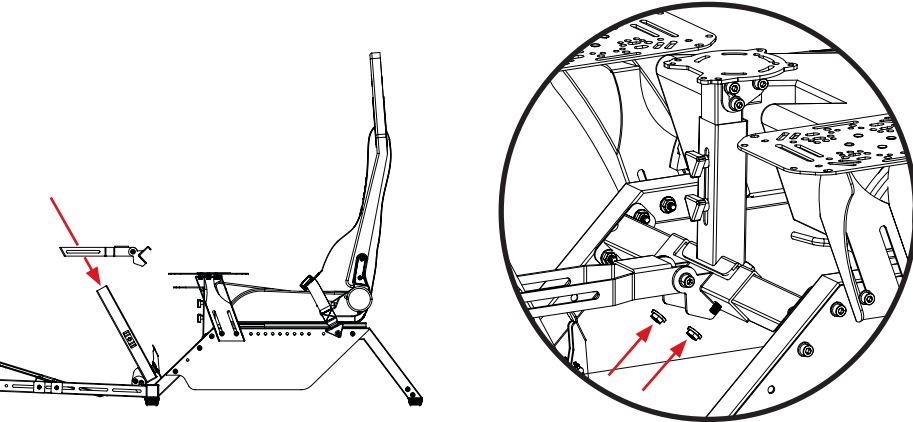
- NIL



22 Your Flight Simulator cockpit is complete.

PARTS:

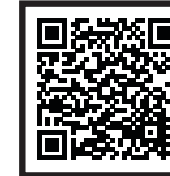
- NIL



25 Align the mounting holes on the Support Bracket with the through holes on the Cross Member. Secure with 2 x M8 Flange Nuts previously uninstalled in **Step 24**.

PARTS:

- 2 x M8 Flange Nuts



26 A) Align the threaded inserts on the Centre Outer Pole with the slots on the Support Bracket. Bolt through with 2 x Knobs.
B) Fit the Centre Inner Pole into the Centre Outer Pole. Align the threaded inserts on the Centre Inner Pole with the slot in the Centre Outer Pole. Bolt through and secure with 2 x Knobs previously uninstalled in **Step 24**.

PARTS:

- 1 x Centre Inner Pole
- 4 x 12mm Knobs

OPTIONAL STRAIGHT SIDE ARM

29 A) Uninstall 2 x M8 Bolts, Washers and Flange Nuts securing the Side Arm. Detach the Flight Plate from the Side Arm.
B) Uninstall 2 x M8 Bolts, Washers and Flange Nuts securing one side of the Cross Member to the Seat Frame.

PARTS:

- NIL

OPTIONAL KEYBOARD PLATE SIDE MOUNT

27 Align the mounting slots on the Keyboard Arm with the holes on the Mouse Plate. Bolt through and secure with 2 x M6 Bolts, Washers and Flange Nuts.

PARTS:

- 1 x Keyboard Arm
- 2 x M6 16mm Bolts
- 2 x M6 Washers
- 2 x M6 Flange Nuts

NOTE: The Straight Side Arm is interchangeable and works on both sides of the cockpit.

30 A) Align the Straight Side Arm with the through holes in the Seat Frame and Cross Member.
B) Bolt through and secure with 2 x M8 Bolts, Washers and Flange Nuts uninstalled in **Step 29**.

PARTS:

- 1 x Straight Side Arm
- 2 x M8 55mm Bolts
- 2 x M8 Washers
- 2 x M8 Flange Nuts

28 Align the mounting holes on the Keyboard Plate with the through holes on the Keyboard Arm. Bolt through and secure with 2 x M8 Bolts, Washers and Flange Nuts.

PARTS:

- 1 x Keyboard Plate
- 2 x M8 55mm Bolts
- 2 x M8 Washers
- 2 x M8 Flange Nuts

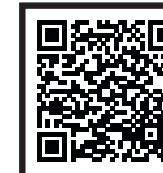
31 Align the Mouse Plate Threaded Studs with the mounting holes on the Straight Side Arm. Secure with 4 x M8 Flange Nuts.

PARTS:

- 4 x M8 Flange Nuts
- 1 x Mouse Plate

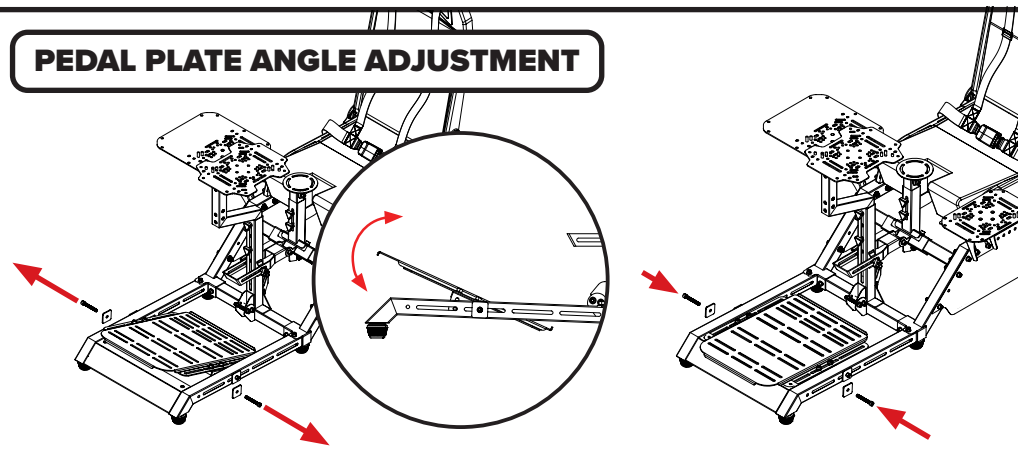


support@nextlevelracing.com



Video Instruction: bit.ly/nlrbuild

PEDAL PLATE ANGLE ADJUSTMENT

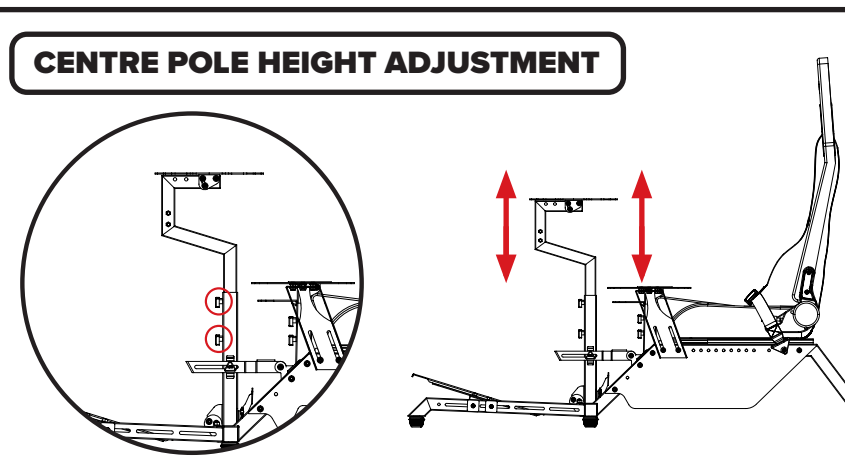


PARTS:
• NIL

32

Uninstall the front Bolts, Square Washers and Flange Nuts securing the Pedal Angle Plate to the Pedal Frame and loosen the rear Bolts. Adjust to the desired angle. Bolt through and secure with the Bolts, Square Washers and Flange Nuts previously uninstalled.

CENTRE POLE HEIGHT ADJUSTMENT

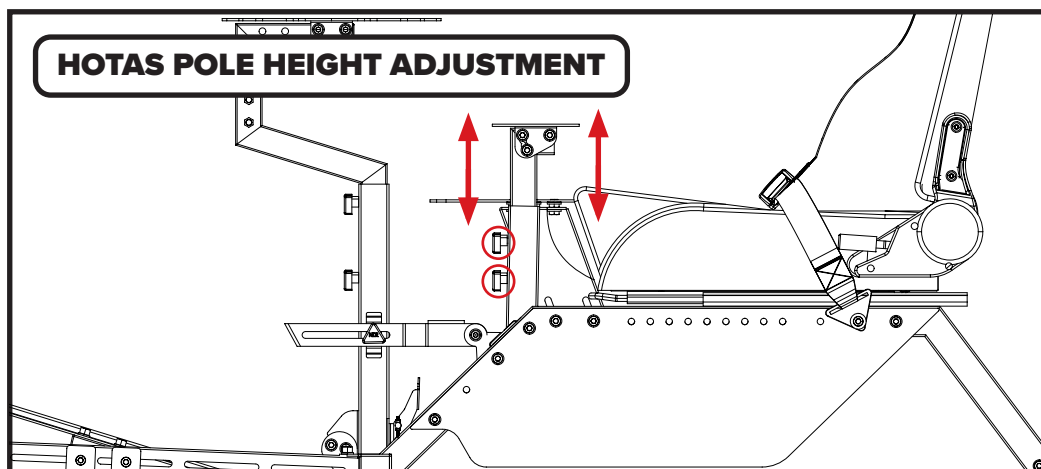


PARTS:
• NIL

35

Loosen the Knobs securing the Inner Centre Pole to the Outer Centre Pole. Adjust the Inner Centre Pole to the desired height and tighten the Knobs to secure in place. Utilize the multiple threaded inserts for a perfect fit.

HOTAS POLE HEIGHT ADJUSTMENT

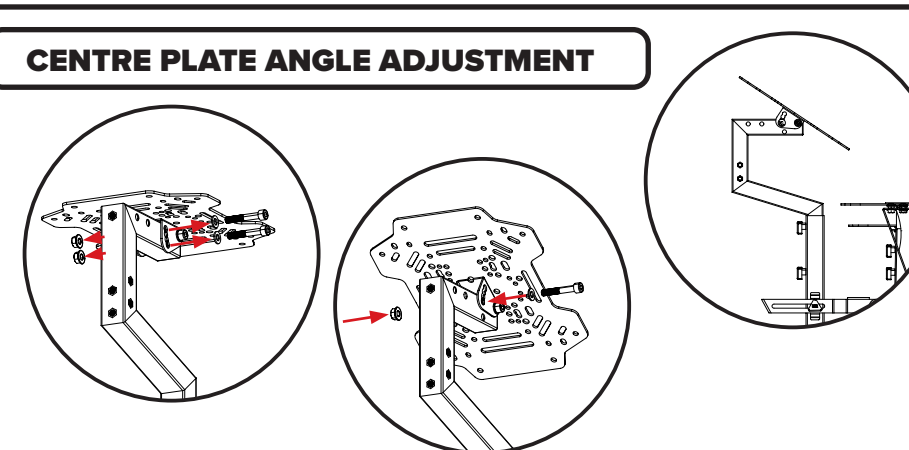


PARTS:
• NIL

33

Loosen the Knobs securing the HOTAS Inner Pole to the HOTAS Outer Pole. Adjust to desired height and tighten Knobs to lock in place.

CENTRE PLATE ANGLE ADJUSTMENT

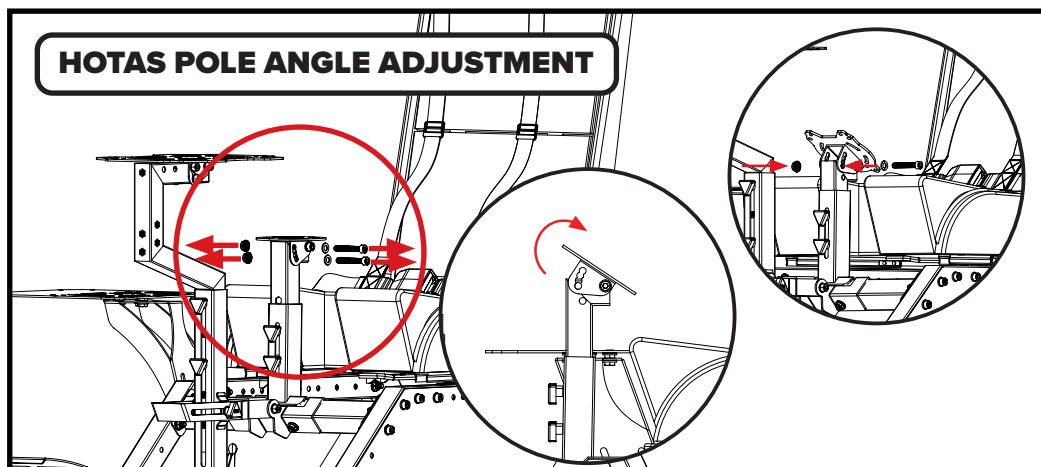


PARTS:
• NIL

36

Uninstall the front Bolts, Washers and Flange Nuts securing the Centre Plate to the Inner Centre Pole. Angle to the desired position. Bolt through and secure with 1 x Bolt, Washer and Flange Nut previously uninstalled.

HOTAS POLE ANGLE ADJUSTMENT

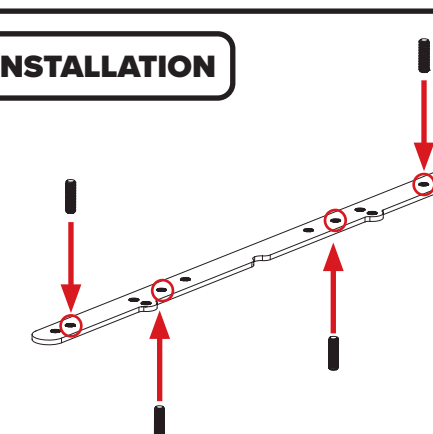


PARTS:
• NIL

34

Uninstall the front Bolts, Washers and Flange Nuts securing the HOTAS Plate to the HOTAS Inner Pole. Angle to the desired position. Bolt through and secure with 1 x Bolt, Washer and Flange Nut previously uninstalled.

TPR RUDDER INSTALLATION



PARTS:
• 1 x TPR Adaptor

• 4 x M6 20mm Threaded Studs



37

Install 4 x M6 Threaded Studs into the TPR Adaptor.



support@nextlevelracing.com



Video Instruction: bit.ly/nlrbuild

(A)

(B)

PARTS:

- 2x M6 Flange Nuts
- TPR Rudder (not included)

38 Align the mounting holes on the front of the TPR Rudder with the Threaded Studs on the TPR Adaptor. Secure with 2 x M6 Flange Nuts. The TPR Rudders are ready to install onto the cockpit.

MOUSE MAT INSTALL

PARTS:

- 1 x Mouse Mat

40 A Mouse mat may be installed on top of the Flight or Mouse Plate. A mouse may now be used.

KEYBOARD MAT INSTALL

PARTS:

- 1 x Keyboard Mat

41 Place the Keyboard Mat on top of the Keyboard Plate. A keyboard may now be used.

BUTTKICKER POLE INSTALL

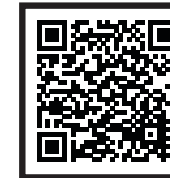
PARTS:

- 1 x Buttkicker Pole
- 2 x M8 16mm Bolts
- 2 x M8 Washers

39 Align the mounting holes on the Buttkicker Pole with the threaded inserts under the Seat Bottom. Bolt through and secure with 2 x M8 Bolts and Washers.



support@nextlevelracing.com



Video Instruction: bit.ly/nlrbuild



WARNING

Please do not use power tools for assembly as over tightening can damage your frame.

Lay out and build the cockpit on a level surface.

Do not force parts together.

Avoid cross threading bolts.

If in doubt, consult the installation video.

ASSISTANCE



If you require further support with your product please contact our friendly team at: support@nextlevelracing.com

FR

Manuel d'instructions de Flight Simulator

Nous savons que vous avez hâte de commencer la course ! Prenez votre temps avec les instructions et suivez ce guide pour assembler votre produit. Vous vous préparerez au succès en suivant le livret d'instructions pour optimiser pleinement votre produit. Pour la vidéo d'assemblage, scannez le code QR. bit.ly/nlrbuild. Suivez nous. Scannez le code QR VÉRIFICATIONS AVANT LE

VOL

AVERTISSEMENT

- Veuillez ne pas utiliser d'outils électriques pour l'assemblage car un serrage excessif peut endommager votre cadre.
- Disposez et construisez le cockpit sur une surface plane.
- Ne forcez pas les pièces ensemble.
- Évitez de fausser le filetage des boulons.
- En cas de doute, consultez la vidéo d'installation.

Si vous avez besoin d'aide avec votre produit, veuillez contacter notre équipe amicale à : support@nextlevelracing.com

AVERTISSEMENT RISQUE D'ÉTOUFFEMENT

Les petites pièces ne sont pas destinées aux enfants de moins de 3 ans ou à toute personne ayant tendance à mettre des objets non comestibles dans sa bouche.

DÉMARRER

01 - Reportez-vous à l'image. A) Alignez les trous de montage sur la plaque d'angle de la pédale avec les fentes sur le cadre de la pédale. B) Boulonnez et fixez avec 4 boulons M8, rondelles carrées et écrous à embase. Pièces : 1 cadre de pédale, 1 plaque d'angle de pédale, 4 boulons M8 de 55 mm, 4 rondelles carrées, 4 écrous à embase M8.

02 - Reportez-vous à l'image. A) Alignez les trous de montage sur la plaque de pédale avec les inserts filetés sur la plaque d'angle de pédale. B) Boulonnez et fixez avec 4 boulons et rondelles M8. Pièces : 1 x plaque de pédale, 4 x boulons M8 16 mm, 4 x rondelles M8.

03 - Reportez-vous à l'image. A) Alignez les trous de montage sur les cadres du siège avec les trous de montage et les inserts filetés sur le cadre des pédales. B) Sur le dessus du cadre, boulonnez et fixez les cadres du siège avec 2 boulons et rondelles M8 de 15 mm. C) Boulonnez à travers le centre du cadre et fixez avec 2 boulons, rondelles et écrous à embase M8 de 55 mm. Pièces : 2 cadres de siège, 2 boulons M8 de 55 mm, 2 boulons M8 de 16 mm, 4 rondelles M8, 2 écrous à bride M8.

04 - Reportez-vous à l'image. Alignez les inserts filetés sur la plaque d'extrémité avec les trous de montage sur les cadres de siège gauche et droit. Boulonnez et fixez avec 4 boulons et rondelles M8. Pièces : 1 plaque d'extrémité, 4 boulons M8 de 55 mm, 4 rondelles M8.

05 - Reportez-vous à l'image. Alignez les trous de montage sur les panneaux latéraux avec les trous traversants sur les cadres de siège. Boulonnez et fixez avec 4 boulons M8, rondelles et écrous à embase. Pièces : 2 panneaux latéraux, 4 boulons M8 de 55 mm, 4 rondelles M8, 4 écrous à embase M8.

06 - Reportez-vous à l'image. A) Alignez les trous de montage sur la traverse avec les trous traversants sur les cadres de siège gauche et droit et les panneaux latéraux. B) Boulonnez et fixez avec 4 boulons M8, rondelles et écrous à embase. Pièces : 1 x traverse, 4 x boulons M8 de 55 mm, 4 x rondelles M8, 4 x écrous à bride M8.

07 - Reportez-vous à l'image. A) Appliquez une pression sur la base du siège avec le poids du corps. Tirez la poignée du fauteuil d'une main vers le haut et réglez-la de manière à ce que le fauteuil soit perpendiculaire au bas du siège. Répétez de l'autre côté. B) Désinstallez les 4 boulons à tête bombée qui sont préinstallés sur le dossier du siège et alignez les inserts filetés du dossier du siège avec les trous de montage sur le bas du siège. C) Boulonnez et fixez avec 4 boulons à tête bombée M8 qui ont été précédemment désinstallés. Retirez les étiquettes d'avertissement sur les fauteuils inclinables. Pièces : 1 x dossier de siège, 1 x fond de siège.

08 - Reportez-vous à l'image. A) Tirez la poignée coulissante du siège vers le haut et réglez le siège à la position la plus avancée. B) Alignez les trous de montage sur les glissières du siège avec les emplacements de montage du siège (reportez-vous à l'image) sur les cadres de siège gauche et droit. C) À l'arrière, boulonnez et fixez avec 2 boulons à col carré M8 et des écrous à embase. Pièces : 2 boulons à col carré M8 16 mm, 2 écrous à bride M8.

09 - Reportez-vous à l'image. A) Tirez la poignée coulissante du siège et réglez le siège à la position la plus reculée. B) À l'avant, boulonnez et fixez avec 2 boulons à col carré M8 et des écrous à embase. Pièces : 2 boulons à col carré M8 16 mm, 2 écrous à bride M8.

10 - Reportez-vous à l'image. A) Alignez les fentes de montage sur les bras latéraux gauche et droit avec les trous traversants sur les cadres de siège gauche et droit et les panneaux latéraux. B) Boulonnez et fixez avec 4 boulons M8, rondelles et écrous à embase. Pièces : 2 bras latéraux, 4 boulons M8 de 55 mm, 4 rondelles M8, 4 écrous à embase M8.

11 - Reportez-vous à l'image. Desserrez les boulons pour régler les bras latéraux à la hauteur et à l'angle souhaités. Serrez les boulons pour verrouiller en place. Veuillez utiliser les trous traversants supplémentaires sur les cadres de siège pour le réglage vers l'arrière et vers l'avant. Pièces : néant

12 - Reportez-vous à l'image. Alignez les goujons filetés sur la plaque de souris et la plaque de vol avec les trous de montage sur les bras latéraux gauche et droit. Fixez avec 8 écrous à embase M8. REMARQUE : Les plaques sont interchangeables et peuvent être montées pour s'adapter aux utilisateurs gauchers ou droitiers. Pièces : 1 plaque de souris, 1 plaque de vol, 8 écrous à bride M8.

13 - Reportez-vous à l'image. INSTALLATION DE HOTAS EN OPTION. Alignez les trous de montage sur le poteau extérieur HOTAS avec les trous traversants sur la traverse. Boulonnez et fixez avec 2 boulons M8, rondelles et écrous à embase. Pièces : 1 pôle extérieur HOTAS, 2 boulons M8 de 55 mm, 2 rondelles M8, 2 écrous à bride M8.

14 - Reportez-vous à l'image. Alignez les inserts filetés du pôle intérieur HOTAS avec la fente du pôle extérieur HOTAS. Boulonnez et fixez avec 2 x boutons. Pièces : 1 pôle intérieur HOTAS, 2 boutons de 15 mm.

15 - Reportez-vous à l'image. Alignez les trous de montage sur la plaque HOTAS avec les trous traversants sur le poteau intérieur HOTAS. Boulonnez et fixez avec 3 boulons M8, rondelles et écrous à embase. Pièces : 1 plaque HOTAS, 3 boulons M8 de 55 mm, 3 rondelles M8 de 16 mm, 3 écrous à embase M8.

16 - Reportez-vous à l'image. A) Alignez les trous de montage sur le pôle extérieur central avec les trous sur le cadre de la pédale. B) Alignez l'entretoise du barillet avec les trous du pôle extérieur central. Boulonnez et fixez avec 2 boulons M8, rondelles et écrous à embase. Pièces : 1 pôle extérieur central, 2 boulons M8 de 55 mm, 2 rondelles M8, 2 écrous à embase M8, 1 entretoise de barillet. 17a - Reportez-vous à l'image. Placez délicatement le poteau central sur le dessus du cadre de pédale et assurez-vous que le loquet est abaissé.

17b - Reportez-vous à l'image. Accrochez le boulon en U dans la languette de verrouillage sur le cadre de la pédale.

17c - Reportez-vous à l'image. Assurez-vous que le boulon en U repose correctement dans la languette de verrouillage et tirez sur le loquet jusqu'à ce qu'il soit bien serré.

17d - Reportez-vous à l'image. Pour un verrouillage plus serré, desserrez le loquet, ajustez les écrous en haut du loquet et refermez-le.

18 - Reportez-vous à l'image. Installez 1 coussinet en feutre sur le dessus du pôle intérieur central. Alignez les inserts filetés du pôle intérieur central avec les fentes du pôle extérieur central. Boulonnez et fixez avec 2 x boutons. REMARQUE : Si des étriers haut de gamme sont utilisés, veuillez installer le support de support en option (étapes 23 à 26). Pièces : 1 pôle intérieur central, 2 boutons de 15 mm, 1 coussinet en feutre.

19a - Se référer à l'image. INSTALLER LA PLAQUE DE COLLIER CENTRAL. Alignez les trous de montage sur la plaque de l'étrier central avec les trous traversants sur le pôle intérieur central. Boulonnez et fixez avec 3 boulons, rondelles et écrous à embase M8 de 60 mm. Pièces : 1 plaque de joug centrale, 3 boulons M8 de 60 mm, 3 rondelles M8 de 16 mm, 3 écrous à bride M8.

19b - Reportez-vous à l'image. INSTALLER L'ADAPTATEUR TURTLE BEACH EN OPTION (Continuer à partir de 19a). A) Boulonnez à travers 2 goujons M6 dans les trous filetés les plus à l'arrière de la plaque de joug centrale. B) Alignez les trous de montage sur la plaque d'adaptation Turtle Beach avec les goujons filetés, fixez avec 2 écrous à embase M6. Pièces : 1 plaque d'adaptation Turtle Beach, 2 goujons filetés M6 de 20 mm, 2 écrous à embase M6.



support@nextlevelracing.com



Video Instruction: bit.ly/nlrbuild

NL

- 19c - Reportez-vous à l'image. BOEING YOKE/PLAQUE DE SERRAGE INSTALLER. A) Placez la plaque de serrage sur le dessus du pôle intérieur central. B) Faites glisser la plaque de serrage vers l'avant et alignez les trous de montage sur le pôle intérieur central et la plaque de serrage. C) Boulonnez et fixez avec 2 boulons M8, rondelles et écrous à embase. Pièces : 1 plaque de serrage, 2 boulons M8 de 55 mm, 2 rondelles M8, 2 écrous à embase M8
- 19d - Reportez-vous à l'image. INSTALLER LA PLAQUE CENTRALE DU CLAVIER. Alignez les trous de montage et les fentes sur la plaque du clavier avec les trous traversants sur le pôle intérieur central. Boulonnez et fixez avec 2 boulons M8, rondelles et écrous à embase. Pièces : 1 plaque de clavier, 2 boulons M8 de 55 mm, 2 rondelles M8, 2 écrous à embase M8.
- 20 - Reportez-vous à l'image. Enfilez la ceinture de sécurité dans les oeillets du dossier du siège. Alignez les trous de montage sur chaque plaque de montage de ceinture de sécurité avec les trous traversants sur les cadres de siège et les inserts filetés sur le dessous du fond du siège. Boulonnez et fixez avec 4 boulons M8, rondelles et 2 écrous à embase M8. Pièces : 1 ceinture de sécurité, 2 boulons M8 16 mm, 2 boulons M8 55 mm, 4 rondelles M8, 2 écrous à embase M8.
- 21 - Reportez-vous à l'image. Alignez les pieds réglables avec les inserts filetés au bas du cadre des pédales et des cadres du siège. Verrouillez en place en tournant les pieds réglables dans les inserts filetés. Pour relever un pied réglable, tournez dans le sens inverse des aiguilles d'une montre. Pièces : 6 pieds réglables.
- 22 - Reportez-vous à l'image. Votre cockpit Flight Simulator est terminé. Pièces : NIL
- 23 - Reportez-vous à l'image. INSTALLATION DU SUPPORT DE SUPPORT EN OPTION. Alignez le point de pivot du support avec les trous de montage du support de montage. Boulonnez et fixez avec 1 boulon M8, une rondelle, une entretoise de barillet et un écrou à embase. Pièces : 1 support, 1 support de montage, 1 boulon M8 de 55 mm, 1 entretoise de barillet, 1 rondelle M8, 1 écrou à embase M8.
- 24 - Reportez-vous à l'image. A) Désinstallez les boutons fixant le pôle intérieur central au pôle extérieur central et retirez le pôle extérieur central. B) Désinstallez les 2 écrous à embase M8 fixant le poteau extérieur HOTAS à la traverse. Pièces : néant.
- 25 - Reportez-vous à l'image. Alignez les trous de montage sur le support de support avec les trous traversants sur la traverse. Fixez avec 2 écrous à embase M8 préalablement désinstallés à l'étape 24. Pièces : 2 écrous à embase M8.
- 26 - Reportez-vous à l'image. A) Alignez les inserts filetés sur le pôle extérieur central avec les fentes sur le support de support. Boulon à travers avec 2 x boutons. B) Insérez le pôle intérieur central dans le pôle extérieur central. Alignez les inserts filetés du pôle intérieur central avec la fente du pôle extérieur central. Boulonnez et fixez avec 2 x boutons. Pièces : 1 pôle intérieur central, 4 boutons de 15 mm.
- 27 - Reportez-vous à l'image. SUPPORT LATÉRALE DE PLAQUE DE CLAVIER EN OPTION. Alignez les fentes de montage sur le bras du clavier avec les trous sur la plaque de la souris. Boulonnez et fixez avec 2 boulons M6, rondelles et écrous à embase. Pièces : 1 bras de clavier, 2 boulons M6 de 16 mm, 2 rondelles M6, 2 écrous à embase M6.
- 28 - Reportez-vous à l'image. Alignez les trous de montage sur la plaque du clavier avec les trous traversants sur le bras du clavier. Boulonnez et fixez avec 2 boulons M8, rondelles et écrous à embase. Pièces : 1 plaque de clavier, 2 boulons M8 de 55 mm, 2 rondelles M8, 2 écrous à embase M8.
- 29 - Reportez-vous à l'image. BRAS LATÉRAL DROIT EN OPTION. A) Désinstallez les 2 boulons, rondelles et écrous à embase M8 fixant le bras latéral. Détachez la plaque de vol du bras latéral. B) Désinstallez 2 boulons, rondelles et écrous à embase M8 fixant un côté de la traverse au cadre du siège. Pièces : néant.
- 30 - Reportez-vous à l'image. A) Alignez le bras latéral droit avec les trous traversants du cadre du siège et de la traverse. B) Boulonnez et fixez avec 2 boulons M8, rondelles et écrous à embase désinstallés à l'étape 29. Pièces : 1 x bras latéral droit, 2 x boulons M8 de 55 mm, 2 x rondelles M8, 2 x écrous à embase M8.
- 31 - Reportez-vous à l'image. Alignez les goujons filetés de la plaque de la souris avec les trous de montage sur le bras latéral droit. Fixez avec 4 écrous à embase M8. Pièces : 4 écrous à bride M8.
- 32 - Reportez-vous à l'image. RÉGLAGE DE L'ANGLE DE LA PLAQUE DE PÉDALE. Désinstallez les boulons avant, les rondelles carrées et les écrous à bride fixant la plaque d'angle de la pédale au cadre de la pédale et desserrez les boulons arrière. Ajustez à l'angle désiré. Boulonnez et fixez avec les boulons, les rondelles carrées et les écrous à bride précédemment désinstallés. Pièces : néant.
- 33 - Reportez-vous à l'image. RÉGLAGE DE LA HAUTEUR DU MÂT HOTAS. Desserrez les boutons fixant le pôle intérieur HOTAS au pôle extérieur HOTAS. Ajustez à la hauteur désirée et serrez les boutons pour verrouiller en place. Pièces : NIL
- 34 - Reportez-vous à l'image. RÉGLAGE DE L'ANGLE DU MÂT HOTAS. Désinstallez les boulons avant, les rondelles et les écrous à embase fixant la plaque HOTAS au poteau intérieur HOTAS. Angle à la position désirée. Boulonnez et fixez avec 1 x boulon, rondelle et écrou à bride précédemment désinstallés. Pièces : néant.
- 35 - Reportez-vous à l'image. RÉGLAGE DE LA HAUTEUR DU MÂT CENTRAL. Desserrez les boutons fixant le poteau central intérieur au poteau central extérieur. Ajustez le poteau central intérieur à la hauteur désirée et serrez les boutons pour le fixer en place. Utilisez les multiples inserts filetés pour un ajustement parfait. Pièces : néant.
- 36 - Reportez-vous à l'image. RÉGLAGE DE L'ANGLE DU PÔLE CENTRAL. Desserrez les boutons fixant le poteau central intérieur au poteau central extérieur. Ajustez le poteau central intérieur à la hauteur désirée et serrez les boutons pour le fixer en place. Utilisez les multiples inserts filetés pour un ajustement parfait. Pièces : néant.
- 37 - Reportez-vous à l'image. INSTALLATION DU GOUVERNAIL TPR. Installez 4 goujons filetés M6 dans l'adaptateur TPR. Pièces : 1 adaptateur TPR, 4 goujons filetés M6 de 20 mm.
- 38 - Reportez-vous à l'image. Alignez les trous de montage à l'avant du gouvernail TPR avec le goujon fileté de l'adaptateur TPR. Fixez avec 2 écrous à embase M6. Les gouvernails TPR sont prêts à être installés sur le cockpit. Pièces : 2 x écrous à bride M6, 1 x gouvernail TPR (non inclus).
- 39 - Reportez-vous à l'image. INSTALLER LE PÔLE BUTTKICKER. Alignez les trous de montage sur le Poteau ButtKicker avec les inserts filetés sous le Bas du Siège. Boulonnez et fixez avec 2 boulons et rondelles M8. Pièces : 1 poteau ButtKicker, 2 boulons M8 16 mm, 2 rondelles M8.
- 40 - Reportez-vous à l'image. INSTALLER LE TAPIS DE SOURIS. Placez le tapis de souris sur le dessus de la plaque de vol. Une souris peut maintenant être utilisée. Le tapis de souris peut également être placé sur le dessus de la plaque de souris. Pièces : 1 tapis de souris.
- 41 - Reportez-vous à l'image. INSTALLATION DU TAPIS DE CLAVIER. Placez le tapis de clavier au-dessus de la place du clavier. Un clavier peut maintenant être utilisé. Pièces : 1 tapis de clavier.

AVERTISSEMENT

- Veuillez ne pas utiliser d'outils électriques pour l'assemblage car un serrage excessif peut endommager votre cadre.
- Disposez et construisez le cockpit sur une surface plane.
- Ne forcez pas les pièces ensemble.
- Évitez de fausser le filetage des boulons.
- En cas de doute, consultez la vidéo d'installation.

ASSISTANCE

Si vous avez besoin d'une assistance supplémentaire avec votre produit, veuillez contacter notre équipe amicale à : support@nextlevelracing.com

Flight Simulator-instructiehandleiding

We weten dat je staat te popelen om te gaan racen! Neem de tijd voor de instructies en volg deze handleiding om uw product in elkaar te zetten. U maakt zich klaar voor succes door het instructieboekje te volgen om uw product volledig te optimaliseren. Voor montagevideo, QR-code scannen. bit.ly/nlrbuild. Volg ons. Scan QR-code

CONTROLES VOOR DE VLUCHT

WAARSCHUWING

- Gebruik voor de montage geen elektrisch gereedschap, omdat te vast aandraaien uw frame kan beschadigen.
- Leg de cockpit neer en bouw deze op een vlakke ondergrond.
- Forceer onderdelen niet samen.
- Vermijd het kruisen van bouten.
- Raadpleeg bij twijfel de installatievideo.

Als je ondersteuning nodig hebt met je product, neem dan contact op met ons vriendelijke team via: support@nextlevelracing.com

WAARSCHUWING VERSTIKKINGSGEVAAR

Kleine onderdelen niet voor kinderen jonger dan 3 jaar of personen die de neiging hebben om oneetbare voorwerpen in hun mond te stoppen.

BEGIN

- 01 - Zie afbeelding. A) Lijn de montagegaten op de pedaalhoekplaat uit met de sleuven op het pedaalframe. B) Bout door en zet vast met 4 x M8 bouten, vierkante ringen en flensmoeren. Onderdelen: 1 x pedaalframe, 1 x pedaalhoekplaat, 4 x M8 55 mm bouten, 4 x vierkante ringen, 4 x M8 flensmoeren.
- 02 - Zie afbeelding. A) Lijn de montagesleuven op de pedaalplaat uit met de schroefdraadinzetstukken op de pedaalhoekplaat. B) Bout door en zet vast met 4 x M8 bouten en ringen. Onderdelen: 1 x pedaalplaat, 4 x M8 16 mm bouten, 4 x M8 ringen.
- 03 - Zie afbeelding. A) Lijn de montagegaten op de stoelframes uit met de montagegaten en schroefdraadinzetstukken op het pedaalframe. B) Op de bovenkant van het frame, bout door en zet de stoelframes vast met 2 x M8 15 mm bouten en ringen. C) Bout door het midden van het frame en zet vast met 2 x M8 55 mm bouten, ringen en flensmoeren. Onderdelen: 2 x stoelframes, 2 x M8 55 mm bouten, 2 x M8 16 mm bouten, 4 x M8 ringen, 2 x M8 flensmoeren.
- 04 - Zie afbeelding. Lijn de inzetstukken met schroefdraad op de eindplaat uit met de montagegaten op het linker en rechter stoelframe. Bout door en zet vast met 4 x M8 bouten en ringen. Onderdelen: 1 x eindplaat, 4 x M8 55 mm bouten, 4 x M8 ringen.
- 05 - Zie afbeelding. Lijn de montagegaten op de zijpanelen uit met de doorgaande gaten op de stoelframes. Bout door en zet vast met 4 x M8 bouten, ringen en flensmoeren. Onderdelen: 2 x zijpanelen, 4 x M8 55 mm bouten, 4 x M8 ringen, 4 x M8 flensmoeren.
- 06 - Zie afbeelding. A) Lijn de montagegaten op de dwarsbalk uit met de doorgaande gaten op de linker en rechter stoelframes en zijpanelen. B) Bout door en zet vast met 4 x M8 bouten, ringen en flensmoeren. Onderdelen: 1 x dwarsbalk, 4 x M8 55 mm bouten, 4 x M8 ringen, 4 x M8 flensmoeren.
- 07 - Zie afbeelding. A) Oefen met het lichaamsgewicht druk uit op de stoelbasis. Trek met één hand de handgreep van de fauteuil omhoog en stel deze zo af dat de fauteuil loodrecht op de onderkant van de stoel staat. Herhaal aan de andere kant. B) Verwijder 4 x bolkopbouten die vooraf op de rugleuning zijn geïnstalleerd en lijn de schroefdraadinzetstukken op de rugleuning uit met de montagegaten op de onderkant van de stoel. C) Schroef door en zet vast met 4 x M8 bolkopbouten die eerder waren verwijderd. Verwijder de waarschuwinglabels op de fauteuils. Onderdelen: 1 x rugleuning, 1 x zitbodemp.
- 08 - Zie afbeelding. A) Trek de handgreep van de stoelschuif omhoog en zet de stoel in de meest voorwaartse positie. B) Lijn de montagegaten op de stoelgeleiders uit met de montagegaten van de stoel (zie afbeelding) op de linker en rechter stoelframes. C) Aan de achterkant doorschroeven en vastzetten met 2 x M8 vierkante halsbouten en flensmoeren. Onderdelen: 2 x M8 16 mm vierkante halsbouten, 2 x M8 flensmoeren.
- 09 - Zie afbeelding. A) Trek aan de handgreep van de stoelschuif en stel de stoel in de meest achterste positie. B) Aan de voorkant doorschroeven en vastzetten met 2 x M8 vierkante halsbouten en flensmoeren. Onderdelen: 2 x M8 16 mm vierkante halsbouten, 2 x M8 flensmoeren.
- 10 - Zie afbeelding. A) Lijn de montagesleuven op de linker en rechter zijarmen uit met de doorgaande gaten op de linker en rechter stoelframes en zijpanelen. B) Bout door en zet vast met 4 x M8 bouten, ringen en flensmoeren. Onderdelen: 2 x zijarmen, 4 x M8 55 mm bouten, 4 x M8 ringen, 4 x M8 flensmoeren.
- 11 - Zie afbeelding. Draai de bouten los om de zijarmen op de gewenste hoogte en hoek af te stellen. Draai de bouten vast om ze op hun plaats te vergrendelen. Gebruik de extra doorgaande gaten op de stoelframes voor het naar voren en achteren verstellen. Onderdelen: NIL
- 12 - Zie afbeelding. Lijn de draaieinden op de muisplaat en de vliegplaat uit met de montagegaten op de linker- en rechterzijarmen. Zet vast met 8 x M8 flensmoeren. OPMERKING: De platen zijn uitwisselbaar en kunnen worden gemonteerd voor links- of rechtshandige gebruikers. Onderdelen: 1 x muisplaat, 1 x vliegplaat, 8 x M8 flensmoeren.
- 13 - Zie afbeelding. OPTIONELE HOTAS INSTALLEREN. Lijn de montagegaten op de HOTAS-buitenste paal uit met de doorgaande gaten op de dwarsbalk. Bout door en zet vast met 2 x M8 bouten, ringen en flensmoeren. Onderdelen: 1 x HOTAS buitenste paal, 2 x M8 55 mm bouten, 2 x M8 ringen, 2 x M8 flensmoeren.
- 14 - Zie afbeelding. Lijn de inzetstukken met schroefdraad op de HOTAS-binnenste paal uit met de gleuf op de HOTAS-buitenste paal. Schroef door en zet vast met 2 x Knoppen. Onderdelen: 1 x HOTAS binnenste paal, 2 x 15 mm knoppen.
- 15 - Zie afbeelding. Lijn de montagegaten op de HOTAS-plaat uit met de doorgaande gaten op de HOTAS-binnenpaal. Bout door en zet vast met 3 x M8 bouten, ringen en flensmoeren. Onderdelen: 1 x HOTAS-plaat, 3 x M8 55 mm bouten, 3 x M8 16 mm ringen, 3 x M8 flensmoeren.
- 16 - Zie afbeelding. A) Lijn de montagegaten op de middelste buitenste paal uit met de gaten op het pedaalframe. B) Lijn het vattussenstuk uit met de gaten op de middelste buitenste paal. Bout door en zet vast met 2 x M8 bouten, ringen en flensmoeren. Onderdelen: 1 x middelste buitenste paal, 2 x M8 55 mm bouten, 2 x M8 sluitringen, 2 x M8 flensmoeren, 1 x vatafstandhouder. 17a - Zie afbeelding. Plaats de Middenpaal voorzichtig bovenop het Pedaalframe en zorg ervoor dat de vergrendeling omlaag is.
- 17b - Zie afbeelding. Haak de U-bout in het vergrendelingslipje op het pedaalframe.
- 17c - Zie afbeelding. Zorg ervoor dat de U-bout goed in het vergrendelingslipje zit en trek aan de vergrendeling totdat deze vastzit.
- 17d - Zie afbeelding. Voor een strakker slot maakt u de grendel los, stelt u de moeren aan de bovenkant van de grendel af en sluit u deze weer.
- 18 - Zie afbeelding. Installeer 1 x viltkussen op de bovenkant van de middelste binnenste paal. Lijn de inzetstukken met schroefdraad op de middelste binnenste paal uit met de sleuven op de middelste buitenste paal. Schroef door en zet vast met 2 x Knoppen. OPMERKING: Als er hoogwaardige jukken worden gebruikt, installeer dan de optionele steunbeugel (stap 23 - 26). Onderdelen: 1 x middelste binnenste paal, 2 x 15 mm knoppen, 1 x viltkussen.
- 19a - Zie afbeelding. MIDDENJUKPLAAT INSTALLEREN. Lijn de montagegaten op de middelste jukplaat uit met de doorgaande gaten op de middelste binnenste paal. Bout door en zet vast met 3 x M8 60 mm bouten, ringen en flensmoeren. Onderdelen: 1 x middelste jukplaat, 3 x M8 60 mm bouten, 3 x M8 16 mm ringen, 3 x M8 flensmoeren.
- 19b - Zie afbeelding. OPTIONELE TURTLE BEACH ADAPTER INSTALLEREN (vervolg vanaf 19a). A) Bout door 2 x M6-bouten in de achterste schroefdraadgaten op de middelste jukplaat. B) Lijn de montagegaten op de Turtle Beach-adapterplaat uit met de draaieinden en zet ze vast met 2 x M6 flensmoeren. Onderdelen: 1 x Turtle Beach-adapterplaat, 2 x M6 20 mm draaieinden, 2 x M6 flensmoeren.



support@nextlevelracing.com



Video Instruction: bit.ly/nlrbuild

- 19c - Zie afbeelding. BOEING-JUK/KLEMPLAAT INSTALLEREN. A) Plaats de klemplaat bovenop de middelste binnenpaal. B) Schuif de klemplaat naar voren en lijn de montagegaten op de middelste binnenpaal en de klemplaat uit. C) Bout door en zet vast met 2 x M8 bouten, ringen en flensmoeren. Onderdelen: 1 x klemplaat, 2 x M8 55 mm bouten, 2 x M8 ringen, 2 x M8 flensmoeren
- 19d - Zie afbeelding. MIDDELSTE TOETSENBORDPLAAT INSTALLEREN. Lijn de montagegaten en sleuven op de toetsenbordplaat uit met de doorgaande gaten op de middelste binnenpaal. Bout door en zet vast met 2 x M8 bouten, ringen en flensmoeren. Onderdelen: 1 x toetsenbordplaat, 2 x M8 55 mm bouten, 2 x M8 ringen, 2 x M8 flensmoeren.
- 20 - Zie afbeelding. Haal de veiligheidsgordel door de oogjes in de rugleuning. Lijn de bevestigingsgaten op elke bevestigingsplaat van de veiligheidsgordel uit met de doorgaande gaten op de stoelframes en de schroefdraadinzetstukken aan de onderkant van de stoel. Bout door en zet vast met 4 x M8 bouten, ringen en 2 x M8 flensmoeren. Onderdelen: 1 x veiligheidsgordel, 2 x M8 16 mm bouten, 2 x M8 55 mm bouten, 4 x M8 ringen, 2 x M8 flensmoeren.
- 21 - Zie afbeelding. Lijn de Verstelbare Voeten uit met de inzetstukken met schroefdraad aan de onderkant van het pedaalframe en de stoelframes. Vergrendel ze op hun plaats door de verstelbare voetjes in de inzetstukken met schroefdraad te draaien. Draai tegen de klok in om een verstelbare voet omhoog te brengen. Onderdelen: 6 x Verstelbare Voeten.
- 22 - Zie afbeelding. Je Flight Simulator-cockpit is voltooid. Onderdelen: NIL
- 23 - Zie afbeelding. OPTIONELE STEUNBEUGEL INSTALLEREN. Lijn het draaipunt op de steunbeugel uit met de montagegaten op de steunbeugel. Schroef door en zet vast met 1 x M8-bout, sluitring, loopafstandsstuk en flensmoer. Onderdelen: 1 x steunbeugel, 1 x steunbeugel, 1 x M8 55 mm bouten, 1 x vatafstandsstuk, 1 x M8 ring, 1 x M8 flensmoer.
- 24 - Zie afbeelding. A) Verwijder de knoppen waarmee de middelste binnenste paal aan de middelste buitenste paal is bevestigd en verwijder de middelste buitenste paal. B) Verwijder de 2 x M8 flensmoeren waarmee de HOTAS-buitenste paal aan de dwarsbalk is bevestigd. Onderdelen: NIL.
- 25 - Zie afbeelding. Lijn de montagegaten op de steunbeugel uit met de doorgaande gaten op de dwarsbalk. Zet vast met 2 x M8 flensmoeren die eerder zijn verwijderd in stap 24. Onderdelen: 2 x M8 flensmoeren.
- 26 - Zie afbeelding. A) Lijn de inzetstukken met schroefdraad op de middelste buitenste paal uit met de sleuven op de steunbeugel. Doorbuiten met 2 x Knoppen. B) Plaats de middelste binnenste paal in de middelste buitenste paal. Lijn de inzetstukken met schroefdraad op de middelste binnenste paal uit met de gleuf in de middelste buitenste paal. Schroef door en zet vast met 2 x Knoppen. Onderdelen: 1 x centrale binnenpool, 4 x 15 mm knoppen.
- 27 - Zie afbeelding. OPTIONELE TOETSENBORDPLAAT ZIJ MOUNT. Lijn de montagesleuven op de toetsenbordarm uit met de gaten op de muisplaat. Bout door en zet vast met 2 x M6 bouten, ringen en flensmoeren. Onderdelen: 1 x toetsenbordarm, 2 x M6 16 mm bouten, 2 x M6 ringen, 2 x M6 flensmoeren.
- 28 - Zie afbeelding. Lijn de montagegaten op de toetsenbordplaat uit met de doorgaande gaten op de toetsenbordarm. Bout door en zet vast met 2 x M8 bouten, ringen en flensmoeren. Onderdelen: 1 x toetsenbordplaat, 2 x M8 55 mm bouten, 2 x M8 ringen, 2 x M8 flensmoeren.
- 29 - Zie afbeelding. OPTIONELE RECHTE ZIJARM. A) Verwijder 2 x M8 bouten, ringen en flensmoeren waarmee de zijarm is bevestigd. Maak de vliegplaat los van de zijarm. B) Verwijder 2 x M8-bouten, ringen en flensmoeren waarmee een kant van de dwarsbalk aan het frame van de stoel is bevestigd. Onderdelen: NIL.
- 30 - Zie afbeelding. A) Lijn de rechte zijarm uit met de doorgaande gaten in het stoelframe en de dwarsbalk. B) Bout door en zet vast met 2 x M8 bouten, ringen en flensmoeren die in stap 29 zijn verwijderd. Onderdelen: 1 x rechte zijarm, 2 x M8 55 mm bouten, 2 x M8 ringen, 2 x M8 flensmoeren.
- 31 - Zie afbeelding. Lijn de draaideinden van de muisplaat uit met de montagegaten op de rechte zijarm. Zet vast met 4 x M8 flensmoeren. Onderdelen: 4 x M8 flensmoeren.
- 32 - Zie afbeelding. PEDAAPLAAT HOEKVERSTELLING. Verwijder de voorste bouten, vierkante ringen en flensmoeren waarmee de pedaalhoekplaat aan het pedaalframe is bevestigd en draai de achterste bouten los. Pas de gewenste hoek aan. Bout door en zet vast met de eerder verwijderde bouten, vierkante ringen en flensmoeren. Onderdelen: NIL.
- 33 - Zie afbeelding. HOTAS POLE HOOGTE AANPASSING. Maak de knoppen los waarmee de HOTAS-binnenste paal aan de HOTAS-buitenste paal is bevestigd. Stel af op de gewenste hoogte en draai de knoppen vast om ze op hun plaats te vergrendelen. Onderdelen: NIL
- 34 - Zie afbeelding. HOTAS PAAL HOEK AANPASSING. Verwijder de voorste bouten, ringen en flensmoeren waarmee de HOTAS-plaat aan de HOTAS-binnenpool is bevestigd. Hoek naar de gewenste positie. Bout door en zet vast met 1 x bout, ring en flensmoer die eerder zijn verwijderd. Onderdelen: NIL.
- 35 - Zie afbeelding. MIDDENPOEL HOOGTE VERSTELLING. Draai de knoppen los waarmee de binnenste middenpaal aan de buitenste middenpaal is bevestigd. Stel de binnenste middenpaal af op de gewenste hoogte en draai de knoppen vast om ze op hun plaats vast te zetten. Gebruik de inzetstukken met meerdere schroefdraad voor een perfecte pasvorm. Onderdelen: NIL.
- 36 - Zie afbeelding. MIDDENPOEL HOEKVERSTELLING. Draai de knoppen los waarmee de binnenste middenpaal aan de buitenste middenpaal is bevestigd. Stel de binnenste middenpaal af op de gewenste hoogte en draai de knoppen vast om ze op hun plaats vast te zetten. Gebruik de inzetstukken met meerdere schroefdraad voor een perfecte pasvorm. Onderdelen: NIL.
- 37 - Zie afbeelding. TPR ROER INSTALLATIE. Installeer 4 x M6 draaideinden in de TPR-adaptor. Onderdelen: 1 x TPR-adaptor, 4 x M6 20 mm draaideinden.
- 38 - Zie afbeelding. Lijn de montagegaten aan de voorkant van het TPR-roer uit met de draaideinden op de TPR-adaptor. Zet vast met 2 x M6 flensmoeren. De TPR-roeren zijn klaar om op de cockpit te worden geïnstalleerd. Onderdelen: 2 x M6 flensmoeren, 1 x TPR roer (niet inbegrepen).
- 39 - Zie afbeelding. BUTTKICKER PAAL INSTALLEREN. Lijn de montagegaten op de ButtKicker Pole uit met de inzetstukken met schroefdraad onder de onderkant van de stoel. Bout door en zet vast met 2 x M8 bouten en ringen. Onderdelen: 1 x ButtKicker-paal, 2 x M8 16 mm-bouten, 2 x M8-ring.
- 40 - Zie afbeelding. MUISMAT INSTALLEREN. Plaats de muismat op de Flight Plate. Er kan nu een muis worden gebruikt. De muismat kan ook op de muisplaat worden geplaatst. Onderdelen: 1 x muismat.
- 41 - Zie afbeelding. TOETSENBORD MAT INSTALLEREN. Plaats de toetsenbordmat bovenop de toetsenbordplaat. Er kan nu een toetsenbord worden gebruikt. Onderdelen: 1 x toetsenbordmat.

WAARSCHUWING

- Gebruik voor de montage geen elektrisch gereedschap, omdat te vast aandraaien uw frame kan beschadigen.
- Leg de cockpit neer en bouw deze op een vlakke ondergrond.
- Forceer onderdelen niet samen.
- Vermijd het kruisen van bouten.
- Raadpleeg bij twijfel de installatievideo.

BIJSTAND

Als je meer ondersteuning nodig hebt met je product, neem dan contact op met ons vriendelijke team via: support@nextlevelracing.com

IT

Manuale di istruzioni del simulatore di volo

Sappiamo che non vedi l'ora di iniziare a correre! Prenditi il tuo tempo con le istruzioni e segui questa guida per assemblare il tuo prodotto. Ti preparerai al successo seguendo il libretto di istruzioni per ottimizzare completamente il tuo prodotto. Per il video di montaggio, scansionare il codice QR. bit.ly/nlrbuild. Seguici. Scansiona il codice QR

CONTROLLI PRE-VOLO

AVVERTIMENTO

- Si prega di non utilizzare utensili elettrici per il montaggio poiché un serraggio eccessivo può danneggiare il telaio.
- Disporre e costruire la cabina di pilotaggio su una superficie piana.
- Non forzare le parti insieme.
- Evitare bulloni con filettatura incrociata.
- In caso di dubbio consultare il video di installazione.

Se hai bisogno di supporto con il tuo prodotto, contatta il nostro team amichevole all'indirizzo: support@nextlevelracing.com

ATTENZIONE PERICOLO DI SOFFOCAMENTO

Piccole parti non per bambini sotto i 3 anni o per qualsiasi individuo che ha la tendenza a mettere in bocca oggetti non commestibili.

INIZIO

- 01 - Fare riferimento all'immagine. A) Allineare i fori di montaggio sulla piastra angolare del pedale con le fessure sul telaio del pedale. B) Avvitare e fissare con 4 bulloni M8, rondelle quadrate e dadi flangiati. Parti: 1 telaio del pedale, 1 piastra angolare del pedale, 4 bulloni M8 da 55 mm, 4 rondelle quadrate, 4 dadi flangiati M8.
- 02 - Fare riferimento all'immagine. A) Allineare le fessure di montaggio sulla piastra del pedale con gli inserti filettati sulla piastra angolare del pedale. B) Imbullonare e fissare con 4 bulloni e rondelle M8. Parti: 1 piastra del pedale, 4 bulloni M8 da 16 mm, 4 rondelle M8.
- 03 - Fare riferimento all'immagine. A) Allineare i fori di montaggio sui telai del sedile con i fori di montaggio e gli inserti filettati sul telaio dei pedali. B) Sulla parte superiore del telaio, avvitare e fissare i telai dei sedili con 2 bulloni e rondelle M8 da 15 mm. C) Imbullonare al centro del telaio e fissarlo con 2 bulloni M8 da 55 mm, rondelle e dadi flangiati. Parti: 2 telai sedile, 2 bulloni M8 da 55 mm, 2 bulloni M8 da 16 mm, 4 rondelle M8, 2 dadi flangiati M8.
- 04 - Fare riferimento all'immagine. Allineare gli inserti filettati sulla piastra terminale con i fori di montaggio sui telai dei sedili sinistro e destro. Fissare e fissare con 4 bulloni e rondelle M8. Parti: 1 piastra terminale, 4 bulloni M8 da 55 mm, 4 rondelle M8.
- 05 - Fare riferimento all'immagine. Allineare i fori di montaggio sui pannelli laterali con i fori passanti sui telai dei sedili. Avvitare e fissare con 4 bulloni M8, rondelle e dadi flangiati. Parti: 2 pannelli laterali, 4 bulloni M8 da 55 mm, 4 rondelle M8, 4 dadi flangiati M8.
- 06 - Fare riferimento all'immagine. A) Allineare i fori di montaggio sulla traversa con i fori passanti sui telai dei sedili sinistro e destro e sui pannelli laterali. B) Avvitare e fissare con 4 bulloni M8, rondelle e dadi flangiati. Parti: 1 traversa, 4 bulloni M8 da 55 mm, 4 rondelle M8, 4 dadi flangiati M8.
- 07 - Fare riferimento all'immagine. A) Applicare pressione alla base del sedile con il peso del corpo. Sollevare la maniglia della poltrona reclinabile con una mano e regolare in modo che la poltrona sia perpendicolare al fondo del sedile. Ripeti dall'altro lato. B) Disinstallare 4 bulloni a testa bombata preinstallati sullo schienale del sedile e allineare gli inserti filettati sullo schienale del sedile con i fori di montaggio sul fondo del sedile. C) Avvitare e fissare con 4 bulloni a testa bombata M8 precedentemente disinstallati. Rimuovere le etichette di avvertenza sulle poltrone reclinabili. Parti: 1 x schienale del sedile, 1 x fondo del sedile.
- 08 - Fare riferimento all'immagine. A) Tirare verso l'alto la maniglia di scorrimento del sedile e regolare il sedile nella posizione più avanzata. B) Allineare i fori di montaggio sui cursori del sedile con le posizioni di montaggio del sedile (fare riferimento all'immagine) sui telai del sedile sinistro e destro. C) Nella parte posteriore, avvitare e fissare con 2 bulloni a collo quadrato M8 e dadi flangiati. Parti: 2 bulloni a collo quadrato M8 da 16 mm, 2 dadi flangiati M8.
- 09 - Fare riferimento all'immagine. A) Tirare la maniglia di scorrimento del sedile e regolare il sedile nella posizione più arretrata. B) Nella parte anteriore, avvitare e fissare con 2 bulloni a collo quadrato M8 e dadi flangiati. Parti: 2 bulloni a collo quadrato M8 da 16 mm, 2 dadi flangiati M8.
- 10 - Fare riferimento all'immagine. A) Allineare le fessure di montaggio sui bracci laterali sinistro e destro con i fori passanti sui telai dei sedili sinistro e destro e sui pannelli laterali. B) Avvitare e fissare con 4 bulloni M8, rondelle e dadi flangiati. Parti: 2 bracci laterali, 4 bulloni M8 da 55 mm, 4 rondelle M8, 4 dadi flangiati M8.
- 11 - Fare riferimento all'immagine. Allentare i bulloni per regolare i bracci laterali all'altezza e all'angolo desiderati. Stringere i Bulloni per bloccarli in posizione. Si prega di utilizzare i fori passanti aggiuntivi sui telai dei sedili per la regolazione avanti e indietro. Parti: NIL
- 12 - Fare riferimento all'immagine. Allineare i prigionieri filettati sulla piastra del mouse e la piastra di volo con i fori di montaggio sui bracci laterali sinistro e destro. Fissare con 8 dadi flangiati M8. NOTA: le piastre sono intercambiabili e possono essere montate per ospitare utenti mancini o destri. Parti: 1 piastra per mouse, 1 piastra di volo, 8 dadi flangiati M8.
- 13 - Fare riferimento all'immagine. INSTALLAZIONE HOTAS FACOLTATIVA. Allineare i fori di montaggio sull'asta esterna HOTAS con i fori passanti sulla traversa. Avvitare e fissare con 2 bulloni M8, rondelle e dadi flangiati. Parti: 1 polo esterno HOTAS, 2 bulloni M8 da 55 mm, 2 rondelle M8, 2 dadi flangiati M8.
- 14 - Fare riferimento all'immagine. Allineare gli inserti filettati sul palo interno HOTAS con la fessura sul palo esterno HOTAS. Imbullona e fissa con 2 manopole. Parti: 1 palo interno HOTAS, 2 manopole da 15 mm.
- 15 - Fare riferimento all'immagine. Allineare i fori di montaggio sulla piastra HOTAS con i fori passanti sul palo interno HOTAS. Avvitare e fissare con 3 bulloni M8, rondelle e dadi flangiati. Parti: 1 piastra HOTAS, 3 bulloni M8 da 55 mm, 3 rondelle M8 da 16 mm, 3 dadi flangiati M8.
- 16 - Fare riferimento all'immagine. A) Allineare i fori di montaggio sul polo esterno centrale con i fori sul telaio del pedale. B) Allineare il distanziatore della canna con i fori sul polo esterno centrale. Avvitare e fissare con 2 bulloni M8, rondelle e dadi flangiati. Parti: 1 polo esterno centrale, 2 bulloni M8 da 55 mm, 2 rondelle M8, 2 dadi flangiati M8, 1 distanziatore del cilindro. 17a - Fare riferimento all'immagine. Posizionare delicatamente l'asta centrale sopra il telaio del pedale e assicurarsi che il fermo sia abbassato.
- 17b - Fare riferimento all'immagine. Agganciare il bullone a U nella linguetta di bloccaggio sul telaio del pedale.
- 17c - Fare riferimento all'immagine. Assicurati che il bullone a U sia posizionato correttamente nella linguetta di bloccaggio e tira il fermo finché non è ben stretto.
- 17d - Fare riferimento all'immagine. Per un bloccaggio più stretto, svitare il fermo, regolare i dadi nella parte superiore del fermo e richiuderlo.
- 18 - Fare riferimento all'immagine. Installare 1 x feltrino sulla parte superiore del palo interno centrale. Allineare gli inserti filettati sul palo interno centrale con le fessure sul polo esterno centrale. Imbullona e fissa con 2 manopole. NOTA: se si utilizzano giochi di fascia alta, installare la staffa di supporto opzionale (passaggi 23 - 26). Parti: 1 x polo interno centrale, 2 manopole da 15 mm, 1 x feltrino.
- 19a - Fare riferimento all'immagine. PIASTRA CENTRALE GIOCO INSTALL. Allineare i fori di montaggio sulla piastra del gioco centrale con i fori passanti sul polo interno centrale. Avvitare e fissare con 3 bulloni M8 da 60 mm, rondelle e dadi flangiati. Parti: 1 piastra del gioco centrale, 3 bulloni M8 da 60 mm, 3 rondelle M8 da 16 mm, 3 dadi flangiati M8.
- 19b - Fare riferimento all'immagine. INSTALLAZIONE DELL'ADATTATORE TARTARUGA FACOLTATIVO (Continua da 19a). A) Avvitare attraverso 2 prigionieri M6 nei fori filettati più posteriori sulla piastra del gioco centrale. B) Allineare i fori di montaggio sulla piastra adattatore Turtle Beach con i prigionieri filettati, fissarli con 2 dadi flangiati M6. Parti: 1 piastra adattatore Turtle Beach, 2 prigionieri filettati M6 da 20 mm, 2 dadi flangiati M6.



support@nextlevelracing.com



Video Instruction: bit.ly/nlrbuid

- 19c - Fare riferimento all'immagine. INSTALLAZIONE BOEING YOKE/CLAMP PLACCA. A) Posizionare la piastra di bloccaggio sopra il polo interno centrale. B) Far scorrere la piastra di fissaggio in avanti e allineare i fori di montaggio sul polo interno centrale e la piastra di fissaggio. C) Avvitare e fissare con 2 bulloni M8, rondelle e dadi flangiati. Parti: 1 piastra di fissaggio, 2 bulloni M8 da 55 mm, 2 rondelle M8, 2 dadi flangiati M8
- 19d - Fare riferimento all'immagine. PLACCA TASTIERA CENTRALE INSTALL. Allineare i fori di montaggio e le fessure sulla piastra della tastiera con i fori passanti sul polo interno centrale. Avvitare e fissare con 2 bulloni M8, rondelle e dadi flangiati. Parti: 1 piastra per tastiera, 2 bulloni M8 da 55 mm, 2 rondelle M8, 2 dadi flangiati M8
- 20 - Fare riferimento all'immagine. Infilare la cintura di sicurezza attraverso gli occhielli nello schienale del sedile. Allineare i fori di montaggio su ciascuna piastra di montaggio della cintura di sicurezza con i fori passanti sui telai del sedile e gli inserti filettati sul lato inferiore del fondo del sedile. Avvitare e fissare con 4 bulloni M8, rondelle e 2 dadi flangiati M8. Parti: 1 cintura di sicurezza, 2 bulloni M8 da 16 mm, 2 bulloni M8 da 55 mm, 4 rondelle M8, 2 dadi flangiati M8.
- 21 - Fare riferimento all'immagine. Allineare i piedini regolabili con gli inserti filettati sul fondo del telaio del pedale e del telaio del sedile. Bloccare in posizione ruotando i piedini regolabili negli inserti filettati. Per sollevare un piedino regolabile, ruotare in senso antiorario. Parti: 6 piedini regolabili.
- 22 - Fare riferimento all'immagine. La tua cabina di pilotaggio del simulatore di volo è completa. Parti: NIL
- 23 - Fare riferimento all'immagine. STAFFA DI SUPPORTO OPZIONALE INSTALL. Allineare il punto di articolazione sulla staffa di supporto con i fori di montaggio sul supporto della staffa di supporto. Imbullonare e fissare con 1 bullone M8, rondella, distanziatore del cilindro e dado flangiato. Parti: 1 x staffa di supporto, 1 x supporto per staffa di supporto, 1 x bulloni M8 da 55 mm, 1 x distanziatore del barilotto, 1 x rondella M8, 1 x dado flangiato M8.
- 24 - Fare riferimento all'immagine. A) Disinstallare le manopole che fissano il polo interno centrale al polo esterno centrale e rimuovere il polo esterno centrale. B) Disinstallare i 2 dadi flangiati M8 che fissano il palo esterno HOTAS alla traversa. Parti: NIL.
- 25 - Fare riferimento all'immagine. Allineare i fori di montaggio sulla staffa di supporto con i fori passanti sulla traversa. Fissare con 2 dadi flangiati M8 precedentemente disinstallati al punto 24. Parti: 2 dadi flangiati M8.
- 26 - Fare riferimento all'immagine. A) Allineare gli inserti filettati sul polo esterno centrale con le fessure sulla staffa di supporto. Imbullona con 2 manopole. B) Montare il Polo Interno Centrale nel Polo Esterno Centrale. Allineare gli inserti filettati sul polo interno centrale con la fessura nel polo esterno centrale. Imbullona e fissa con 2 manopole. Parti: 1 polo interno centrale, 4 manopole da 15 mm.
- 27 - Fare riferimento all'immagine. MONTAGGIO LATERALE PIASTRA TASTIERA OPZIONALE. Allineare le fessure di montaggio sul braccio della tastiera con i fori sulla piastra del mouse. Avvitare e fissare con 2 bulloni M6, rondelle e dadi flangiati. Parti: 1 braccio per tastiera, 2 bulloni M6 da 16 mm, 2 rondelle M6, 2 dadi flangiati M6.
- 28 - Fare riferimento all'immagine. Allineare i fori di montaggio sulla piastra della tastiera con i fori passanti sul braccio della tastiera. Avvitare e fissare con 2 bulloni M8, rondelle e dadi flangiati. Parti: 1 piastra per tastiera, 2 bulloni M8 da 55 mm, 2 rondelle M8, 2 dadi flangiati M8.
- 29 - Fare riferimento all'immagine. BRACCIO LATERALE DRITTO OPZIONALE. A) Disinstallare 2 bulloni M8, rondelle e dadi flangiati che fissano il braccio laterale. Staccare il Flight Plate dal braccio laterale. B) Disinstallare 2 bulloni M8, rondelle e dadi flangiati che fissano un lato della traversa al telaio del sedile. Parti: NIL.
- 30 - Fare riferimento all'immagine. A) Allineare il braccio laterale dritto con i fori passanti nel telaio del sedile e nella traversa. B) Avvitare e fissare con 2 bulloni M8, rondelle e dadi flangiati disinstallati al punto 29. Parti: 1 braccio laterale dritto, 2 bulloni M8 da 55 mm, 2 rondelle M8, 2 dadi flangiati M8.
- 31 - Fare riferimento all'immagine. Allineare i perni filettati della piastra del mouse con i fori di montaggio sul braccio laterale dritto. Fissare con 4 dadi flangiati M8. Parti: 4 dadi flangiati M8.
- 32 - Fare riferimento all'immagine. REGOLAZIONE DELL'ANGOLO DELLA PIASTRA DEL PEDALE. Disinstallare i bulloni anteriori, le rondelle quadrate e i dadi flangiati che fissano la piastra angolare del pedale al telaio del pedale e allentare i bulloni posteriori. Regolare all'angolazione desiderata. Imbullonare e fissare con i bulloni, le rondelle quadrate e i dadi flangiati precedentemente disinstallati. Parti: NIL.
- 33 - Fare riferimento all'immagine. REGOLAZIONE ALTEZZA PALO HOTAS. Allentare le manopole che fissano il palo interno HOTAS al palo esterno HOTAS. Regolare all'altezza desiderata e serrare le manopole per bloccarle in posizione. Parti: NIL.
- 34 - Fare riferimento all'immagine. REGOLAZIONE DELL'ANGOLO DEL PALO HOTAS. Disinstallare i bulloni anteriori, le rondelle e i dadi flangiati che fissano la piastra HOTAS al polo interno HOTAS. Angolo alla posizione desiderata. Avvitare e fissare con 1 bullone, rondella e dado flangiato precedentemente disinstallati. Parti: NIL.
- 35 - Fare riferimento all'immagine. REGOLAZIONE DELL'ALTEZZA DEL PALO CENTRALE. Allentare le manopole che fissano il polo centrale interno al polo centrale esterno. Regolare l'asta centrale interna all'altezza desiderata e serrare le manopole per fissarle in posizione. Utilizza i molteplici inserti filettati per una vestibilità perfetta. Parti: NIL.
- 36 - Fare riferimento all'immagine. REGOLAZIONE DELL'ANGOLO DEL POLO CENTRALE. Allentare le manopole che fissano il polo centrale interno al polo centrale esterno. Regolare l'asta centrale interna all'altezza desiderata e serrare le manopole per fissarle in posizione. Utilizza i molteplici inserti filettati per una vestibilità perfetta. Parti: NIL.
- 37 - Fare riferimento all'immagine. INSTALLAZIONE DEL TIMONE TPR. Installare 4 prigionieri filettati M6 nell'adattatore TPR. Parti: 1 adattatore TPR, 4 prigionieri filettati M6 da 20 mm.
- 38 - Fare riferimento all'immagine. Allineare i fori di montaggio sulla parte anteriore del timone TPR con il perno filettato sull'adattatore TPR. Fissare con 2 dadi flangiati M6. I timoni TPR sono pronti per essere installati in cabina di pilotaggio. Parti: 2 dadi flangiati M6, 1 timone TPR (non incluso).
- 39 - Fare riferimento all'immagine. BUTTKICKER PALO INSTALLAZIONE. Allineare i fori di montaggio sull'asta del butt kicker con gli inserti filettati sotto il fondo del sedile. Avvitare e fissare con 2 bulloni e rondelle M8. Parti: 1 x asta butt kicker, 2 x bulloni M8 da 16 mm, 2 x rondelle M8.
- 40 - Fare riferimento all'immagine. INSTALLAZIONE DEL TAPPETINO PER MOUSE. Posiziona il tappetino per mouse sopra il Flight Plate. È ora possibile utilizzare un mouse. Il tappetino per mouse può anche essere posizionato sopra la piastra del mouse. Parti: 1 tappetino per mouse.
- 41 - Fare riferimento all'immagine. TAPPETINO TASTIERA INSTALL. Posiziona il tappetino per tastiera sopra la posizione della tastiera. È ora possibile utilizzare una tastiera. Parti: 1 tappetino per tastiera.

AVVERTIMENTO

- Si prega di non utilizzare utensili elettrici per il montaggio poiché un serraggio eccessivo può danneggiare il telaio.
- Disporre e costruire la cabina di pilotaggio su una superficie piana.
- Non forzare le parti insieme.
- Evitare bulloni con filettatura incrociata.
- In caso di dubbio, consultare il video di installazione.

ASSISTENZA

Se hai bisogno di ulteriore supporto con il tuo prodotto, contatta il nostro team amichevole all'indirizzo: support@nextlevelracing.com

ES

Manual de instrucciones del simulador de vuelo

¡Sabemos que estás ansioso por empezar a competir! Tómese su tiempo con las instrucciones y siga esta guía para ensamblar su producto. Se estará preparando para el éxito siguiendo el folleto de instrucciones para optimizar completamente su producto. Para el video de montaje, escanee el código QR. bit.ly/nlrbuid. Sigamos. Escanear código QR

COMPROBACIONES PREVIAS AL VUELO

ADVERTENCIA

- No utilice herramientas eléctricas para el montaje, ya que un ajuste excesivo puede dañar el marco.
- Diseñe y construya la cabina sobre una superficie nivelada.
- No fuerce las piezas para unir las.
- Evite los pernos de rosca cruzada.
- En caso de duda consulte el video de instalación.

Si necesita asistencia con su producto, comuníquese con nuestro amable equipo en: support@nextlevelracing.com

ADVERTENCIA PELIGRO DE ASFIXIA

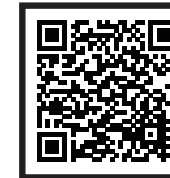
Piezas pequeñas no para niños menores de 3 años o cualquier persona que tenga tendencia a llevarse objetos no comestibles a la boca.

COMIENZO

- 01 - Consulte la imagen. A) Alinee los orificios de montaje de la placa angular del pedal con las ranuras de la estructura del pedal. B) Atornille y asegúrelo con 4 pernos M8, arandelas cuadradas y tuercas con brida. Piezas: 1 marco de pedal, 1 placa de ángulo de pedal, 4 pernos M8 de 55 mm, 4 arandelas cuadradas, 4 tuercas de brida M8.
- 02 - Consulte la imagen. A) Alinee las ranuras de montaje en la placa del pedal con las inserciones roscadas en la placa del ángulo del pedal. B) Atornille y asegúrelo con 4 pernos y arandelas M8. Piezas: 1 placa de pedal, 4 pernos M8 de 16 mm, 4 arandelas M8.
- 03 - Consulte la imagen. A) Alinee los orificios de montaje en los marcos del asiento con los orificios de montaje y las inserciones roscadas en el marco del pedal. B) En la parte superior del marco, atornille y asegure los marcos del asiento con 2 pernos y arandelas M8 de 15 mm. C) Atornille a través del centro del marco y asegúrelo con 2 pernos M8 de 55 mm, arandelas y tuercas con brida. Piezas: 2 marcos de asiento, 2 pernos M8 de 55 mm, 2 pernos M8 de 16 mm, 4 arandelas M8, 2 tuercas de brida M8.
- 04 - Consulte la imagen. Alinee los insertos roscados en la placa final con los orificios de montaje en los marcos del asiento izquierdo y derecho. Atornille y asegúrelo con 4 pernos y arandelas M8. Piezas: 1 placa final, 4 pernos M8 de 55 mm, 4 arandelas M8.
- 05 - Consulte la imagen. Alinee los orificios de montaje de los paneles laterales con los orificios pasantes de las estructuras de los asientos. Atornille y asegúrelo con 4 pernos M8, arandelas y tuercas con reborde. Piezas: 2 paneles laterales, 4 pernos M8 de 55 mm, 4 arandelas M8, 4 tuercas con brida M8.
- 06 - Consulte la imagen. A) Alinee los orificios de montaje en el travesaño con los orificios pasantes en los marcos del asiento izquierdo y derecho y los paneles laterales. B) Atornille y asegúrelo con 4 pernos M8, arandelas y tuercas con reborde. Piezas: 1 travesaño, 4 pernos M8 de 55 mm, 4 arandelas M8, 4 tuercas de brida M8.
- 07 - Consulte la imagen. A) Aplique presión a la base del asiento con el peso del cuerpo. Tire hacia arriba de la manija del sillón reclinable con una mano y ajústela de modo que el sillón reclinable quede perpendicular con la parte inferior del asiento. Repita en el otro lado. B) Desinstale los 4 pernos de cabeza abovedada que están preinstalados en el respaldo del asiento y alinee las inserciones roscadas en el respaldo del asiento con los orificios de montaje en la parte inferior del asiento. C) Atornille y asegúrelo con 4 pernos de cabeza abovedada M8 que se desinstalaron previamente. Retire las etiquetas de advertencia de los sillones reclinables. Piezas: 1 x respaldo del asiento, 1 x parte inferior del asiento.
- 08 - Consulte la imagen. A) Tire de la manija del deslizador del asiento hacia arriba y ajuste el asiento en la posición más adelantada. B) Alinee los orificios de montaje en los deslizadores del asiento con las ubicaciones de montaje del asiento (consulte la imagen) en los marcos del asiento izquierdo y derecho. C) En la parte trasera, atornille y asegúrelo con 2 pernos de cuello cuadrado M8 y tuercas con brida. Piezas: 2 pernos de cuello cuadrado M8 de 16 mm, 2 tuercas de brida M8.
- 09 - Consulte la imagen. A) Tire de la manija del deslizador del asiento y ajuste el asiento en la posición más trasera. B) En la parte delantera, atornille y asegúrelo con 2 pernos de cuello cuadrado M8 y tuercas con brida. Piezas: 2 pernos de cuello cuadrado M8 de 16 mm, 2 tuercas de brida M8.
- 10 - Consulte la imagen. A) Alinee las ranuras de montaje en los brazos laterales izquierdo y derecho con los orificios pasantes en los marcos del asiento izquierdo y derecho y los paneles laterales. B) Atornille y asegúrelo con 4 pernos M8, arandelas y tuercas con reborde. Piezas: 2 brazos laterales, 4 pernos M8 de 55 mm, 4 arandelas M8, 4 tuercas de brida M8.
- 11 - Consulte la imagen. Afloje los pernos para ajustar los brazos laterales a la altura y el ángulo deseados. Apriete los pernos para bloquear en su lugar. Utilice los orificios pasantes adicionales en los marcos de los asientos para el ajuste hacia atrás y hacia adelante. Partes: NINGUNO
- 12 - Consulte la imagen. Alinee los pernos roscados de la placa del ratón y la placa de vuelo con los orificios de montaje de los brazos laterales izquierdo y derecho. Asegúrelo con 8 tuercas de brida M8. NOTA: Las placas son intercambiables y se pueden montar para adaptarse a usuarios diestros o zurdos. Piezas: 1 placa de ratón, 1 placa de vuelo, 8 tuercas de brida M8.
- 13 - Consulte la imagen. INSTALACIÓN DE HOTAS OPCIONALES. Alinee los orificios de montaje del poste exterior HOTAS con los orificios pasantes del travesaño. Atornille y asegúrelo con 2 pernos M8, arandelas y tuercas con reborde. Piezas: 1 poste exterior HOTAS, 2 pernos M8 de 55 mm, 2 arandelas M8, 2 tuercas de brida M8.
- 14 - Consulte la imagen. Alinee las inserciones roscadas del poste interior HOTAS con la ranura del poste exterior HOTAS. Atornille y asegúrelo con 2 perillas. Piezas: 1 barra interior HOTAS, 2 perillas de 15 mm.
- 15 - Consulte la imagen. Alinee los orificios de montaje de la placa HOTAS con los orificios pasantes del poste interior HOTAS. Atornille y asegúrelo con 3 pernos M8, arandelas y tuercas con reborde. Piezas: 1 placa HOTAS, 3 pernos M8 de 55 mm, 3 arandelas M8 de 16 mm, 3 tuercas de brida M8.
- 16 - Consulte la imagen. A) Alinee los agujeros de montaje en el Poste Exterior Central con los agujeros en el Marco del Pedal. B) Alinee el espaciador cilíndrico con los orificios del poste exterior central. Atornille y asegúrelo con 2 pernos M8, arandelas y tuercas con reborde. Piezas: 1 poste exterior central, 2 pernos M8 de 55 mm, 2 arandelas M8, 2 tuercas de brida M8, 1 espaciador cilíndrico. 17a - Consulte la imagen. Coloque con cuidado el poste central sobre la estructura del pedal y asegúrese de que el pestillo esté hacia abajo.
- 17b - Consulte la imagen. Enganche el perno en U en la lengüeta de bloqueo de la estructura del pedal.
- 17c - Consulte la imagen. Asegúrese de que el perno en U esté colocado correctamente en la lengüeta de bloqueo y tire del pestillo hasta que quede apretado.
- 17d - Consulte la imagen. Para un bloqueo más apretado, deshaga el pestillo, ajuste las tuercas en la parte superior del pestillo y vuelva a cerrarlo.
- 18 - Consulte la imagen. Instale 1 almohadilla de fieltro en la parte superior del poste interior central. Alinee las inserciones roscadas del poste interior central con las ranuras del poste exterior central. Atornille y asegúrelo con 2 perillas. NOTA: Si se utilizan yugos de gama alta, instale el soporte de soporte opcional (Paso 23 - 26). Piezas: 1 barra interior central, 2 botones de 15 mm, 1 almohadilla de fieltro.
- 19a - Consulte la imagen. INSTALACIÓN DE LA PLACA DEL YUGO CENTRAL. Alinee los orificios de montaje de la placa del yugo central con los orificios pasantes del poste interno central. Atornille y asegúrelo con 3 pernos M8 de 60 mm, arandelas y tuercas con reborde. Piezas: 1 placa de yugo central, 3 pernos M8 de 60 mm, 3 arandelas M8 de 16 mm, 3 tuercas de brida M8.
- 19b - Consulte la imagen. INSTALACIÓN DEL ADAPTADOR TURTLE BEACH OPCIONAL (Continúa desde 19a). A) Atornille a través de 2 espárragos M6 en los orificios roscados más traseros en la placa del yugo central. B) Alinee los orificios de montaje de la placa adaptadora Turtle Beach con los pernos roscados y asegúrelos con 2 tuercas con brida M6. Piezas: 1 placa adaptadora Turtle Beach, 2 espárragos roscados M6 de 20 mm, 2 tuercas con brida M6.



support@nextlevelracing.com



Video Instruction: bit.ly/nlrbuild

- 19c - Consulte la imagen. **INSTALACIÓN DE LA PLACA DE ABRAZADERA YUGO BOEING.** A) Coloque la placa de sujeción encima del poste interior central. B) Deslice la placa de abrazadera hacia adelante y alinee los orificios de montaje en el poste interno central y la placa de abrazadera. C) Atornille y asegúrelo con 2 pernos M8, arandelas y tuercas con brida. Piezas: 1 placa de abrazadera, 2 pernos M8 de 55 mm, 2 arandelas M8, 2 tuercas de brida M8
- 19d - Consulte la imagen. **INSTALACIÓN DE LA PLACA CENTRAL DEL TECLADO.** Alinee los orificios de montaje y las ranuras de la placa del teclado con los orificios pasantes del poste interno central. Atornille y asegúrelo con 2 pernos M8, arandelas y tuercas con reborde. Piezas: 1 placa de teclado, 2 pernos M8 de 55 mm, 2 arandelas M8, 2 tuercas de brida M8.
- 20 - Consulte la imagen. Pase el cinturón de seguridad a través de los ojales en el respaldo del asiento. Alinee los orificios de montaje en cada placa de montaje del cinturón de seguridad con los orificios pasantes en los marcos del asiento y las inserciones roscadas en la parte inferior del asiento. Atornille y asegúrelo con 4 pernos M8, arandelas y 2 tuercas con reborde M8. Piezas: 1 cinturón de seguridad, 2 pernos M8 de 16 mm, 2 pernos M8 de 55 mm, 4 arandelas M8, 2 tuercas de brida M8.
- 21 - Consulte la imagen. Alinee las patas ajustables con las inserciones roscadas en la parte inferior de la estructura del pedal y las estructuras del asiento. Bloquee en su lugar girando las patas ajustables en las inserciones roscadas. Para levantar una pata ajustable, gírela en sentido contrario a las agujas del reloj. Piezas: 6 pies ajustables.
- 22 - Consulte la imagen. Su cabina de Flight Simulator está completa. Partes: NINGUNO
- 23 - Consulte la imagen. **INSTALACIÓN DEL SOPORTE DE SOPORTE OPCIONAL.** Alinee el punto de pivote del soporte de soporte con los orificios de montaje del soporte de montaje. Atornille y asegúrelo con 1 perno M8, arandela, espaciador cilíndrico y tuercas con reborde. Piezas: 1 soporte de soporte, 1 soporte de montaje de soporte, 1 perno M8 de 55 mm, 1 espaciador cilíndrico, 1 arandela M8, 1 tuercas de brida M8.
- 24 - Consulte la imagen. A) Desinstale las perillas que sujetan el poste interior central al poste exterior central y retire el poste exterior central. B) Desinstale las 2 tuercas con brida M8 que sujetan el poste exterior HOTAS al travesaño. Partes: NIL.
- 25 - Consulte la imagen. Alinee los orificios de montaje del soporte de soporte con los orificios pasantes del travesaño. Asegure con 2 tuercas con reborde M8 previamente desinstaladas en el paso 24. Piezas: 2 tuercas con reborde M8.
- 26 - Consulte la imagen. A) Alinee las inserciones roscadas en el poste externo central con las ranuras en el soporte de soporte. Atornille con 2 perillas. B) Coloque el poste interior central en el poste exterior central. Alinee las inserciones roscadas del poste interior central con la ranura del poste exterior central. Atornillelo y asegúrelo con 2 perillas. Piezas: 1 barra interior central, 4 perillas de 15 mm.
- 27 - Consulte la imagen. **MONTAJE LATERAL DE LA PLACA DE TECLADO OPCIONAL.** Alinee las ranuras de montaje del brazo del teclado con los orificios de la placa del ratón. Atornille y asegúrelo con 2 pernos M6, arandelas y tuercas con reborde. Piezas: 1 brazo para teclado, 2 pernos M6 de 16 mm, 2 arandelas M6, 2 tuercas de brida M6.
- 28 - Consulte la imagen. Alinee los orificios de montaje de la placa del teclado con los orificios pasantes del brazo del teclado. Atornille y asegúrelo con 2 pernos M8, arandelas y tuercas con reborde. Piezas: 1 placa de teclado, 2 pernos M8 de 55 mm, 2 arandelas M8, 2 tuercas de brida M8.
- 29 - Consulte la imagen. **BRAZO LATERAL RECTO OPCIONAL.** A) Desinstale los 2 pernos M8, las arandelas y las tuercas con reborde que sujetan el brazo lateral. Separe la placa de vuelo del brazo lateral. B) Desinstale los 2 pernos M8, las arandelas y las tuercas con reborde que sujetan un lado del travesaño a la estructura del asiento. Partes: NIL.
- 30 - Consulte la imagen. A) Alinee el brazo lateral recto con los orificios pasantes en la estructura del asiento y el travesaño. B) Atornille y asegúrelo con 2 pernos M8, arandelas y tuercas con brida desinstaladas en el paso 29. Piezas: 1 brazo lateral recto, 2 pernos M8 de 55 mm, 2 arandelas M8, 2 tuercas con brida M8.
- 31 - Consulte la imagen. Alinee los pernos roscados de la placa del mouse con los orificios de montaje en el brazo lateral recto. Asegúrelo con 4 tuercas de brida M8. Piezas: 4 tuercas de brida M8.
- 32 - Consulte la imagen. **AJUSTE DEL ÁNGULO DE LA PLACA DEL PEDAL.** Desinstale los pernos delanteros, las arandelas cuadradas y las tuercas con reborde que sujetan la placa angular del pedal a la estructura del pedal y afloje los pernos traseros. Ajuste al ángulo deseado. Atornille y asegúrelo con los pernos, las arandelas cuadradas y las tuercas con brida que desinstaló anteriormente. Partes: NIL.
- 33 - Consulte la imagen. **REGULACIÓN DE LA ALTURA DEL POSTE HOTAS.** Afloje las perillas que sujetan el poste interior del HOTAS al poste exterior del HOTAS. Ajuste a la altura deseada y apriete las perillas para trabar en su lugar. Partes: NINGUNO
- 34 - Consulte la imagen. **AJUSTE DEL ÁNGULO DEL POSTE HOTAS.** Desinstale los pernos delanteros, las arandelas y las tuercas con reborde que sujetan la placa HOTAS al poste interior HOTAS. Ángulo a la posición deseada. Atornille y asegúrelo con 1 x Perno, Arandela y Tuercas con brida previamente desinstalados. Partes: NIL.
- 35 - Consulte la imagen. **AJUSTE DE LA ALTURA DEL POSTE CENTRAL.** Afloje las perillas que aseguran el poste central interno al poste central externo. Ajuste el poste central interno a la altura deseada y apriete las perillas para asegurarlo en su lugar. Utilice las múltiples inserciones roscadas para un ajuste perfecto. Partes: NIL.
- 36 - Consulte la imagen. **AJUSTE DEL ÁNGULO DEL POSTE CENTRAL.** Afloje las perillas que aseguran el poste central interno al poste central externo. Ajuste el poste central interno a la altura deseada y apriete las perillas para asegurarlo en su lugar. Utilice las múltiples inserciones roscadas para un ajuste perfecto. Partes: NIL.
- 37 - Consulte la imagen. **INSTALACIÓN DE TIMÓN TPR.** Instale 4 espárragos roscados M6 en el adaptador TPR. Piezas: 1 adaptador TPR, 4 espárragos roscados M6 de 20 mm.
- 38 - Consulte la imagen. Alinee los orificios de montaje en la parte delantera del timón TPR con el perno roscado en el adaptador TPR. Asegúrelo con 2 tuercas de brida M6. Los timones TPR están listos para instalar en la cabina. Piezas: 2 tuercas de brida M6, 1 timón TPR (no incluido).
- 39 - Consulte la imagen. **INSTALACIÓN DE POSTE BUTTKICKER.** Alinee los orificios de montaje en el ButtKicker Pole con los insertos roscados debajo de la parte inferior del asiento. Atornille y asegúrelo con 2 pernos y arandelas M8. Piezas: 1 barra ButtKicker, 2 pernos M8 de 16 mm, 2 arandelas M8.
- 40 - Consulte la imagen. **INSTALACIÓN DE LA ALFOMBRA DEL RATÓN.** Coloque la alfombra de ratón encima de la placa de vuelo. Ahora se puede utilizar un ratón. La alfombra para ratón también se puede colocar encima de la placa para ratón. Piezas: 1 alfombra para ratón.
- 41 - Consulte la imagen. **INSTALACIÓN DE LA ALFOMBRA DEL TECLADO.** Coloque la alfombra para teclado encima del lugar para teclado. Ahora se puede utilizar un teclado. Piezas: 1 alfombra para teclado.

ADVERTENCIA

- No utilice herramientas eléctricas para el montaje, ya que un ajuste excesivo puede dañar el marco.
- Diseñe y construya la cabina sobre una superficie nivelada.
- No fuerce las piezas para unir las.
- Evite los pernos de rosca cruzada.
- En caso de duda, consulte el vídeo de instalación.

ASISTENCIA

Si necesita más asistencia con su producto, póngase en contacto con nuestro amable equipo en: support@nextlevelracing.com

DE

Flugsimulator Bedienungsanleitung

Wir wissen, dass Sie begierig darauf sind, mit dem Rennen zu beginnen! Nehmen Sie sich Zeit für die Anweisungen und befolgen Sie diese Anleitung, um Ihr Produkt zusammenzubauen. Sie werden sich auf den Erfolg einstellen, wenn Sie der Anleitung folgen, um Ihr Produkt vollständig zu optimieren. Für Montagevideo QR-Code scannen. bit.ly/nlrbuild. Folge uns. QR-Code scannen

VORFLUGKONTROLLEN

WARNUNG

- Bitte verwenden Sie keine Elektrowerkzeuge für die Montage, da ein zu starkes Anziehen Ihren Rahmen beschädigen kann.
- Das Cockpit auf einer ebenen Fläche auslegen und aufbauen.
- Teile nicht mit Gewalt zusammenfügen.
- Vermeiden Sie Quergewindebolzen.
- Sehen Sie sich im Zweifelsfall das Installationsvideo an.

Wenn Sie Unterstützung für Ihr Produkt benötigen, wenden Sie sich bitte an unser freundliches Team unter: support@nextlevelracing.com

WARNUNG ERSTICKUNGSGEFAHR

Kleinteile nicht für Kinder unter 3 Jahren oder Personen, die dazu neigen, ungenießbare Gegenstände in den Mund zu nehmen.

ANFANG

- 01 - Siehe Bild. A) Richten Sie die Befestigungslöcher an der Pedalwinkelplatte mit den Schlitzen am Pedalrahmen aus. B) Durchschrauben und mit 4 x M8-Schrauben, Unterlegscheiben und Flanschmuttern sichern. Teile: 1 x Pedalrahmen, 1 x Pedalwinkelplatte, 4 x M8 55 mm Schrauben, 4 x quadratische Unterlegscheiben, 4 x M8 Flanschmuttern.
- 02 - Siehe Bild. A) Richten Sie die Befestigungsschlitze an der Pedalplatte mit den Gewindeeinsätzen an der Pedalwinkelplatte aus. B) Durchschrauben und mit 4 x M8 Schrauben und Unterlegscheiben sichern. Teile: 1 x Pedalplatte, 4 x M8 16 mm Schrauben, 4 x M8 Unterlegscheiben.
- 03 - Siehe Bild. A) Richten Sie die Befestigungslöcher an den Sitzrahmen mit den Befestigungslöchern und Gewindeeinsätzen am Pedalrahmen aus. B) Schrauben Sie oben am Rahmen die Sitzrahmen durch und sichern Sie sie mit 2 x M8 15 mm Schrauben und Unterlegscheiben. C) Durch die Mitte des Rahmens schrauben und mit 2 x M8 55 mm Schrauben, Unterlegscheiben und Flanschmuttern sichern. Teile: 2 x Sitzrahmen, 2 x M8 55 mm Schrauben, 2 x M8 16 mm Schrauben, 4 x M8 Unterlegscheiben, 2 x M8 Flanschmuttern.
- 04 - Siehe Bild. Richten Sie die Gewindeeinsätze an der Endplatte an den Befestigungslöchern am linken und rechten Sitzrahmen aus. Durchschrauben und mit 4 x M8 Schrauben und Unterlegscheiben sichern. Teile: 1 x Endplatte, 4 x M8 55 mm Schrauben, 4 x M8 Unterlegscheiben.
- 05 - Siehe Bild. Richten Sie die Befestigungslöcher an den Seitenwänden an den Durchgangslöchern an den Sitzrahmen aus. Durchschrauben und mit 4 x M8-Schrauben, Unterlegscheiben und Flanschmuttern sichern. Teile: 2 x Seitenwände, 4 x M8 55 mm Schrauben, 4 x M8 Unterlegscheiben, 4 x M8 Flanschmuttern.
- 06 - Siehe Bild. A) Richten Sie die Befestigungslöcher am Querträger an den Durchgangslöchern am linken und rechten Sitzrahmen und an den Seitenwänden aus. B) Durchschrauben und mit 4 x M8-Schrauben, Unterlegscheiben und Flanschmuttern sichern. Teile: 1 x Querträger, 4 x M8 55 mm Schrauben, 4 x M8 Unterlegscheiben, 4 x M8 Flanschmuttern.
- 07 - Siehe Bild. A) Üben Sie mit Ihrem Körpergewicht Druck auf die Sitzfläche aus. Ziehen Sie den Griff des Liegestuhls mit einer Hand nach oben und stellen Sie ihn so ein, dass der Liegestuhl senkrecht zur Sitzfläche steht. Auf der anderen Seite wiederholen. B) Entfernen Sie die 4 x Rundkopfschrauben, die an der Sitzlehne vorinstalliert sind, und richten Sie die Gewindeeinsätze an der Sitzlehne an den Befestigungslöchern an der Sitzfläche aus. C) Durchschrauben und mit 4 x M8 Rundkopfschrauben sichern, die zuvor deinstalliert wurden. Entfernen Sie die Warnaufkleber auf den Liegen. Teile: 1 x Sitzlehne, 1 x Sitzfläche.
- 08 - Siehe Bild. A) Ziehen Sie den Schließe des Sitzes nach oben und stellen Sie den Sitz auf die vorderste Position ein. B) Richten Sie die Befestigungslöcher an den Sitzleitern an den Sitzbefestigungsstellen (siehe Abbildung) am linken und rechten Sitzrahmen aus. C) Hinten durchschrauben und mit 2 x M8 Vierkantschrauben und Flanschmuttern sichern. Teile: 2 x M8 16 mm Vierkantschrauben, 2 x M8 Flanschmuttern.
- 09 - Siehe Bild. A) Ziehen Sie am Sitzschiebef Griff und stellen Sie den Sitz auf die hinterste Position ein. B) An der Vorderseite durchschrauben und mit 2 x M8 Vierkantschrauben und Bundmuttern sichern. Teile: 2 x M8 16 mm Vierkantschrauben, 2 x M8 Flanschmuttern.
- 10 - Siehe Bild. A) Richten Sie die Befestigungsschlitze an den linken und rechten Seitenarmen an den Durchgangslöchern an den linken und rechten Sitzrahmen und Seitenwänden aus. B) Durchschrauben und mit 4 x M8-Schrauben, Unterlegscheiben und Flanschmuttern sichern. Teile: 2 x Seitenarme, 4 x M8 55 mm Schrauben, 4 x M8 Unterlegscheiben, 4 x M8 Flanschmuttern.
- 11 - Siehe Bild. Lösen Sie die Schrauben, um die Seitenarme auf die gewünschte Höhe und den gewünschten Winkel einzustellen. Ziehen Sie die Schrauben fest, um sie zu verriegeln. Bitte nutzen Sie die zusätzlichen Durchgangslöcher an den Sitzrahmen für die Rücken- und Vorwärtsverstellung. Teile: NULL
- 12 - Siehe Bild. Richten Sie die Gewindebolzen an der Mausplatte und der Flugplatte an den Befestigungslöchern am linken und rechten Seitenarm aus. Mit 8 x M8 Flanschmuttern sichern. HINWEIS: Die Platten sind austauschbar und können für Links- oder Rechtshänder montiert werden. Teile: 1 x Mausplatte, 1 x Flugplatte, 8 x M8-Flanschmuttern.
- 13 - Siehe Bild. **OPTIONALE HOTAS-INSTALLATION.** Richten Sie die Befestigungslöcher an der HOTAS-Außenstange mit den Durchgangslöchern am Querträger aus. Durchschrauben und mit 2 x M8-Schrauben, Unterlegscheiben und Flanschmuttern sichern. Teile: 1 x HOTAS Außenstange, 2 x M8 55 mm Schrauben, 2 x M8 Unterlegscheiben, 2 x M8 Flanschmuttern.
- 14 - Siehe Bild. Richten Sie die Gewindeeinsätze an der HOTAS-Innenstange mit dem Schlitz an der HOTAS-Außenstange aus. Durchschrauben und mit 2 x Knöpfen sichern. Teile: 1 x HOTAS Innenstange, 2 x 15 mm Knöpfe.
- 15 - Siehe Bild. Richten Sie die Befestigungslöcher auf der HOTAS-Platte mit den Durchgangslöchern auf der HOTAS-Innenstange aus. Durchschrauben und mit 3 x M8-Schrauben, Unterlegscheiben und Flanschmuttern sichern. Teile: 1 x HOTAS Platte, 3 x M8 55 mm Schrauben, 3 x M8 16 mm Unterlegscheiben, 3 x M8 Flanschmuttern.
- 16 - Siehe Bild. A) Richten Sie die Befestigungslöcher an der mittleren Außenstange mit den Löchern am Pedalrahmen aus. B) Richten Sie das Barrel-Distanzstück mit den Löchern an der mittleren Außenstange aus. Durchschrauben und mit 2 x M8-Schrauben, Unterlegscheiben und Flanschmuttern sichern. Teile: 1 x Center Outer Pole, 2 x M8 55 mm Schrauben, 2 x M8 Unterlegscheiben, 2 x M8 Flanschmuttern, 1 x Barrel Spacer.17a - Siehe Bild. Platzieren Sie die Mittelstange vorsichtig oben auf dem Pedalrahmen und vergewissern Sie sich, dass die Verriegelung unten ist.
- 17b - Siehe Bild. Haken Sie den U-Bolzen in die Verriegelungslasche am Pedalrahmen ein.
- 17c - Siehe Bild. Stellen Sie sicher, dass der U-Bolzen richtig in der Verriegelungslasche sitzt und ziehen Sie die Verriegelung, bis sie fest sitzt.
- 17d - Siehe Bild. Lösen Sie für einen festeren Verschluss die Verriegelung, stellen Sie die Muttern oben an der Verriegelung ein und schließen Sie sie wieder.
- 18 - Siehe Bild. Bringen Sie 1 x Filzunterlage oben an der mittleren Innenstange an. Richten Sie die Gewindeeinsätze an der mittleren Innenstange mit den Schlitzen an der mittleren Außenstange aus. Durchschrauben und mit 2 x Knöpfen sichern. HINWEIS: Wenn High-End-Bügel verwendet werden, installieren Sie bitte die optionale Stützhalterung (Schritte 23 - 26). Teile: 1 x mittlere Innenstange, 2 x 15-mm-Knöpfe, 1 x Filzunterlage.
- 19a - Siehe Bild. **MITTELJOCHPLATTE EINBAUEN.** Richten Sie die Befestigungslöcher an der Mitteljochplatte mit den Durchgangslöchern an der Mittelinnenstange aus. Durchschrauben und mit 3 x M8 60 mm Schrauben, Unterlegscheiben und Flanschmuttern sichern. Teile: 1 x mittlere Jochplatte, 3 x M8 60 mm Schrauben, 3 x M8 16 mm Unterlegscheiben, 3 x M8 Flanschmuttern.
- 19b - Siehe Bild. **INSTALLATION DES OPTIONALEN TURTLE BEACH ADAPTERS** (Fortsetzung von 19a). A) Schrauben Sie durch 2 x M6-Bolzen in die hintersten Gewindelöcher auf der mittleren Jochplatte. B) Richten Sie die Befestigungslöcher an der Turtle Beach-Adapterplatte mit den Gewindebolzen aus und sichern Sie sie mit 2 x M6-Flanschmuttern. Teile: 1 x Turtle Beach Adapterplatte, 2 x M6 20 mm Gewindebolzen, 2 x M6 Flanschmuttern.



support@nextlevelracing.com



Video Instruction: bit.ly/nlrbuild

- 19c - Siehe Bild. BOEING YOKE/KLEMMPLATTE INSTALLIEREN. A) Legen Sie die Klemmplatte auf die mittlere Innenstange. B) Schieben Sie die Klemmplatte nach vorne und richten Sie die Befestigungslöcher an der inneren Mittelstange und der Klemmplatte aus. C) Durchschrauben und mit 2 x M8-Schrauben, Unterlegscheiben und Flanschmuttern sichern. Teile: 1 x Klemmplatte, 2 x M8 55 mm Schrauben, 2 x M8 Unterlegscheiben, 2 x M8 Flanschmuttern
- 19d - Siehe Bild. MITTLERE TASTATURPLATTE INSTALLIEREN. Richten Sie die Befestigungslöcher und -schlitze auf der Tastaturplatte mit den Durchgangslöchern auf der mittleren inneren Stange aus. Durchschrauben und mit 2 x M8-Schrauben, Unterlegscheiben und Flanschmuttern sichern. Teile: 1 x Tastaturplatte, 2 x M8 55 mm Schrauben, 2 x M8 Unterlegscheiben, 2 x M8 Flanschmuttern.
- 20 - Siehe Bild. Führen Sie den Sicherheitsgurt durch die Ösen in der Sitzlehne. Richten Sie die Befestigungslöcher an jeder Sicherheitsgurt-Befestigungsplatte mit den Durchgangslöchern an den Sitzrahmen und den Gewindeinsätzen an der Unterseite der Sitzfläche aus. Durchschrauben und mit 4 x M8-Schrauben, Unterlegscheiben und 2 x M8-Flanschmuttern sichern. Teile: 1 x Sicherheitsgurt, 2 x M8 16 mm Schrauben, 2 x M8 55 mm Schrauben, 4 x M8 Unterlegscheiben, 2 x M8 Flanschmuttern.
- 21 - Siehe Bild. Richten Sie die verstellbaren Füße an den Gewindeinsätzen an der Unterseite des Pedalarrahmens und der Sitzrahmen aus. Verriegeln Sie ihn, indem Sie die verstellbaren Füße in die Gewindeinsätze drehen. Um einen verstellbaren Fuß anzuheben, drehen Sie ihn gegen den Uhrzeigersinn. Teile: 6 x verstellbare Füße.
- 22 - Siehe Bild. Ihr Flugsimulator-Cockpit ist fertig. Teile: NULL
- 23 - Siehe Bild. OPTIONALE STÜTZHALTERUNG INSTALLIEREN. Richten Sie den Drehpunkt an der Stützhalterung an den Befestigungslöchern an der Stützhalterungshalterung aus. Durchschrauben und mit 1 x M8 Schraube, Unterlegscheibe, Laufabstandhalter und Flanschmutter sichern. Teile: 1 x Stützhalterung, 1 x Stützhalterungshalterung, 1 x M8 55-mm-Schrauben, 1 x Laufabstandhalter, 1 x M8-Unterlegscheibe, 1 x M8-Flanschmutter.
- 24 - Siehe Bild. A) Deinstallieren Sie die Knöpfe, mit denen die mittlere Innenstange an der mittleren Außenstange befestigt ist, und entfernen Sie die mittlere Außenstange. B) Entfernen Sie die 2 x M8-Flanschmuttern, mit denen die HOTAS-Außenstange am Querträger befestigt ist. Teile: NULL.
- 25 - Siehe Bild. Richten Sie die Befestigungslöcher an der Stützhalterung an den Durchgangslöchern am Querträger aus. Mit 2 x M8-Flanschmuttern sichern, die zuvor in Schritt 24 deinstalliert wurden. Teile: 2 x M8-Flanschmuttern.
- 26 - Siehe Bild. A) Richten Sie die Gewindeinsätze an der mittleren Außenstange mit den Schlitzen an der Stützhalterung aus. Mit 2 x Knöpfen durchschrauben. B) Passen Sie die mittlere Innenstange in die mittlere Außenstange ein. Richten Sie die Gewindeinsätze an der mittleren Innenstange mit dem Schlitz in der mittleren Außenstange aus. Durchschrauben und mit 2 x Knöpfen sichern. Teile: 1 x mittlere Innenstange, 4 x 15-mm-Knöpfe.
- 27 - Siehe Bild. OPTIONALE SEITLICHE TASTATURPLATTENHALTERUNG. Richten Sie die Befestigungsschlitze am Tastaturarm an den Löchern an der Mausplatte aus. Durchschrauben und mit 2 x M6-Schrauben, Unterlegscheiben und Flanschmuttern sichern. Teile: 1 x Tastaturarm, 2 x M6 16 mm Schrauben, 2 x M6 Unterlegscheiben, 2 x M6 Flanschmuttern.
- 28 - Siehe Bild. Richten Sie die Befestigungslöcher an der Tastaturplatte an den Durchgangslöchern am Tastaturarm aus. Durchschrauben und mit 2 x M8-Schrauben, Unterlegscheiben und Flanschmuttern sichern. Teile: 1 x Tastaturplatte, 2 x M8 55 mm Schrauben, 2 x M8 Unterlegscheiben, 2 x M8 Flanschmuttern.
- 29 - Siehe Bild. OPTIONALER GERADE SEITENARM. A) Entfernen Sie die 2 x M8-Schrauben, Unterlegscheiben und Flanschmuttern, mit denen der Seitenarm befestigt ist. Lösen Sie die Flugplatte vom Seitenarm. B) Entfernen Sie 2 x M8-Schrauben, Unterlegscheiben und Flanschmuttern, mit denen eine Seite des Querträgers am Sitzrahmen befestigt ist. Teile: NULL.
- 30 - Siehe Bild. A) Richten Sie den geraden Seitenarm an den Durchgangslöchern im Sitzrahmen und Querträger aus. B) Durchschrauben und mit 2 x M8-Schrauben, Unterlegscheiben und Flanschmuttern sichern, die in Schritt 29 demontiert wurden. Teile: 1 x gerader Seitenarm, 2 x M8-55-mm-Schrauben, 2 x M8-Unterlegscheiben, 2 x M8-Flanschmuttern.
- 31 - Siehe Bild. Richten Sie die Gewindebolzen der Mausplatte an den Befestigungslöchern am geraden Seitenarm aus. Mit 4 x M8 Flanschmuttern sichern. Teile: 4 x M8 Flanschmuttern.
- 32 - Siehe Bild. WINKLEINSTELLUNG DER PEDALPLATTE. Entfernen Sie die vorderen Schrauben, quadratischen Unterlegscheiben und Flanschmuttern, mit denen die Pedalwinkelplatte am Pedalarahmen befestigt ist, und lösen Sie die hinteren Schrauben. Auf den gewünschten Winkel einstellen. Schrauben Sie sie durch und sichern Sie sie mit den zuvor demontierten Schrauben, Unterlegscheiben und Flanschmuttern. Teile: NULL.
- 33 - Siehe Bild. HOTAS POLE HÖHENVERSTELLUNG. Lösen Sie die Knöpfe, mit denen die HOTAS-Innenstange an der HOTAS-Außenstange befestigt ist. Stellen Sie die gewünschte Höhe ein und ziehen Sie die Knöpfe fest, um sie zu verriegeln. Teile: NULL
- 34 - Siehe Bild. HOTAS POLWINKLEINSTELLUNG. Entfernen Sie die vorderen Schrauben, Unterlegscheiben und Flanschmuttern, mit denen die HOTAS-Platte an der HOTAS-Innenstange befestigt ist. Winkel zur gewünschten Position. Durchschrauben und mit 1 x zuvor demontierter Schraube, Unterlegscheibe und Flanschmutter sichern. Teile: NULL.
- 35 - Siehe Bild. HÖHENVERSTELLUNG DER MITTELSTANGE. Lösen Sie die Knöpfe, mit denen die innere Mittelstange an der äußeren Mittelstange befestigt ist. Stellen Sie die innere Mittelstange auf die gewünschte Höhe ein und ziehen Sie die Knöpfe fest, um sie zu sichern. Nutzen Sie die mehrfachen Gewindeinsätze für eine perfekte Passform. Teile: NULL.
- 36 - Siehe Bild. WINKLEINSTELLUNG DES MITTELPOLS. Lösen Sie die Knöpfe, mit denen die innere Mittelstange an der äußeren Mittelstange befestigt ist. Stellen Sie die innere Mittelstange auf die gewünschte Höhe ein und ziehen Sie die Knöpfe fest, um sie zu sichern. Nutzen Sie die mehrfachen Gewindeinsätze für eine perfekte Passform. Teile: NULL.
- 37 - Siehe Bild. TPR RUDEREINBAU. Installieren Sie 4 x M6-Gewindebolzen im TPR-Adapter. Teile: 1 x TPR-Adapter, 4 x M6 20 mm Gewindebolzen.
- 38 - Siehe Bild. Richten Sie die Befestigungslöcher an der Vorderseite des TPR-Ruders mit dem Gewindebolzen am TPR-Adapter aus. Mit 2 x M6 Flanschmuttern sichern. Die TPR-Ruder sind bereit, auf dem Cockpit installiert zu werden. Teile: 2 x M6-Flanschmuttern, 1 x TPR-Ruder (nicht im Lieferumfang enthalten).
- 39 - Siehe Bild. BUTTKICKER POLE INSTALLIEREN. Richten Sie die Befestigungslöcher an der Butt kicker-Stange mit den Gewindeinsätzen unter der Sitzfläche aus. Durchschrauben und mit 2 x M8 Schrauben und Unterlegscheiben sichern. Teile: 1 x Butt kicker Pole, 2 x M8 16 mm Schrauben, 2 x M8 Unterlegscheiben.
- 40 - Siehe Bild. MAUSMATTEN-INSTALLATION. Legen Sie das Mauspad auf die Flugplatte. Eine Maus kann jetzt verwendet werden. Das Mauspad kann auch auf die Mausplatte gelegt werden. Teile: 1 x Mauspad.
- 41 - Siehe Bild. TASTATURMATTE INSTALLIEREN. Legen Sie die Tastaturmatte auf den Tastaturplatz. Eine Tastatur kann jetzt verwendet werden. Teile: 1 x Tastaturmatte.

WARNUNG

- Bitte verwenden Sie keine Elektrowerkzeuge für die Montage, da ein zu starkes Anziehen Ihren Rahmen beschädigen kann.
- Das Cockpit auf einer ebenen Fläche auslegen und aufbauen.
- Teile nicht mit Gewalt zusammenfügen.
- Vermeiden Sie Quergewindebolzen.
- Sehen Sie sich im Zweifelsfall das Installationsvideo an.

HILFE

Wenn Sie weitere Unterstützung für Ihr Produkt benötigen, wenden Sie sich bitte an unser freundliches Team unter: support@nextlevelracing.com

JP

フライトシミュレータ取扱説明書

あなたがレースを始めたいと思っていることを私たちは知っています!指示に従って時間をかけて、このガイドに従って製品を組み立ててください。取扱説明書に従って製品を完全に最適化することで、成功への準備を整えることができます。組み立てビデオの場合は、QRコードをスキャンします。bit.ly/nlrbuild。フォローする。QRコードをスキャンする

飛行前チェック

警告

- 締めすぎるとフレームが損傷する可能性があるため、組み立てに動力工具を使用しないでください。
- 水平な面にコックピットを配置して構築します。
- 部品を無理に押し込まないでください。
- クロスレッドボルトは避けてください。
- 疑問がある場合は、インストールビデオを参照してください。

製品のサポートが必要な場合は、support@nextlevelracing.comのフレンドリーなチームにご連絡ください。

警告窓の危険性

3歳未満の子供や食べられないものを口に入れる傾向のある人向けにはない小さな部品。

始める

- 01 -画像を参照してください。A) ベダルアングルプレートの取り付け穴をベダルフレームのスロットに合わせます。B) 4 x M8ボルト、四角ワッシャー、フランジナットでボルトで固定します。部品: 1 xベダルフレーム、1 xベダルアングルプレート、4 x M8 55mmボルト、4 xスクエアワッシャー、4xM8フランジナット。
- 02 -画像を参照してください。A) ベダルプレートの取り付けスロットをベダルアングルプレートのネジ山付きインサートに合わせます。B) 4xM8ボルトとワッシャーでボルトで固定します。部品: 1 xベダルプレート、4 x M8 16mmボルト、4xM8ワッシャー。
- 03 -画像を参照してください。A) シートフレームの取り付け穴をベダルフレームの取り付け穴とネジ山付きインサートに合わせます。B) フレームの上部で、2 x M815mmボルトとワッシャーでシートフレームをボルトで固定します。C) フレームの中央にボルトで固定し、2 x M8 55mmボルト、ワッシャー、フランジナットで固定します。部品: 2 xシートフレーム、2 x M8 55mmボルト、2 x M8 16mmボルト、4 x M8ワッシャー、2xM8フランジナット。
- 04 -画像を参照してください。エンドプレートのネジ山付きインサートを左右のシートフレームの取り付け穴に合わせます。4xM8ボルトとワッシャーでボルトで固定します。部品: 1 xエンドプレート、4 x M8 55mmボルト、4xM8ワッシャー。
- 05 -画像を参照してください。サイドパネルの取り付け穴をシートフレームの貫通穴に合わせます。4 x M8ボルト、ワッシャー、フランジナットでボルトで固定します。部品: 2 xサイドパネル、4 x M8 55mmボルト、4 x M8ワッシャー、4xM8フランジナット。
- 06 -画像を参照してください。A) クロスメンバーの取り付け穴を左右のシートフレームとサイドパネルの貫通穴に合わせます。B) 4 x M8ボルト、ワッシャー、フランジナットでボルトで固定します。部品: 1 xクロスメンバー、4 x M8 55mmボルト、4 x M8ワッシャー、4xM8フランジナット。
- 07 -画像を参照してください。A) 体重でシートベースに圧力をかけます。片手でクライミングハンドルを引き上げ、クライミングチェアがシートボトムと垂直になるように調整します。反対側で繰り返します。B) シートバックレストに事前に取り付けられている4つのドームヘッドボルトを取り外し、シートバックレストのネジ山付きインサートをシート下部の取り付け穴に合わせます。C) ボルトで固定し、以前に取り外した4xM8ドームヘッドボルトで固定します。リクライニングチェアの警告ラベルをはがします。パーツ: 1 xシートバックレスト、1xシートボトム。
- 08 -画像を参照してください。A) シートスライダのハンドルを引き上げ、シートを一番前の位置に調整します。B) シートスライダの取り付け穴を左右のシートフレームのシート取り付け位置 (画像を参照) に合わせます。C) 後部で、2xM8スクエアネックボルトとフランジナットでボルトで固定します。部品: 2 x M8 16mmスクエアネックボルト、2xM8フランジナット。
- 09 -画像を参照してください。A) シートスライダのハンドルを引いて、シートを一番後ろの位置に調整します。B) 前面で、2xM8スクエアネックボルトとフランジナットでボルトで固定します。部品: 2 x M8 16mmスクエアネックボルト、2xM8フランジナット。
- 10 -画像を参照してください。A) 左右のサイドアームの取り付けスロットを左右のシートフレームとサイドパネルの貫通穴に合わせます。B) 4 x M8ボルト、ワッシャー、フランジナットでボルトで固定します。部品: 2 xサイドアーム、4 x M8 55mmボルト、4 x M8ワッシャー、4xM8フランジナット。
- 11 -画像を参照してください。ボルトを緩めて、サイドアームを希望の高さと角度に調整します。ボルトを締めて所定の位置に固定します。前後の調整には、シートフレームの余分な貫通穴を利用してください。パーツ: NIL
- 12 -画像を参照してください。マウスプレートとフライトプレートのネジ山付きスタッドを、左側と右側のアームの取り付け穴に合わせます。8xM8フランジナットで固定します。注: プレートは交換可能で、左利きまたは右利きのユーザーに対応するように取り付けられます。部品: 1 xマウスプレート、1 xフライトプレート、8xM8フランジナット。
- 13 -画像を参照してください。オプションのHOTASインスツール。HOTASアウターボールの取り付け穴をクロスメンバーの貫通穴に合わせます。2 x M8ボルト、ワッシャー、フランジナットでボルトで固定します。部品: 1 x HOTASアウターボール、2 x M8 55mmボルト、2 x M8ワッシャー、2xM8フランジナット。
- 14 -画像を参照してください。HOTASインナーボールのネジ山付きインサートをHOTASアウターボールのスロットに合わせます。ボルトで固定し、2つのノブで固定します。パーツ: 1 x HOTASインナーボール、2x15mmノブ。
- 15 -画像を参照してください。HOTASプレートの取り付け穴をHOTASインナーボールの貫通穴に合わせます。3 x M8ボルト、ワッシャー、フランジナットでボルトで固定します。部品: 1 x HOTASプレート、3 x M8 55mmボルト、3 x M8 16mmワッシャー、3xM8フランジナット。
- 16 -画像を参照してください。A) センターアウターボールの取り付け穴をベダルフレームの穴に合わせます。B) バレルスパーサーをセンターアウターボールの穴に合わせます。2 x M8ボルト、ワッシャー、フランジナットでボルトで固定します。部品: 1 xセンターアウターボール、2 x M8 55mmボルト、2 x M8ワッシャー、2 x M8フランジナット、1xバレルスパーサー。17a-画像を参照してください。センターボールをベダルフレームの上にそっと置き、ラッチが下がっていることを確認します。
- 17b-画像を参照してください。Uボルトをベダルフレームのロックタブに引っ掛けます。
- 17c-画像を参照してください。Uボルトがロックキングタブに正しく取まっていることを確認し、ラッチがきつく締まるまで引っ掛けます。
- 17d-画像を参照してください。しっかりとロックするには、ラッチを元に戻し、ラッチの上部にあるナットを調整して、もう一度閉じます。
- 18 -画像を参照してください。センターインナーボールの上部に1xフェルトパッドを取り付けます。センターインナーボールのネジ山付きインサートをセンターアウターボールのスロットに合わせます。ボルトで固定し、2つのノブで固定します。注: ハイエンドヨークを使用している場合は、オプションのサポートブラケットを取り付けてください(ステップ23~26)。パーツ: 1 xセンターインナーボール、2 x 15mmノブ、1xフェルトパッド。
- 19a -画像を参照してください。センターヨークプレートの取り付け。センターヨークプレートの取り付け穴をセンターインナーボールの貫通穴に合わせます。3 x M8 60mmボルト、ワッシャー、フランジナットでボルトで固定します。部品: 1 xセンターヨークプレート、3 x M8 60mmボルト、3 x M8 16mmワッシャー、3xM8フランジナット。
- 19b-画像を参照してください。オプションのTURTLEBEACHアダプターの取り付け (19aから続く)。A) 2xM6スタッドをセンターヨークプレートの最後のネジ穴にボルトで固定します。B) Turtle Beachアダプタープレートの取り付け穴をネジ付きスタッドに合わせ、2xM6フランジナットで固定します。部品: 1 x Turtle Beachアダプタープレート、2 x M6 20mmネジ付きスタッド、2xM6フランジナット。



support@nextlevelracing.com



Video Instruction: bit.ly/nlrbuid

19c-画像を参照してください。ボーイングヨーク/クランププレートの取り付け。A)クランププレートをセンターインナーポールの上に置きます。B)クランププレートを前方にスライドさせ、センターインナーポールとクランププレートの取り付け穴の位置を合わせます。C)2 x M8ボルト、ワッシャー、フランジナットでボルトで固定します。部品:1 xクランププレート、2 x M8 55mmボルト、2 x M8ワッシャー、2xM8フランジナット

19d-画像を参照してください。センターキーボードプレートの取り付け。キーボードプレートの取り付け穴とスロットを、センターインナーポールの貫通穴に合わせます。2 x M8ボルト、ワッシャー、フランジナットでボルトで固定します。部品:1 xキーボードプレート、2 x M8 55mmボルト、2 x M8ワッシャー、2xM8フランジナット。

20-画像を参照してください。シートベルトをシートバックレストのアイレットに通します。各シートベルト取り付け穴の位置を、シートフレームの貫通穴およびシート下部の下部のネジ山付きインサートに合わせます。4 x M8ボルト、ワッシャー、および2xM8フランジナットでボルトで固定します。部品:1 xシートベルト、2 x M8 16mmボルト、2 x M8 55mmボルト、4 x M8ワッシャー、2xM8フランジナット。

21-画像を参照してください。アジャスタブルフィートをベダルフレームとシートフレームの下部にあるネジ山付きインサートに合わせます。調整可能な脚をねじ山付きインサートにねじって、所定の位置に固定します。調整可能な足を上げるには、反時計回りにひねります。パーツ:6調整可能な足。

22-画像を参照してください。フライトシミュレータのコックピットが完成しました。パーツ:NIL

23-画像を参照してください。オプションのサポートブラケットのインストール。サポートブラケットのピボットポイントをサポートブラケットマウントの取り付け穴に合わせます。1 x M8ボルト、ワッシャー、バレルスペーサー、フランジナットでボルトで固定します。部品:1 xサポートブラケット、1 xサポートブラケットマウント、1 x M8 55mmボルト、1 xバレルスペーサー、1 x M8ワッシャー、1xM8フランジナット。

24-画像を参照してください。A)センターインナーポールをセンターアウターポールに固定しているノブを外し、センターアウターポールを取り外します。B) HOTASアウターポールをクロスメンバーに固定している2xM8フランジナットを取り外します。パーツ:NIL。

25-画像を参照してください。サポートブラケットの取り付け穴をクロスメンバーの貫通穴に合わせます。手順24で以前にアンインストールした2xM8フランジナットで固定します。部品:2xM8フランジナット。

26-画像を参照してください。A)センターアウターポールのネジ山付きインサートをサポートブラケットのスロットに合わせます。2xノブでボルトで固定します。B)中央の内側のポールを中央の外側のポールに取り付けます。センターインナーポールのネジ山付きインサートをセンターアウターポールのスロットに合わせます。ボルトで固定し、2つのノブで固定します。パーツ:1 xセンターインナーポール、4x15mmノブ。

27-画像を参照してください。オプションのキーボードプレートサイドマウント、キーボードアームの取り付けスロットをマウスプレートの穴に合わせます。2 x M6ボルト、ワッシャー、フランジナットでボルトで固定します。部品:1 xキーボードアーム、2 x M6 16mmボルト、2 x M6ワッシャー、2xM6フランジナット。

28-画像を参照してください。キーボードプレートの取り付け穴をキーボードアームの貫通穴に合わせます。2 x M8ボルト、ワッシャー、フランジナットでボルトで固定します。部品:1 xキーボードプレート、2 x M8 55mmボルト、2 x M8ワッシャー、2xM8フランジナット。

29-画像を参照してください。オプションのストレートサイドアーム。A)サイドアームを固定している2 x M8ボルト、ワッシャー、フランジナットを取り外します。フライトプレートをサイドアームから外します。B)クロスメンバーの片側をシートフレームに固定している2 x M8ボルト、ワッシャー、フランジナットを取り外します。パーツ:NIL。

30-画像を参照してください。A)ストレートサイドアームをシートフレームとクロスメンバーの貫通穴に合わせます。B)ステップ29で取り外した2 x M8ボルト、ワッシャー、およびフランジナットでボルトで固定します。部品:1 xストレートサイドアーム、2 x M8 55mmボルト、2 x M8ワッシャー、2xM8フランジナット。

31-画像を参照してください。マウスプレートのネジ付きスタッドをストレートサイドアームの取り付け穴に合わせます。4xM8フランジナットで固定します。部品:4xM8フランジナット。

32-画像を参照してください。ベダルプレートの角度調整。ベダルアングルプレートをベダルフレームに固定しているフロントボルト、スクエアワッシャー、フランジナットを取り外し、リアボルトを緩めます。希望の角度に調整します。以前にアンインストールしたボルト、スクエアワッシャー、フランジナットをボルトで固定します。パーツ:NIL。

33-画像を参照してください。センターポールの高さ調整。HOTASインナーポールをHOTASアウターポールに固定しているノブを緩めます。希望の高さに調整し、ノブを締めて所定の位置に固定します。パーツ:NIL

34-画像を参照してください。HOTASポール角度調整。HOTASプレートをHOTASインナーポールに固定しているフロントボルト、ワッシャー、フランジナットを取り外します。希望の位置に角度を付けます。以前にアンインストールした1xボルト、ワッシャー、フランジナットでボルトで固定します。パーツ:NIL。

35-画像を参照してください。センターポールの高さ調整。インナーセンターポールをアウターセンターポールに固定しているノブを緩めます。内側のセンターポールを希望の高さに調整し、ノブを締めて所定の位置に固定します。完璧にフィットするように複数のネジ山付きインサートを利用してください。パーツ:NIL。

36-画像を参照してください。センターポール角度調整。インナーセンターポールをアウターセンターポールに固定しているノブを緩めます。内側のセンターポールを希望の高さに調整し、ノブを締めて所定の位置に固定します。完璧にフィットするように複数のネジ山付きインサートを利用してください。パーツ:NIL。

37-画像を参照してください。TPRラダーのインストール。4xM6ネジ山付きスタッドをTPRアダプターに取り付けます。部品:1 x TPRアダプター、4 x M620mmネジ付きスタッド。

38-画像を参照してください。TPRラダーの前面にある取り付け穴をTPRアダプターのネジ山付きスタッドに合わせます。2xM6フランジナットで固定します。TPRラダーはコックピットに取り付ける準備ができています。部品:2 x M6フランジナット、1 x TPRラダー (含まれていません)。

39-画像を参照してください。BUTTKICKERポールインストール。バットキッカーポールの取り付け穴を、シート下部の下のネジ山付きインサートに合わせます。2xM8ボルトとワッシャーでボルトで固定します。部品:1 xバットキッカーポール、2 x M8 16mmボルト、2xM8ワッシャー。

40-画像を参照してください。マウスマットのインストール。フライトプレートの上にマウスマットを置きます。これで、マウスを使用できます。マウスマットは、マウスプレートの上に置くこともできます。パーツ:1xマウスマット。

41-画像を参照してください。キーボードマットのインストール。キーボードマットをキーボードベースの上に置きます。これで、キーボードを使用できます。パーツ:1xキーボードマット。

警告

- 締めすぎるとフレームが損傷する可能性があるため、組み立てに動力工具を使用しないでください。
- 水平な面にコックピットを配置して構築します。
- 部品を無理に押し込まないでください。
- クロススレッドボルトは避けてください。
- 疑わしい場合は、インストールビデオを参照してください。

支援

製品に関するさらなるサポートが必要な場合は、support@nextlevelracing.comで私たちのフレンドリーなチームに連絡してください

PT

Manual de instruções do simulador de voo

Sabemos que você está ansioso para começar a correr! Leve o seu tempo com as instruções e siga este guia para montar seu produto. Você estará se preparando para o sucesso seguindo o manual de instruções para otimizar totalmente seu produto. Para vídeo de montagem, escaneie o código QR. bit.ly/nlrbuid. Siga-nos. Digitalize o código QR

VERIFICAÇÕES PRÉ-VOO

AVISO

- Por favor, não use ferramentas elétricas para a montagem, pois o aperto excessivo pode danificar seu quadro.
- Disponha e construa o cockpit em uma superfície plana.
- Não force as peças juntas.
- Evite parafusos de rosca cruzada.
- Em caso de dúvida consulte o vídeo de instalação.

Se você precisar de suporte com seu produto, entre em contato com nossa equipe amigável em: support@nextlevelracing.com

AVISO RISCO DE CHOQUE

Peças pequenas não para crianças menores de 3 anos ou qualquer pessoa que tenha tendência a colocar objetos não comestíveis na boca.

COMEÇAR

01 - Consulte a imagem. A) Alinhe os orifícios de montagem na placa do ângulo do pedal com as ranhuras na estrutura do pedal. B) Aparafuse e prenda com 4 parafusos M8, arruelas quadradas e porcas flangeadas. Peças: 1 x estrutura do pedal, 1 x placa de ângulo do pedal, 4 x parafusos M8 55mm, 4 x arruelas quadradas, 4 x porcas flangeadas M8.

02 - Consulte a imagem. A) Alinhe as ranhuras de montagem na Placa do Pedal com as inserções rosqueadas na Placa do Ângulo do Pedal. B) Aparafuse e prenda com 4 parafusos e arruelas M8. Peças: 1 x placa de pedal, 4 x parafusos M8 16mm, 4 x arruelas M8.

03 - Consulte a imagem. A) Alinhe os orifícios de montagem nas Estruturas do Assento com os orifícios de montagem e inserções rosqueadas na Estrutura do Pedal. B) Na parte superior da estrutura, aparafuse e prenda as estruturas do assento com 2 parafusos e arruelas M8 de 15 mm. C) Aparafuse pelo centro da estrutura e prenda com 2 parafusos M8 55mm, arruelas e porcas flangeadas. Peças: 2 x armações do assento, 2 x parafusos M8 55mm, 2 x parafusos M8 16mm, 4 x arruelas M8, 2 x porcas flangeadas M8.

04 - Consulte a imagem. Alinhe as inserções rosqueadas na placa final com os orifícios de montagem nas estruturas do assento esquerdo e direito. Aparafuse e prenda com 4 parafusos e arruelas M8. Peças: 1 x placa final, 4 x parafusos M8 55mm, 4 x arruelas M8.

05 - Consulte a imagem. Alinhe os orifícios de montagem nos Painéis Laterais com os orifícios passantes nas Estruturas do Assento. Aparafuse e prenda com 4 parafusos M8, arruelas e porcas de flange. Peças: 2 x painéis laterais, 4 x parafusos M8 55mm, 4 x arruelas M8, 4 x porcas flangeadas M8.

06 - Consulte a imagem. A) Alinhe os orifícios de montagem na travessa com os orifícios passantes nas estruturas do assento esquerdo e direito e nos painéis laterais. B) Aparafuse e prenda com 4 parafusos M8, arruelas e porcas de flange. Peças: 1 x travessa, 4 x parafusos M8 55mm, 4 x arruelas M8, 4 x porcas flangeadas M8.

07 - Consulte a imagem. A) Aplique pressão na base do assento com o peso do corpo. Puxe a alça da poltrona com uma mão e ajuste de forma que a poltrona fique perpendicular com a parte inferior do assento. Repita do outro lado. B) Desinstale 4 x parafusos de cabeça de cúpula que estão pré-instalados no encosto do assento e alinhe as inserções rosqueadas no encosto do assento com os orifícios de montagem na parte inferior do assento. C) Aparafuse e prenda com 4 parafusos de cabeça de cúpula M8 que foram desinstalados anteriormente. Remova as etiquetas de aviso nas poltronas. Peças: 1 x encosto do assento, 1 x assento inferior.

08 - Consulte a imagem. A) Puxe a alça do Deslizador do Assento para cima e ajuste o Assento para a posição mais à frente. B) Alinhe os orifícios de montagem nos controles deslizantes do assento com os locais de montagem do assento (consulte a imagem) nas estruturas do assento esquerdo e direito. C) Na parte traseira, aparafuse e prenda com 2 x parafusos de pescoço quadrado M8 e porcas de flange. Peças: 2 x parafusos de pescoço quadrado M8 de 16 mm, 2 x porcas de flange M8.

09 - Consulte a imagem. A) Puxe a alça do Deslizador do Assento e ajuste o Assento para a posição mais traseira. B) Na frente, aparafuse e prenda com 2 x parafusos de pescoço quadrado M8 e porcas de flange. Peças: 2 x parafusos de pescoço quadrado M8 de 16 mm, 2 x porcas de flange M8.

10 - Consulte a imagem. A) Alinhe as ranhuras de montagem nos braços laterais esquerdo e direito com os orifícios passantes nas estruturas do assento esquerdo e direito e nos painéis laterais. B) Aparafuse e prenda com 4 parafusos M8, arruelas e porcas de flange. Peças: 2 x braços laterais, 4 x parafusos M8 55mm, 4 x arruelas M8, 4 x porcas flangeadas M8.

11 - Consulte a imagem. Afrouxe os parafusos para ajustar os braços laterais para a altura e ângulo desejados. Aperte os parafusos para travar no lugar. Por favor, utilize os orifícios extras nas Estruturas do Assento para ajuste para trás e para frente. Partes: NIL

12 - Consulte a imagem. Alinhe os pinos rosqueados na placa do mouse e na placa de voo com os orifícios de montagem nos braços laterais esquerdo e direito. Fixe com 8 x porcas de flange M8. NOTA: As placas são intercambiáveis e podem ser montadas para acomodar usuários canhotos ou destros. Peças: 1 x placa de mouse, 1 x placa de voo, 8 x porcas de flange M8.

13 - Consulte a imagem. INSTALAÇÃO DE HOTAS OPCIONAL. Alinhe os orifícios de montagem no poste externo HOTAS com os orifícios passantes na travessa. Aparafuse e prenda com 2 x parafusos M8, arruelas e porcas de flange. Peças: 1 x poste externo HOTAS, 2 x parafusos M8 55mm, 2 x arruelas M8, 2 x porcas flangeadas M8.

14 - Consulte a imagem. Alinhe as inserções rosqueadas no poste interno HOTAS com a ranhura no poste externo HOTAS. Aparafuse e prenda com 2 x botões. Peças: 1 x poste interno HOTAS, 2 x botões de 15mm.

15 - Consulte a imagem. Alinhe os orifícios de montagem na placa HOTAS com os orifícios passantes no poste interno HOTAS. Parafuse e prenda com 3 x parafusos M8, arruelas e porcas de flange. Peças: 1 x placa HOTAS, 3 x parafusos M8 55mm, 3 x arruelas M8 16mm, 3 x porcas flangeadas M8.

16 - Consulte a imagem. A) Alinhe os orifícios de montagem no Poste Externo Central com os orifícios na Estrutura do Pedal. B) Alinhe o espaçador de barril com os orifícios no poste externo central. Aparafuse e prenda com 2 x parafusos M8, arruelas e porcas de flange. Peças: 1 x pólo externo central, 2 x parafusos M8 55mm, 2 x arruelas M8, 2 x porcas de flange M8, 1 x espaçador de barril17a - Consulte a imagem. Com cuidado, coloque a haste central em cima da estrutura do pedal e certifique-se de que a trava esteja abaixada.

17b - Consulte a imagem. Encaixe o parafuso em U na aba de travamento na estrutura do pedal.

17c - Consulte a imagem. Certifique-se de que o parafuso em U esteja encaixado corretamente na aba de travamento e puxe a trava até que fique firme.

17d - Consulte a imagem. Para uma trava mais apertada, solte a trava, ajuste as porcas na parte superior da trava e feche-a novamente.

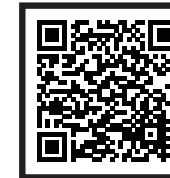
18 - Consulte a imagem. Instale 1 x almofada de feltro na parte superior do pólo interno central. Alinhe as inserções rosqueadas no Poste Interno Central com as ranhuras no Poste Externo Central. Aparafuse e prenda com 2 x botões. NOTA: Se forem usados garfos de ponta, instale o suporte de suporte opcional (etapas 23 - 26). Peças: 1 x pólo interno central, 2 x botões de 15 mm, 1 x almofada de feltro.

19a - Consulte a imagem. INSTALAÇÃO DA PLACA DE GARFO CENTRAL. Alinhe os orifícios de montagem na placa do garfo central com os orifícios passantes no poste interno central. Aparafuse e prenda com 3 parafusos M8 60mm, arruelas e porcas de flange. Peças: 1 x placa de garfo central, 3 x parafusos M8 60mm, 3 x arruelas M8 16mm, 3 x porcas flangeadas M8.

19b - Consulte a imagem. INSTALAÇÃO DO ADAPTADOR OPCIONAL TURTLE BEACH (Continue a partir de 19a). A) Aparafuse 2 x pinos M6 nos orifícios rosqueados mais traseiros na placa do garfo central. B) Alinhe os orifícios de montagem na Placa Adaptadora Turtle Beach com os pinos rosqueados, prenda com 2 porcas flangeadas M6. Peças: 1 x placa adaptadora Turtle Beach, 2 x pinos roscaados M6 20mm, 2 x porcas flangeadas M6.



support@nextlevelracing.com



Video Instruction: bit.ly/nlrbuild

- 19c - Consulte a imagem. **INSTALAÇÃO DA PLACA DE GARFO/BRAÇADEIRA BOEING.** A) Coloque a placa de fixação em cima do pólo interno central. B) Deslize a placa de fixação para frente e alinhe os orifícios de montagem no poste interno central e na placa de fixação. C) Aparafuse e prenda com 2 x parafusos M8, arruelas e porcas de flange. Peças: 1 x placa de fixação, 2 x parafusos M8 de 55 mm, 2 x arruelas M8, 2 x porcas de flange M8
- 19d - Consulte a imagem. **INSTALAÇÃO DA PLACA DO TECLADO CENTRAL.** Alinhe os orifícios e ranhuras de montagem na Placa do Teclado com os orifícios passantes no Poste Interno Central. Aparafuse e prenda com 2 x parafusos M8, arruelas e porcas de flange. Peças: 1 x placa de teclado, 2 x parafusos M8 55mm, 2 x arruelas M8, 2 x porcas flangeadas M8.
- 20 - Consulte a imagem. Passe o cinto de segurança pelos ilhós do encosto do banco. Alinhe os orifícios de montagem em cada placa de montagem do cinto de segurança com os orifícios passantes nas estruturas do assento e as inserções rosqueadas na parte inferior da parte inferior do assento. Aparafuse e prenda com 4 parafusos M8, arruelas e 2 porcas flangeadas M8. Peças: 1 x cinto de segurança, 2 x parafusos M8 16mm, 2 x parafusos M8 55mm, 4 x arruelas M8, 2 x porcas flangeadas M8.
- 21 - Consulte a imagem. Alinhe os pés ajustáveis com as inserções rosqueadas na parte inferior da estrutura do pedal e da estrutura do assento. Trave no lugar girando os pés ajustáveis nas inserções rosqueadas. Para levantar um pé ajustável, gire no sentido anti-horário. Peças: 6 x pés ajustáveis.
- 22 - Consulte a imagem. Seu cockpit do Flight Simulator está completo. Partes: NIL
- 23 - Consulte a imagem. **INSTALAÇÃO DO SUPORTE OPCIONAL.** Alinhe o ponto de articulação no suporte de suporte com os orifícios de montagem na montagem do suporte de suporte. Aparafuse e prenda com 1 x parafuso M8, arruela, espaçador de barril e porca de flange. Peças: 1 x suporte de suporte, 1 x suporte de montagem de suporte, 1 x parafuso M8 de 55 mm, 1 x espaçador de barril, 1 x arruela M8, 1 x porca de flange M8.
- 24 - Consulte a imagem. A) Desinstale os botões que prendem o Poste Interno Central ao Poste Externo Central e remova o Poste Externo Central. B) Desinstale as 2 porcas de flange M8 que fixam o poste externo HOTAS à travessa. Partes: NIL.
- 25 - Consulte a imagem. Alinhe os orifícios de montagem no suporte de suporte com os orifícios passantes na travessa. Prenda com 2 x porcas de flange M8 desinstaladas anteriormente na etapa 24. Peças: 2 x porcas de flange M8.
- 26 - Consulte a imagem. A) Alinhe as inserções rosqueadas no Poste Externo Central com as ranhuras no Suporte de Suporte. Parafuso com 2 x botões. B) Encaixe o Poste Interno Central no Poste Externo Central. Alinhe as inserções rosqueadas no Poste Interno Central com a ranhura no Poste Externo Central. Aparafuse e prenda com 2 x botões. Peças: 1 x pólo interno central, 4 x botões de 15 mm.
- 27 - Consulte a imagem. **MONTAGEM LATERAL DA PLACA DO TECLADO OPCIONAL.** Alinhe os slots de montagem no braço do teclado com os orifícios na placa do mouse. Aparafuse e prenda com 2 x parafusos M6, arruelas e porcas de flange. Peças: 1 x braço de teclado, 2 x parafusos M6 de 16 mm, 2 x arruelas M6, 2 x porcas de flange M6.
- 28 - Consulte a imagem. Alinhe os orifícios de montagem na placa do teclado com os orifícios passantes no braço do teclado. Aparafuse e prenda com 2 x parafusos M8, arruelas e porcas de flange. Peças: 1 x placa de teclado, 2 x parafusos M8 55mm, 2 x arruelas M8, 2 x porcas flangeadas M8.
- 29 - Consulte a imagem. **BRAÇO LATERAL RETO OPCIONAL.** A) Desinstale 2 parafusos M8, arruelas e porcas flangeadas que prendem o braço lateral. Separe a placa de voo do braço lateral. B) Desinstale 2 parafusos M8, arruelas e porcas de flange que prendem um lado da travessa à estrutura do assento. Partes: NIL.
- 30 - Consulte a imagem. A) Alinhe o braço lateral reto com os orifícios passantes na estrutura do assento e na travessa. B) Aparafuse e prenda com 2 x parafusos M8, arruelas e porcas flangeadas desinstaladas na Etapa 29. Peças: 1 x braço lateral reto, 2 x parafusos M8 de 55 mm, 2 x arruelas M8, 2 x porcas flangeadas M8.
- 31 - Consulte a imagem. Alinhe os pinos roscados da placa do mouse com os orifícios de montagem no braço lateral reto. Fixe com 4 x porcas de flange M8. Peças: 4 x porcas de flange M8.
- 32 - Consulte a imagem. **AJUSTE DO ÂNGULO DA PLACA DO PEDAL.** Desinstale os parafusos dianteiros, arruelas quadradas e porcas flangeadas que prendem a placa do ângulo do pedal à estrutura do pedal e solte os parafusos traseiros. Ajuste para o ângulo desejado. Aparafuse e prenda com os parafusos, arruelas quadradas e porcas de flange desinstaladas anteriormente. Partes: NIL.
- 33 - Consulte a imagem. **AJUSTE DE ALTURA DO POLO HOTAS.** Afrouxe os botões que prendem o poste interno HOTAS ao poste externo HOTAS. Ajuste a altura desejada e aperte os botões para travar no lugar. Partes: NIL.
- 34 - Consulte a imagem. **AJUSTE DO ÂNGULO DO POLO HOTAS.** Desinstale os parafusos dianteiros, arruelas e porcas flangeadas que prendem a placa HOTAS ao poste interno HOTAS. Ângulo para a posição desejada. Aparafuse e prenda com 1 x parafuso, arruela e porca de flange desinstaladas anteriormente. Partes: NIL.
- 35 - Consulte a imagem. **AJUSTE DA ALTURA DO PÓLO CENTRAL.** Afrouxe os botões que prendem o poste central interno ao poste central externo. Ajuste o pólo central interno para a altura desejada e aperte os botões para fixar no lugar. Utilize as múltiplas inserções rosqueadas para um ajuste perfeito. Partes: NIL.
- 36 - Consulte a imagem. **AJUSTE DO ÂNGULO DO PÓLO CENTRAL.** Afrouxe os botões que prendem o poste central interno ao poste central externo. Ajuste o pólo central interno para a altura desejada e aperte os botões para fixar no lugar. Utilize as múltiplas inserções rosqueadas para um ajuste perfeito. Partes: NIL.
- 37 - Consulte a imagem. **INSTALAÇÃO DO LEME TPR.** Instale 4 pinos roscados M6 no adaptador TPR. Peças: 1 x adaptador TPR, 4 x pinos roscados M6 20mm.
- 38 - Consulte a imagem. Alinhe os orifícios de montagem na frente do leme TPR com o pino rosçado no adaptador TPR. Fixe com 2 x porcas de flange M6. Os lemes TPR estão prontos para serem instalados no cockpit. Peças: 2 x porcas de flange M6, 1 x leme TPR (não incluído).
- 39 - Consulte a imagem. **INSTALAÇÃO DO PÓLO BUTTKICKER.** Alinhe os orifícios de montagem no ButtKicker Pole com as inserções rosqueadas sob a parte inferior do assento. Aparafuse e prenda com 2 x parafusos e arruelas M8. Peças: 1 x mastro ButtKicker, 2 x parafusos M8 16mm, 2 x arruelas M8.
- 40 - Consulte a imagem. **INSTALAÇÃO DO TAPETE DO RATO.** Coloque o Mouse Mat em cima da Flight Plate. Um mouse agora pode ser usado. O Mouse Mat também pode ser colocado em cima do Mouse Plate. Partes: 1 x tapete de rato.
- 41 - Consulte a imagem. **INSTALAÇÃO DA TAPETE DO TECLADO.** Coloque o Tapete do Teclado em cima do Lugar do Teclado. Um teclado agora pode ser usado. Partes: 1 x tapete de teclado.

AVISO

- Por favor, não use ferramentas elétricas para a montagem, pois o aperto excessivo pode danificar seu quadro.
- Disponha e construa o cockpit em uma superfície plana.
- Não force as peças juntas.
- Evite parafusos de rosca cruzada.
- Em caso de dúvida, consulte o vídeo de instalação.

ASSISTÊNCIA

Se você precisar de mais suporte com seu produto, entre em contato com nossa equipe amigável em: support@nextlevelracing.com

RU

Руководство по эксплуатации авиасимулятора

Мы знаем, что вы хотите начать гонку! Не торопитесь с инструкциями и следуйте этому руководству, чтобы собрать свой продукт. Вы настроите себя на успех, следуя буклету с инструкциями, чтобы полностью оптимизировать свой продукт. Для видео сборки отсканируйте QR-код, bit.ly/nlrbuild. Подписывайтесь на нас. Сканируйте QR-код

ПРЕДПОЛЕТНЫЕ ПРОВЕРКИ

ПРЕДУПРЕЖДЕНИЕ

- Пожалуйста, не используйте электроинструменты для сборки, так как чрезмерное затягивание может повредить раму.
- Разместите и постройте кабину на ровной поверхности.
- Не соединяйте детали силой.
- Избегайте болтов с перекрестной резьбой.
- Если вы сомневаетесь, обратитесь к видео по установке.

Если вам требуется поддержка по вашему продукту, свяжитесь с нашей дружной командой по адресу: support@nextlevelracing.com

ПРЕДУПРЕЖДЕНИЕ ОПАСНОСТЬ УДУШЬЯ

Мелкие детали не предназначены для детей младше 3 лет или лиц, склонных брать в рот несъедобные предметы.

НАЧАЛО

- 01 - См. изображение. A) Совместите монтажные отверстия на угловой пластине педали с прорезями на раме педали. B) Верните и закрепите 4 болтами M8, квадратными шайбами и фланцевыми гайками. Детали: 1 рама педали, 1 угловая пластина педали, 4 болта M8 55 мм, 4 квадратных шайбы, 4 фланцевые гайки M8.
- 02 - См. изображение. A) Совместите монтажные пазы на пластине педали с резьбовыми вставками на угловой пластине педали. B) Верните и закрепите 4 болтами M8 с шайбами. Детали: 1 пластина педали, 4 болта M8 16 мм, 4 шайбы M8.
- 03 - См. изображение. A) Совместите монтажные отверстия на рамах сидений с монтажными отверстиями и резьбовыми вставками на раме педалей. B) В верхней части рамы вкрутите болты и закрепите рамы сидений с помощью 2 болтов M8 15 мм и шайб. C) Проденьте болт через центр рамы и закрепите двумя болтами M8 55 мм, шайбами и фланцевыми гайками. Детали: 2 каркаса сиденья, 2 болта M8 55 мм, 2 болта M8 16 мм, 4 шайбы M8, 2 фланцевые гайки M8.
- 04 - См. изображение. Совместите резьбовые вставки на торцевой пластине с монтажными отверстиями на левой и правой рамах сиденья. Вкрутите и закрепите 4 болтами M8 с шайбами. Детали: 1 торцевая пластина, 4 болта M8 55 мм, 4 шайбы M8.
- 05 - См. изображение. Совместите монтажные отверстия на боковых панелях со сквозными отверстиями на рамах сидений. Прикрутите и закрепите 4 болтами M8, шайбами и фланцевыми гайками. Детали: 2 боковые панели, 4 болта M8 55 мм, 4 шайбы M8, 4 фланцевые гайки M8.
- 06 - См. изображение. A) Совместите монтажные отверстия на поперечине со сквозными отверстиями на левой и правой рамах сидений и боковых панелей. B) Верните и закрепите 4 болтами M8, шайбами и фланцевыми гайками. Детали: 1 поперечина, 4 болта M8 55 мм, 4 шайбы M8, 4 фланцевые гайки M8.
- 07 - См. изображение. A) Приложите вес тела к основанию сиденья. Потяните ручку кресла вверх одной рукой и отрегулируйте так, чтобы кресло было перпендикулярно нижней части сиденья. Повторите с другой стороны. B) Снимите 4 болта с полукруглой головкой, которые предварительно установлены на спинке сиденья, и совместите резьбовые вставки на спинке сиденья с монтажными отверстиями на нижней части сиденья. C) Вкрутите и закрепите 4 болтами с куполообразной головкой M8, которые ранее были удалены. Снимите предупреждающие этикетки с кресел. Детали: 1 спинка сиденья, 1 нижняя часть сиденья.
- 08 - См. изображение. A) Потяните ручку ползунка сиденья вверх и установите сиденье в крайнее переднее положение. B) Совместите монтажные отверстия на ползунках сиденья с местами крепления сиденья (см. рисунок) на левой и правой рамах сиденья. C) Сзади вкрутите болты и закрепите двумя болтами M8 с квадратной шейкой и фланцевыми гайками. Детали: 2 болта с квадратным подголовком M8 16 мм, 2 фланцевые гайки M8.
- 09 - См. изображение. A) Потяните за ручку ползунка сиденья и установите сиденье в крайнее заднее положение. B) Спереди вкрутите болты и закрепите двумя болтами M8 с квадратной шейкой и фланцевыми гайками. Детали: 2 болта с квадратным подголовком M8 16 мм, 2 фланцевые гайки M8.
- 10 - См. изображение. A) Совместите монтажные пазы на левом и правом боковых рычагах со сквозными отверстиями на левой и правой рамах сиденья и боковых панелей. B) Верните и закрепите 4 болтами M8, шайбами и фланцевыми гайками. Детали: 2 боковых рычага, 4 болта M8 55 мм, 4 шайбы M8, 4 фланцевые гайки M8.
- 11 - См. изображение. Ослабьте болты, чтобы отрегулировать боковые рычаги на желаемую высоту и угол. Затяните болты, чтобы зафиксировать их на месте. Пожалуйста, используйте дополнительные сквозные отверстия на рамах сидений для регулировки спинки и вперед. Детали: нет
- 12 - См. изображение. Совместите резьбовые шпильки на пластине мыши и пластине полета с монтажными отверстиями на левом и правом боковых рычагах. Закрепите с помощью 8 фланцевых гаек M8. ПРИМЕЧАНИЕ. Пластины взаимозаменяемы и могут быть установлены для левой или правой. Детали: 1 пластина для мыши, 1 пластина для полета, 8 фланцевых гаек M8.
- 13 - См. изображение. **ДОПОЛНИТЕЛЬНАЯ УСТАНОВКА HOTAS.** Совместите монтажные отверстия на внешней опоре HOTAS со сквозными отверстиями на поперечине. Прикрутите и закрепите двумя болтами M8, шайбами и фланцевыми гайками. Детали: 1 внешняя стойка HOTAS, 2 болта M8 55 мм, 2 шайбы M8, 2 фланцевые гайки M8.
- 14 - См. изображение. Совместите резьбовые вставки на внутренней стойке HOTAS с прорезью на внешней стойке HOTAS. Вкрутите болт и закрепите двумя ручками. Детали: 1 внутренний стержень HOTAS, 2 ручки 15 мм.
- 15 - См. изображение. Совместите монтажные отверстия на пластине HOTAS со сквозными отверстиями на внутренней стойке HOTAS. Прикрутите и закрепите с помощью 3 болтов M8, шайб и фланцевых гаек. Детали: 1 пластина HOTAS, 3 болта M8 55 мм, 3 шайбы M8 16 мм, 3 фланцевые гайки M8.
- 16 - См. изображение. A) Совместите монтажные отверстия на центральной внешней стойке с отверстиями на раме педали. B) Совместите распорку ствола с отверстиями на центральной внешней стойке. Прикрутите и закрепите двумя болтами M8, шайбами и фланцевыми гайками. Детали: 1 центральная внешняя стойка, 2 болта M8 55 мм, 2 шайбы M8, 2 фланцевые гайки M8, 1 распорная втулка ствола.17а — см. рисунок. Аккуратно поместите центральную стойку поверх рамы педали и убедитесь, что защелка опущена.
- 17b — см. изображение. Зацепите U-образный болт за фиксатор на раме педали.
- 17с - См. изображение. Убедитесь, что U-образный болт правильно сидит в фиксирующем выступе, и потяните защелку до упора.
- 17d — см. изображение. Для более плотного запирания расстегните защелку, отрегулируйте гайки в верхней части защелки и снова закройте ее.
- 18 - См. изображение. Установите 1 войлочную прокладку на верхнюю часть центральной внутренней стойки. Совместите резьбовые вставки на центральной внутренней стойке с прорезями на центральной внешней стойке. Вкрутите болт и закрепите двумя ручками. Детали: 1 центральный внутренний стержень, 2 ручки 15 мм, 1 войлочная прокладка.
- 19а — см. изображение. **УСТАНОВИТЕ ПЛАСТИНУ ЦЕНТРАЛЬНОЙ ВИЛКИ.** Совместите монтажные отверстия на центральной пластине бугеля со сквозными отверстиями на центральной внутренней стойке. Верните и закрепите с помощью 3 болтов M8 60 мм, шайб и фланцевых гаек. Детали: 1 центральная пластина бугеля, 3 болта M8 60 мм, 3 шайбы M8 16 мм, 3 фланцевые гайки M8.
- 19b — см. изображение. **УСТАНОВИТЕ ДОПОЛНИТЕЛЬНЫЙ АДАПТЕР ДЛЯ ЧЕРЕПАХА** (продолжайте с 19а). A) Вкрутите 2 шпильки M6 в крайние задние резьбовые отверстия на центральной пластине бугеля. B) Совместите монтажные отверстия на переходной пластине Turtle Beach со шпильками с резьбой и закрепите двумя фланцевыми гайками M6. Детали: 1 переходная пластина Turtle Beach, 2 резьбовые шпильки M6 20 мм, 2 фланцевые гайки M6.



support@nextlevelracing.com



Video Instruction: bit.ly/nlrbuid

- 19c - См. изображение. BOEING YUUU/ЗАЖИМНАЯ ПЛАСТИНА УСТАНОВИТЕ. А) Поместите зажимную пластину поверх центральной внутренней стойки. В) Сдвиньте прижимную пластину вперед и совместите монтажные отверстия на центральной внутренней опоре и прижимной пластине. С) Верните и закрепите двумя болтами М8, шайбами и фланцевыми гайками. Детали: 1 зажимная пластина, 2 болта М8 55 мм, 2 шайбы М8, 2 фланцевые гайки М8
- 19d — см. изображение. УСТАНОВИТЕ ЦЕНТРАЛЬНУЮ ПЛАСТИНУ КЛАВИАТУРЫ. Совместите монтажные отверстия и прорези на пластине клавиатуры со сквозными отверстиями на центральной внутренней стойке. Прикрутите и закрепите двумя болтами М8, шайбами и фланцевыми гайками. Детали: 1 панель клавиатуры, 2 болта М8 55 мм, 2 шайбы М8, 2 фланцевые гайки М8.
- 20 - См. изображение. Протяните ремень безопасности через проушины в спинке сиденья. Совместите монтажные отверстия на каждой монтажной пластине ремня безопасности со сквозными отверстиями на рамах сидений и резьбовыми вставками на нижней стороне днища сиденья. Прикрутите и закрепите 4 болтами М8, шайбами и 2 фланцевыми гайками М8. Детали: 1 ремень безопасности, 2 болта М8 16 мм, 2 болта М8 55 мм, 4 шайбы М8, 2 фланцевые гайки М8.
- 21 - См. изображение. Совместите регулируемые ножки с резьбовыми вставками в нижней части рамы педали и рамы сиденья. Зафиксируйте на месте, вкрутив регулируемые ножки в резьбовые вставки. Чтобы поднять регулируемую ножку, поверните ее против часовой стрелки. Детали: 6 регулируемых ножек.
- 22 - См. изображение. Ваша кабина симулятора полета готова. Детали: нет
- 23 - См. изображение. УСТАНОВИТЕ ДОПОЛНИТЕЛЬНЫЙ ОПОРНЫЙ КРОНШТЕЙН. Совместите точку поворота на опорном кронштейне с монтажными отверстиями на креплении опорного кронштейна. Вкрутите болт и закрепите с помощью 1 болта М8, шайбы, втулки ствола и фланцевой гайки. Детали: 1 опорный кронштейн, 1 крепление опорного кронштейна, 1 болт М8 55 мм, 1 проставка для ствола, 1 шайба М8, 1 фланцевая гайка М8.
- 24 - См. изображение. А) Снимите ручки, крепящие центральную внутреннюю стойку к центральной внешней стойке, и снимите центральную внешнюю стойку. В) Снимите 2 фланцевые гайки М8, крепящие внешнюю опору HOTAS к поперечине. Части: нет.
- 25 - См. изображение. Совместите монтажные отверстия на опорном кронштейне со сквозными отверстиями на поперечине. Закрепите с помощью 2 фланцевых гаек М8, снятых ранее на шаге 24. Детали: 2 фланцевых гайки М8.
- 26 - См. изображение. А) Совместите резьбовые вставки на центральной внешней стойке с прорезями на опорном кронштейне. Болт через 2 x Ручки. В) Вставьте центральную внутреннюю стойку в центральную внешнюю стойку. Совместите резьбовые вставки на центральной внутренней стойке с прорезью на центральной внешней стойке. Вкрутите болт и закрепите двумя ручками. Детали: 1 центральный внутренний стержень, 4 ручки 15 мм.
- 27 - См. изображение. ДОПОЛНИТЕЛЬНО БОКОВОЕ КРЕПЛЕНИЕ КЛАВИАТУРНОЙ ПЛАСТИНЫ. Совместите монтажные пазы на кронштейне клавиатуры с отверстиями на пластине мыши. Прикрутите и закрепите двумя болтами М6, шайбами и фланцевыми гайками. Детали: 1 кронштейн для клавиатуры, 2 болта М6 16 мм, 2 шайбы М6, 2 фланцевые гайки М6.
- 28 - См. изображение. Совместите монтажные отверстия на пластине для клавиатуры со сквозными отверстиями на кронштейне для клавиатуры. Прикрутите и закрепите двумя болтами М8, шайбами и фланцевыми гайками. Детали: 1 панель клавиатуры, 2 болта М8 55 мм, 2 шайбы М8, 2 фланцевые гайки М8.
- 29 - См. изображение. ДОПОЛНИТЕЛЬНЫЙ ПРЯМОЙ БОКОВОЙ РЫЧАГ. А) Снимите 2 болта М8, шайбы и фланцевые гайки, крепящие боковой рычаг. Отсоедините летную пластину от бокового рычага. В) Снимите 2 болта М8, шайбы и фланцевые гайки, крепящие одну сторону поперечины к раме сиденья. Части: нет.
- 30 - См. изображение. А) Совместите прямой боковой рычаг со сквозными отверстиями в раме сиденья и поперечине. В) Верните и закрепите с помощью 2 болтов М8, шайб и гаек с буртиком, снятых на шаге 29. Детали: 1 прямой боковой рычаг, 2 болта М8 55 мм, 2 шайбы М8, 2 гайки с буртиком М8.
- 31 - См. изображение. Совместите резьбовые шпильки пластины мыши с монтажными отверстиями на прямом боковом рычаге. Закрепите с помощью 4 фланцевых гаек М8. Детали: 4 фланцевые гайки М8.
- 32 - См. изображение. РЕГУЛИРОВКА УГЛА ПЕДАЛИ. Снимите передние болты, квадратные шайбы и фланцевые гайки, крепящие угловую пластину педали к раме педали, и ослабьте задние болты. Отрегулируйте до нужного угла. Вкрутите и закрепите болтами, квадратными шайбами и фланцевыми гайками, которые ранее не были установлены. Части: нет.
- 33 - См. изображение. HOTAS POLE РЕГУЛИРОВКА ПО ВЫСОТЕ. Ослабьте ручки, крепящие внутреннюю стойку HOTAS к внешней стойке HOTAS. Отрегулируйте до желаемой высоты и затяните ручки, чтобы зафиксировать их на месте. Детали: нет
- 34 - См. изображение. РЕГУЛИРОВКА УГЛА HOTAS POLE. Снимите передние болты, шайбы и фланцевые гайки, крепящие пластину HOTAS к внутренней стойке HOTAS. Угол в нужное положение. Верните болт и закрепите с помощью 1 болта, шайбы и фланцевой гайки, которые ранее были удалены. Части: нет.
- 35 - См. изображение. РЕГУЛИРОВКА ВЫСОТЫ ЦЕНТРАЛЬНОЙ СТОЙКИ. Ослабьте ручки, крепящие внутреннюю центральную стойку к внешней центральной стойке. Отрегулируйте внутреннюю центральную стойку на желаемую высоту и затяните ручки, чтобы зафиксировать ее на месте. Используйте несколько резьбовых вставок для идеальной подгонки. Части: нет.
- 36 - См. изображение. РЕГУЛИРОВКА УГЛА ЦЕНТРАЛЬНОЙ ОПОРЫ. Ослабьте ручки, крепящие внутреннюю центральную стойку к внешней центральной стойке. Отрегулируйте внутреннюю центральную стойку на желаемую высоту и затяните ручки, чтобы зафиксировать ее на месте. Используйте несколько резьбовых вставок для идеальной подгонки. Части: нет.
- 37 - См. изображение. УСТАНОВКА РУЛЯ TPR. Установите 4 шпильки с резьбой М6 в адаптер TPR. Детали: 1 адаптер TPR, 4 резьбовые шпильки М6 20 мм.
- 38 - См. изображение. Совместите монтажные отверстия на передней части руля TPR с резьбовой шпилькой на адаптере TPR. Закрепите двумя фланцевыми гайками М6. Рули направления TPR готовы к установке в кабину. Детали: 2 гайки с фланцем М6, 1 руль направления TPR (не входит в комплект).
- 39 - См. изображение. BUTTKICKER POLE УСТАНОВИТЬ. Совместите монтажные отверстия на стойке ButtKicker с резьбовыми вставками под днищем сиденья. Вкрутите и закрепите двумя болтами М8 с шайбами. Детали: 1 стержень ButtKicker, 2 болта М8 16 мм, 2 шайбы М8.
- 40 - См. изображение. УСТАНОВКА КОВРИКА ДЛЯ МЫШИ. Поместите коврик для мыши поверх пластины для полета. Теперь можно использовать мышь. Коврик для мыши также можно положить поверх подставки для мыши. Детали: 1 коврик для мыши.
- 41 - См. изображение. УСТАНОВКА КЛАВИАТУРНОГО КОВРА. Поместите коврик для клавиатуры поверх места для клавиатуры. Теперь можно использовать клавиатуру. Детали: 1 коврик для клавиатуры.

ПРЕДУПРЕЖДЕНИЕ

- Пожалуйста, не используйте электроинструменты для сборки, так как чрезмерное затягивание может повредить раму.
- Разместите и постройте кабину на ровной поверхности.
- Не соединяйте детали силой.
- Избегайте болтов с перекрестной резьбой.
- Если вы сомневаетесь, просмотрите видео по установке.

ПОМОЩЬ

Если вам требуется дополнительная поддержка по вашему продукту, свяжитесь с нашей дружной командой по адресу: support@nextlevelracing.com

TR

Uçuş Simülatörü Kullanım Kılavuzu

Yarıya başlamak için istekli olduğunuzu biliyoruz! Talimatlara zaman ayırın ve ürününüzü monte etmek için bu kılavuzu izleyin. Ürününüzü tamamen optimize etmek için talimat kitapçığını izleyerek kendinizi başarıya hazırlayacaksınız. Montaj videosu için QR kodunu tarayın. bit.ly/nlrbuid. Bizi takip et. QR kodunu tarayın

UÇUŞ ÖNCESİ KONTROLLER

UYARI

- Montaj için lütfen elektrikli aletler kullanmayın çünkü aşırı sıkılmak çerçevenize zarar verebilir.
- Kokpiti düz bir yüzeye yerleştirin ve inşa edin.
- Parçaları birbirine zorlamayın.
- Civatalara çapraz diş geçirmekten kaçının.
- Şüphelenir varsa kurulum videosuna bakın.

Ürününüzle ilgili herhangi bir desteğe ihtiyacınız varsa, lütfen şu adresten güler yüzlü ekibimizle iletişime geçin: support@nextlevelracing.com

UYARI BOĞULMA TEHLİKESİ

Küçük parçalar, 3 yaşından küçük çocuklar veya yenmeyen nesnelere ağızlarına götürmeye meyilli kişiler için uygun değildir.

BAŞLAT

- 01 - Resme bakın. A) Pedal Açı Plakasındaki montaj deliklerini Pedal Çerçevesindeki yuvalarla hizalayın. B) 4 x M8 Civata, Kare Pullar ve Flaş Somunları ile civatalayın ve sabitleyin. Parçalar: 1 x Pedal Çerçevesi, 1 x Pedal Açı Plakası, 4 x M8 55mm Civata, 4 x Kare Pul, 4 x M8 Flaş Somun.
- 02 - resme bakın. A) Pedal Plakasındaki montaj yuvalarını Pedal Açı Plakasındaki dişli uçlarla hizalayın. B) 4 x M8 Civata ve Pullarla civatalayın ve sabitleyin. Parçalar: 1 x Pedal Plakası, 4 x M8 16mm Civata, 4 x M8 Pul.
- 03 - Resme bakın. A) Koltuk Çerçevesindeki montaj deliklerini Pedal Çerçevesindeki montaj delikleri ve dişli uçlarla hizalayın. B) Çerçevenin üst kısmında, 2 x M8 15mm Civata ve Pul ile Koltuk Çerçevesini civatalayın ve sabitleyin. C) Çerçevenin ortasından civatalayın ve 2 x M8 55mm Civata, Pul ve Flaş Somunlarıyla sabitleyin. Parçalar: 2 x Yuva Çerçevesi, 2 x M8 55mm Civata, 2 x M8 16mm Civata, 4 x M8 Pul, 2 x M8 Flaş Somun.
- 04 - Resme bakın. Uç Plakadaki dişli ekleri Sol ve Sağ Koltuk Çerçevesindeki montaj delikleriyle hizalayın. 4 x M8 Civata ve Pullarla civatalayın ve sabitleyin. Parçalar: 1 x Uç Plakası, 4 x M8 55mm Civata, 4 x M8 Pul.
- 05 - Resme bakın. Yan Panellerdeki montaj deliklerini Koltuk Çerçevesindeki açık deliklerle hizalayın. 4 x M8 Civata, Pul ve Flaş Somunları ile civatalayın ve sabitleyin. Parçalar: 2 x Yan Paneller, 4 x M8 55mm Civata, 4 x M8 Pul, 4 x M8 Flaş Somun.
- 06 - Resme bakın. A) Çapraz Elemandaki montaj deliklerini Sol ve Sağ Koltuk Çerçevesi ve Yan Panellerdeki açık deliklerle hizalayın. B) 4 x M8 Civata, Pul ve Flaş Somunları ile civatalayın ve sabitleyin. Parçalar: 1 x Travers, 4 x M8 55mm Civata, 4 x M8 Pul, 4 x M8 Flaş Somun.
- 07 - resme bakın. A) Vücut ağırlığı ile koltuk tabanına basınç uygulayın. Bir elinizle yatar koltuğunun tutamağını yukarı çekin ve yatar koltuğu Koltuk Alt kısmına dik olacak şekilde ayarlayın. Diğer tarafta tekrarlayın. B) Koltuk Arkalığında önceden takılmış olan 4 adet Kubbe Başlı Civatayı sökün ve Koltuk Arkalığındaki dişli ekleri Koltuk Altlığındaki montaj delikleriyle hizalayın. C) Daha önce sökülmüş olan 4 x M8 Kubbe Başlı Civata ile civatalayın ve sabitleyin. Koltuklardaki uyarı etiketlerini çıkarın. Parçalar: 1 x Koltuk Arkalığı, 1 x Koltuk Altlığı.
- 08 - resme bakın. A) Koltuk Kaydırıcı kolunu yukarı çekin ve Koltuğu en ön konuma ayarlayın. B) Koltuk Sürgünündeki montaj deliklerini Sol ve Sağ Koltuk Çerçevesindeki koltuk montaj konumlarıyla (resme bakın) hizalayın. C) Arkada, 2 x M8 Kare Boyunlu Civata ve Flaş Somunları ile civatalayın ve sabitleyin. Parçalar: 2 x M8 16mm Kare Boyunlu Civata, 2 x M8 Flaş Somun.
- 09 - Resme bakın. A) Koltuk Kaydırıcı kolunu çekin ve Koltuğu en arka konuma ayarlayın. B) Önde, 2 x M8 Kare Boyunlu Civata ve Flaş Somunları ile civatalayın ve sabitleyin. Parçalar: 2 x M8 16mm Kare Boyunlu Civata, 2 x M8 Flaş Somun.
- 10 - resme bakın. A) Sol ve Sağ Yan Kollardaki montaj yuvalarını Sol ve Sağ Koltuk Çerçevesi ve Yan Panellerdeki açık deliklerle hizalayın. B) 4 x M8 Civata, Pul ve Flaş Somunları ile civatalayın ve sabitleyin. Parçalar: 2 x Yan Kol, 4 x M8 55mm Civata, 4 x M8 Pul, 4 x M8 Flaş Somun.
- 11 - resme bakın. Yan Kolları istenen yükseklik ve açya ayarlamak için Civataları gevşetin. Yerlerine kilitlemek için Civataları sıkın. Geri ve ileri ayar için lütfen Koltuk Çerçevesindeki ekstra açık deliklerden yararlanın. Parçalar: NIL
- 12 - resme bakın. Fare Plakası ve Uçuş Plakasındaki Dişli Saplamaları Sol ve Sağ Yan Kollardaki montaj delikleriyle hizalayın. 8 x M8 Flaş Somunları ile sabitleyin. NOT: Plakalar değiştirilebilir ve sol veya sağ elini kullanan kullanıcılar için uygun şekilde monte edilebilir. Parçalar: 1 x Fare Plakası, 1 x Uçuş Plakası, 8 x M8 Flaş Somunları.
- 13 - resme bakın. OPSİYONEL HOTAS KURULUMU. HOTAS Dış Direği üzerindeki montaj deliklerini Çapraz Eleman üzerindeki açık deliklerle hizalayın. 2 x M8 Civata, Pul ve Flaş Somunları ile civatalayın ve sabitleyin. Parçalar: 1 x HOTAS Dış Direk, 2 x M8 55mm Civata, 2 x M8 Pul, 2 x M8 Flaş Somun.
- 14 - resme bakın. HOTAS İç Kutup üzerindeki dişli ekleri, HOTAS Dış kutup üzerindeki yuva ile hizalayın. 2 x Topuz ile vidalayın ve sabitleyin. Parçalar: 1 x HOTAS İç Direk, 2 x 15mm Dügme.
- 15 - resme bakın. HOTAS Plakası üzerindeki montaj deliklerini HOTAS İç Direği üzerindeki açık deliklerle hizalayın. 3 x M8 Civata, Pul ve Flaş Somunları ile civatalayın ve sabitleyin. Parçalar: 1 x HOTAS Plaka, 3 x M8 55mm Civata, 3 x M8 16mm Pul, 3 x M8 Flaş Somun.
- 16 - resme bakın. A) Orta Dış Direkteki montaj deliklerini Pedal Çerçevesindeki deliklerle hizalayın. B) Namlu Ara Parçasını Merkez Dış Kutuptaki deliklerle hizalayın. 2 x M8 Civata, Pul ve Flaş Somunları ile civatalayın ve sabitleyin. Parçalar: 1 x Merkez Dış Kutup, 2 x M8 55mm Civata, 2 x M8 Pul, 2 x M8 Flaş Somun, 1 x Namlu Ara Parçası.17a - Resme bakın. Orta Kutbu Pedal Çerçevesinin üzerine nazikçe yerleştirin ve mandalın aşağıda olduğundan emin olun.
- 17b - Resme bakın. U-Civatayı Pedal Çerçevesindeki kilitleme tırnağına takın.
- 17c - resme bakın. U civatanın kilitleme tırnağına düzgün şekilde oturduğundan emin olun ve mandalı sıkılaşıncaya kadar çekin.
- 17d - Resme bakın. Daha sıkı bir kilit için mandalı açın, mandalın üst kısmındaki somunları ayarlayın ve tekrar kapatın.
- 18 - resme bakın. Orta İç Direğin üstüne 1 x Keçe Ped takın. Orta İç Kutuptaki dişli ekleri Orta Dış Kutuptaki yuvalarla hizalayın. 2 x Topuz ile vidalayın ve sabitleyin. NOT: Yüksek uçlu boyunduruk kullanılıyorsa, lütfen isteğe bağlı Destek Braketini takın (Adım 23 - 26). Parçalar: 1 x Merkez İç Direk, 2 x 15mm Dügme, 1 x Keçe Ped.
- 19a - resme bakın. MERKEZİ YOKE PLAKA MONTAJI. Orta Çubuk Plakasındaki montaj deliklerini Merkez İç Direk üzerindeki açık deliklerle hizalayın. 3 x M8 60mm Civata, Pul ve Flaş Somunları ile civatalayın ve sabitleyin. Parçalar: 1 x Merkez Boyunduruk Plakası, 3 x M8 60mm Civata, 3 x M8 16mm Pul, 3 x M8 Flaş Somun.
- 19b - Resme bakın. OPSİYONEL KAPLUMBAĞA PLAJI ADAPTÖR TAKIMI (19a'dan devam). A) 2 x M6 Saplamaları Merkez Boyunduruk Plakasındaki en arkadaki dişli deliklere vidalayın. B) Kaplumbağa Sahilli Adaptör Plakasındaki montaj deliklerini dişli saplamalarla hizalayın. 2 x M6 Flaş Somunlarıyla sabitleyin. Parçalar: 1 x Kaplumbağa Sahilli Adaptör Plakası, 2 x M6 20mm Dişli Saplama, 2 x M6 Flaş Somun.



support@nextlevelracing.com



Video Instruction: bit.ly/nlrbuild

- 19c - resme bakın. BOEING YOKE/KELEPÇE PLAKASI MONTAJI. A) Kelepçe Plakasını Merkez İç Direğin üstüne yerleştirin. B) Kelepçe Plakasını ileri kaydırın ve Orta İç Direk ve Kelepçe Plakasındaki montaj deliklerini hizalayın. C) 2 x M8 Cıvata, Pul ve Flanş Somunları ile cıvatalayın ve sabitleyin. Parçalar: 1 x Kelepçe Plakası, 2 x M8 55mm Cıvata, 2 x M8 Pul, 2 x M8 Flanş Somun
- 19d - Resme bakın. MERKEZİ KLAVYE PLAKASI KURULUMU. Klavye Plakasındaki montaj deliklerini ve yuvaları, Orta İç Kutup üzerindeki açık deliklerle hizalayın. 2 x M8 Cıvata, Pul ve Flanş Somunları ile cıvatalayın ve sabitleyin. Parçalar: 1 x Klavye Plakası, 2 x M8 55mm Cıvata, 2 x M8 Pul, 2 x M8 Flanş Somun.
- 20 - resme bakın. Emniyet Kemerini Koltuk Sırtlığındaki deliklerden geçirin. Her bir Emniyet Kemerini montaj plakasındaki montaj deliklerini, Koltuk Çerçevesindeki açık delikler ve Koltuk Altlığının alt tarafındaki dişi ek parçaları hizalayın. 4 x M8 Cıvata, Pul ve 2 x M8 Flanş Somun ile cıvatalayın ve sabitleyin. Parçalar: 1 x Emniyet Kemerini, 2 x M8 16mm Cıvata, 2 x M8 55mm Cıvata, 4 x M8 Pul, 2 x M8 Flanş Somun.
- 21 - resme bakın. Ayarlanabilir Ayakları Pedal Çerçevesinin ve Koltuk Çerçevesinin altındaki dişi uçlarla hizalayın. Ayarlanabilir ayakları dişi eklere çevirerek yerine kilitleyin. Ayarlanabilir Ayağı yükseltmek için saat yönünün tersine çevirin. Parçalar: 6 x Ayarlanabilir Ayak.
- 22 - resme bakın. Flight Simulator kokpitiniz tamamlandı. Parçalar: NIL
- 23 - Resme bakın. OPSİYONEL DESTEK BRAKETİNİN TAKILMASI. Destek Braketindeki pivot noktasını Destek Braketi Montajındaki montaj delikleriyle hizalayın. 1 x M8 Cıvata, Pul, Namlu Ara Parçası ve Flanş Somunu ile cıvatalayın ve sabitleyin. Parçalar: 1 x Destek Braketi, 1 x Destek Braketi Montajı, 1 x M8 55mm Cıvata, 1 x Namlu Ara Parçası, 1 x M8 Pul, 1 x M8 Flanş Somunu.
- 24 - Resme bakın. A) Merkez İç Direği Merkez Dış Direğe sabitleyen Düğmeleri sökün ve Merkez Dış Direği çıkarın. B) HOTAS Dış Kutbu'nu Çapraz Üyeye sabitleyen 2 x M8 Flanş Somunları çıkarın. Parçalar: NIL.
- 25 - Resme bakın. Destek Braketindeki montaj deliklerini Çapraz Üye üzerindeki açık deliklerle hizalayın. Adım 24'te daha önce kaldırılan 2 x M8 Flanş Somunu ile sabitleyin. Parçalar: 2 x M8 Flanş Somunu.
- 26 - Resme bakın. A) Orta Dış Kutuptaki dişi ekleri Destek Braketindeki yuvalarla hizalayın. 2 x Düğme ile cıvatalayın. B) Merkez İç Direği Merkez Dış Direğe takın. Orta İç Kutuptaki dişi ekleri Orta Dış Kutuptaki yuva ile hizalayın. 2 x Topuz ile vidalayın ve sabitleyin. Parçalar: 1 x Merkez İç Direk, 4 x 15mm Düğmeler.
- 27 - Resme bakın. OPSİYONEL KLAVYE PLAKASI YANDAN MONTAJ. Klavye Kolundaki montaj yuvalarını Fare Plakasındaki deliklerle hizalayın. 2 x M6 Cıvata, Pul ve Flanş Somunları ile cıvatalayın ve sabitleyin. Parçalar: 1 x Klavye Kolu, 2 x M6 16mm Cıvata, 2 x M6 Pul, 2 x M6 Flanş Somun.
- 28 - Resme bakın. Klavye Plakasındaki montaj deliklerini Klavye Kolundaki açık deliklerle hizalayın. 2 x M8 Cıvata, Pul ve Flanş Somunları ile cıvatalayın ve sabitleyin. Parçalar: 1 x Klavye Plakası, 2 x M8 55mm Cıvata, 2 x M8 Pul, 2 x M8 Flanş Somun.
- 29 - Resme bakın. OPSİYONEL DÜZ YAN KOL. A) Yan Kolu sabitleyen 2 x M8 Cıvata, Pul ve Flanş Somunlarını çıkarın. Uçuş Plakasını Yan Koldan ayırın. B) Traversin bir tarafını Koltuk Çerçevesine sabitleyen 2 x M8 Cıvata, Pul ve Flanş Somununu çıkarın. Parçalar: NIL.
- 30 - Resme bakın. A) Düz Yan Kolu Koltuk Çerçevesindeki ve Çapraz Elemandaki açık deliklerle hizalayın. B) Adım 29'da çıkarılan 2 x M8 Cıvata, Pullar ve Flanş somunları ile cıvatalayın ve sabitleyin. Parçalar: 1 x Düz Yan Kol, 2 x M8 55mm Cıvata, 2 x M8 Pul, 2 x M8 Flanş Somun.
- 31 - Resme bakın. Fare Plakası Dişli Saplamalarını Düz Yan Koldaki montaj delikleriyle hizalayın. 4 x M8 Flanş Somunları ile sabitleyin. Parçalar: 4 x M8 Flanş Somunları.
- 32 - Resme bakın. PEDAL PLAKA AÇISI AYARI. Pedal Açılı Plakasını Pedal Çerçevesine sabitleyen ön Cıvataları, Kare Pulları ve Flanş Somunlarını sökün ve arka Cıvataları gevşetin. İstenilen açığa ayarlayın. Daha önce sökülmüş Cıvatalar, Kare Pullar ve Flanş Somunları ile cıvatalayın ve sabitleyin. Parçalar: NIL.
- 33 - Resme bakın. HOTAS DİREK YÜKSEKLİK AYARI. HOTAS İç Direğini HOTAS Dış Direğe sabitleyen Düğmeleri gevşetin. İsteddiğiniz yüksekliğe ayarlayın ve Yerlerine kilitlemek için Düğmeleri sıkın. Parçalar: NIL.
- 34 - Resme bakın. HOTAS DİREK AÇISI AYARI. HOTAS Plakasını HOTAS İç Kutbuna sabitleyen ön Cıvataları, Pulları ve Flanş Somunlarını sökün. İstenilen pozisyona açın. Daha önce çıkarılmış 1 x Cıvata, Pul ve Flanş Somunu ile cıvatalayın ve sabitleyin. Parçalar: NIL.
- 35 - Resme bakın. MERKEZ DİREK YÜKSEKLİK AYARI. İç Merkez Direği Dış Merkez Direğe sabitleyen Düğmeleri gevşetin. İç Merkez Direği istenilen yüksekliğe ayarlayın ve Yerlerine sabitlemek için Düğmeleri sıkın. Mükemmel bir uyum için çoklu dişi ekleri kullanın. Parçalar: NIL.
- 36 - Resme bakın. MERKEZ DİREK AÇISI AYARI. İç Merkez Direği Dış Merkez Direğe sabitleyen Düğmeleri gevşetin. İç Merkez Direği istenilen yüksekliğe ayarlayın ve Yerlerine sabitlemek için Düğmeleri sıkın. Mükemmel bir uyum için çoklu dişi ekleri kullanın. Parçalar: NIL.
- 37 - Resme bakın. TPR DÜMEN KURULUMU. 4 x M6 Dişli Saplamayı TPR Adaptörüne takın. Parçalar: 1 x TPR Adaptör, 4 x M6 20mm Dişli Saplama.
- 38 - Resme bakın. TPR Dümenin önündeki montaj deliklerini TPR Adaptöründeki Dişli Saplama ile hizalayın. 2 x M6 Flanş Somunu ile sabitleyin. TPR Dümenleri kokpite takılmaya hazır. Parçalar: 2 x M6 Flanş Somunu, 1 x TPR Dömen (dahil değildir).
- 39 - Resme bakın. BUTTKICKER DİREK MONTAJI. ButtKicker Direği üzerindeki montaj deliklerini Koltuk Altı altındaki dişi ek parçaları hizalayın. 2 x M8 Cıvata ve Pullarla cıvatalayın ve sabitleyin. Parçalar: 1 x ButtKicker Direği, 2 x M8 16mm Cıvata, 2 x M8 Pul.
- 40 - Resme bakın. MOUSE MAT KURULUMU. Fare Altlığını Uçuş Plakasının üzerine yerleştirin. Artık bir fare kullanılabılır. Mouse Mat, Mouse Plate'in üzerine de yerleştirilebilir. Parçalar: 1 x Fare Mat.
- 41 - Resme bakın. KLAVYE MAT KURULUMU. Klavye Altlığını Klavye Yerinin üzerine yerleştirin. Artık bir klavye kullanılabılır. Parçalar: 1 x Klavye Mat.

UYARI

- Montaj için lütfen elektrikli aletler kullanmayın çünkü aşırı sıkılmak çerçevenize zarar verebilir.
- Kokpit düz bir yüzeye yerleştirin ve inşa edin.
- Parçaları birbirine zorlamayın.
- Cıvatalara çapraz diş geçirmekten kaçının.
- Şüphelenirseniz, kurulum videosuna bakın.

YARDIM

Ürününüzle ilgili daha fazla desteğe ihtiyacınız varsa, lütfen şu adresten güler yüzlü ekibimize iletişime geçin: support@nextlevelracing.com

CZ

Návod k použití leteckého simulátoru

Víme, že toužíte začít závodit! Udělejte si čas s pokyny a podle tohoto průvodce sestavte svůj produkt. Budete se připravovat na úspěch, když budete postupovat podle návodu k plné optimalizaci svého produktu. Pro montážní video naskenujte QR kód. bit.ly/nlrbuild. Následuj nás. Naskenujte QR kód

PŘEDLETOVÉ KONTROLY

VAROVÁNÍ

- K montáži nepoužívejte elektrické nářadí, protože přílišné utažení může poškodit rám.
- Postavte a postavte kokpit na rovný povrch.
- Netlačte díly k sobě silou.
- Vyhněte se křížovým závitovým šroubům.
- V případě pochybností se podívejte na instalační video.

Pokud potřebujete jakoukoli podporu s vašim produktem, kontaktujte náš přátelský tým na adrese: support@nextlevelracing.com

VAROVÁNÍ NEBEZPEČÍ UDUŠENÍ

Malé části nejsou určeny dětem do 3 let nebo osobám, které mají tendenci vkládat si do úst nepoživatelné předměty.

START

- 01 - viz obrázek. A) Zarovnejte montážní otvory na úhlové desce pedálu se štěrbínami na rámu pedálu. B) Prošroubujte a zajistěte pomocí 4 šroubů M8, čtyřhranných podložek a přírubových matic. Části: 1 x rám pedálu, 1 x úhlová deska pedálu, 4 x šrouby M8 55 mm, 4 x čtvercové podložky, 4 x matice s přírubou M8.
- 02 - Viz obrázek. A) Zarovnejte montážní štěrbiny na pedálové desce se závitovými vložkami na úhlové desce pedálu. B) Prošroubujte a zajistěte pomocí 4 šroubů a podložek M8. Části: 1 x pedálová deska, 4 x šrouby M8 16 mm, 4 x podložky M8.
- 03 - Viz obrázek. A) Zarovnejte montážní otvory na rámech sedadel s montážními otvory a závitovými vložkami na rámu pedálu. B) V horní části rámu přišroubujte a zajistěte rámy sedadel pomocí 2 šroubů a podložek M8 15 mm. C) Prošroubujte střed rámu a zajistěte pomocí 2 x M8 55mm šroubů, podložek a přírubových matic. Části: 2 x rám sedadla, 2 x šrouby M8 55 mm, 2 x šrouby M8 16 mm, 4 x podložky M8, 2 x přírubové matice M8.
- 04 - Viz obrázek. Vyrovnějte závitové vložky na koncové desce s montážními otvory na rámu levého a pravého sedadla. Prošroubujte a zajistěte pomocí 4 šroubů a podložek M8. Části: 1 x koncová deska, 4 x šrouby M8 55 mm, 4 x podložky M8.
- 05 - Viz obrázek. Zarovnejte montážní otvory na bočních panelech s průchozími otvory na rámech sedadel. Prošroubujte a zajistěte pomocí 4 šroubů, podložek a přírubových matic M8. Části: 2 x boční panely, 4 x šrouby M8 55 mm, 4 x podložky M8, 4 x přírubové matice M8.
- 06 - Viz obrázek. A) Zarovnejte montážní otvory na příčném nosniku s průchozími otvory na rámu levého a pravého sedadla a bočních panelech. B) Prošroubujte a zajistěte pomocí 4 šroubů M8, podložek a přírubových matic. Části: 1 x příčný člen, 4 x šrouby M8 55 mm, 4 x podložky M8, 4 x matice s přírubou M8.
- 07 - Viz obrázek. A) Vytvořte tlak na základnu sedadla tělesnou hmotností. Jednou rukou zatáhněte za rukojeť sklápěčky a nastavte ji tak, aby byla sklápěčka kolmá ke spodní části sedadla. Opakujte na druhé straně. B) Odmontujte 4 šrouby s kopulovou hlavou, které jsou předem nainstalované na opěradle sedadla, a vyrovnějte závitové vložky na opěradle sedadla s montážními otvory na spodní části sedadla. C) Prošroubujte a zajistěte pomocí 4 šroubů s kopulovou hlavou M8, které byly dříve odinstalovány. Odstraňte varovné štítky na lehátkách. Části: 1 x Opěrka sedadla, 1 x Spodní část sedadla.
- 08 - Viz obrázek. A) Vytáhněte rukojeť posuvníku sedadla nahoru a nastavte sedadlo do polohy zcela vpřed. B) Zarovnejte montážní otvory na jezdčích sedadel s místy montáže sedadla (viz obrázek) na rámu levého a pravého sedadla. C) Vzadu prošroubujte a zajistěte 2 šrouby M8 se čtyřhranným hrdlem a přírubovými maticemi. Části: 2 x M8 16mm šrouby se čtvercovým krkem, 2 x M8 přírubové matice.
- 09 - Viz obrázek. A) Zatáhněte za rukojeť posuvníku sedadla a nastavte sedadlo do krajní zadní polohy. B) Vpředu prošroubujte a zajistěte 2 šrouby M8 se čtyřhranným hrdlem a přírubovými maticemi. Části: 2 x M8 16mm šrouby se čtvercovým krkem, 2 x M8 přírubové matice.
- 10 - Viz obrázek. A) Zarovnejte montážní štěrbiny na levém a pravém bočním rameni s průchozími otvory na rámu levého a pravého sedadla a bočních panelech. B) Prošroubujte a zajistěte pomocí 4 šroubů M8, podložek a přírubových matic. Části: 2 x boční ramena, 4 x šrouby M8 55 mm, 4 x podložky M8, 4 x přírubové matice M8.
- 11 - Viz obrázek. Povolte šrouby a nastavte boční ramena na požadovanou výšku a úhel. Utáhněte šrouby, aby zapadly na místo. Využijte prosím další průchozí otvory na rámech sedadel pro nastavení dozadu a dopředu. Části: NIL
- 12 - Viz obrázek. Zarovnejte závitové čepy na desce myši a desce unášče s montážními otvory na levém a pravém bočním rameni. Zajistěte pomocí 8 x M8 přírubových matic. POZNÁMKA: Desky jsou zaměnitelné a lze je namontovat tak, aby vyhovovaly levákům nebo pravákům. Části: 1 x Deska myši, 1 x Deska letu, 8 x M8 přírubové matice.
- 13 - Viz obrázek. VOLITELNÁ INSTALACE HOTAS. Zarovnejte montážní otvory na vnějším sloupu HOTAS s průchozími otvory na příčném nosniku. Prošroubujte a zajistěte pomocí 2 x M8 šroubů, podložek a přírubových matic. Části: 1 x vnější pól HOTAS, 2 x šrouby M8 55 mm, 2 x podložky M8, 2 x přírubové matice M8.
- 14 - Viz obrázek. Zarovnejte závitové vložky na vnitřním pólu HOTAS se štěrbínou na vnějším pólu HOTAS. Prošroubujte a zajistěte 2 x knoflíky. Části: 1 x HOTAS vnitřní tyč, 2 x 15mm knoflíky.
- 15 - Viz obrázek. Zarovnejte montážní otvory na desce HOTAS s průchozími otvory na vnitřní tyči HOTAS. Prošroubujte a zajistěte pomocí 3 x M8 šroubů, podložek a přírubových matic. Části: 1 x HOTAS deska, 3 x M8 55mm šrouby, 3 x M8 16mm podložky, 3 x M8 přírubové matice.
- 16 - Viz obrázek. A) Zarovnejte montážní otvory na středním vnějším sloupku s otvory na rámu pedálu. B) Vyrovnějte rozpěrku hlavně s otvory na střední vnější tyči. Prošroubujte a zajistěte pomocí 2 x M8 šroubů, podložek a přírubových matic. Části: 1 x Vnější středový pól, 2 x šrouby M8 55 mm, 2 x Podložky M8, 2 x Přírubové matice M8, 1 x Rozpěrka hlavně.17a - Viz obrázek. Jemně umístěte středovou tyč na horní část rámu pedálu a ujistěte se, že je západka dole.
- 17b - Viz obrázek. Zahákněte U-šroub do zajišťovacího jazyčku na rámu pedálu.
- 17c - Viz obrázek. Ujistěte se, že U šroub správně sedí v zajišťovacím jazyčku a zatáhněte za západku, dokud nebude pevně utažena.
- 17d - viz obrázek. Pro pevnější zámek uvolněte západku, nastavte matice v horní části západky a znovu ji zavřete.
- 18 - Viz obrázek. Nainstalujte 1 x plstěnou podložku na horní část střední vnitřní tyče. Zarovnejte závitové vložky na středním vnitřním pólu se štěrbínami na středním vnějším pólu. Prošroubujte a zajistěte 2 x knoflíky. POZNÁMKA: Pokud používáte tměny vyšší třídy, nainstalujte volitelnou podpěrnou konzolu (krok 23 - 26). Části: 1 x středová vnitřní tyč, 2 x 15mm knoflíky, 1 x plstěná podložka.
- 19a - Viz obrázek. INSTALACE STŘEDOVÉ DESKY. Zarovnejte montážní otvory na středové tměnové desce s průchozími otvory na středové vnitřní tyči. Prošroubujte a zajistěte pomocí 3 x M8 60mm šroubů, podložek a přírubových matic. Části: 1 x středová deska tměnu, 3 x šrouby M8 60 mm, 3 x podložky M8 16 mm, 3 x přírubové matice M8.
- 19b - Viz obrázek. VOLITELNÁ INSTALACE PLÁZOVÉHO ADAPTERU ŽELVY (pokračujte od 19a). A) Zašroubujte 2 šrouby M6 do otvorů se závitem nejvíce vzadu na středové desce tměnu. B) Zarovnejte montážní otvory na desce adaptéru Turtle Beach se závitovými kolíky a zajistěte je pomocí 2 přírubových matic M6. Části: 1 x Turtle Beach adaptérová deska, 2 x M6 20mm závitové kolíky, 2 x M6 přírubové matice.



support@nextlevelracing.com



Video Instruction: bit.ly/nlrbuild

- 19c - Viz obrázek. INSTALACE BOEING YOKE/CLAMP PLATE. A) Umístěte upínací desku na horní část středního vnitřního pólu. B) Posuňte upínací desku dopředu a zarovnejte montážní otvory na středním vnitřním pólu a upínací desce. C) Prošroubujte a zajistěte pomocí 2 x M8 šroubů, podložek a přírubových matic. Části: 1 x upínací deska, 2 x šrouby M8 55 mm, 2 x podložky M8, 2 x přírubové matice M8
- 19d - viz obrázek. INSTALACE STŘEDOVÉ DESKY S KLÁVESNICE. Zarovnejte montážní otvory a štěrbiny na desce klávesnice s průchozími otvory na středním vnitřním pólu. Prošroubujte a zajistěte pomocí 2 x M8 šroubů, podložek a přírubových matic. Části: 1 x deska klávesnice, 2 x šrouby M8 55 mm, 2 x podložky M8, 2 x přírubové matice M8.
- 20 - Viz obrázek. Protáhněte bezpečnostní pás očky na opěradle sedadla. Zarovnejte montážní otvory na každé montážní desce bezpečnostních pásů s průchozími otvory na rámech sedadel a závitovými vložkami na spodní straně dna sedadla. Prošroubujte a zajistěte pomocí 4 x M8 šroubů, podložek a 2 x M8 přírubových matic. Části: 1 x bezpečnostní pás, 2 x šrouby M8 16 mm, 2 x šrouby M8 55 mm, 4 x podložky M8, 2 x matice příruba M8.
- 21 - Viz obrázek. Vyrovnajte nastavitelné nožičky se závitovými vložkami na spodní straně rámu pedálu a rámu sedadla. Zajistěte na místě otočením nastavitelných nožiček do závitových vložek. Chcete-li zvednout nastavitelnou nohu, otočte proti směru hodinových ručiček. Části: 6 x Nastavitelné nožičky.
- 22 - Viz obrázek. Váš kokpit Flight Simulatoru je kompletní. Části: NIL
- 23 - Viz obrázek. VOLITELNÁ INSTALACE PODPŮRNÝCH DRŽÁKŮ. Zarovnejte otčný bod na podpěrném držáku s montážními otvory na držáku podpěrného držáku. Prošroubujte a zajistěte 1 šroubem M8, podložkou, rozpěrkou hlavně a přírubovou maticí. Části: 1 x Nosná konzola, 1 x Nosná konzola, 1 x M8 55mm šrouby, 1 x Barrel Spacer, 1 x M8 Podložka, 1 x M8 přírubová matice.
- 24 - Viz obrázek. A) Odinstalujte knoflíky zajišťující střední vnitřní pól ke střednímu vnějšímu pólu a odstraňte střední vnější pól. B) Odmontujte 2 x M8 přírubové matice zajišťující vnější pól HOTAS k příčnému členu. Části: NIL.
- 25 - Viz obrázek. Zarovnejte montážní otvory na podpěrné konzole s průchozími otvory na příčném nosniku. Zajistěte pomocí 2 x M8 přírubových matic, které jste předtím odinstalovali v kroku 24. Díly: 2 x M8 přírubové matice.
- 26 - Viz obrázek. A) Zarovnejte závitové vložky na středním vnějším pólu se štěrbínami na podpěrné konzole. Přišroubujte 2 x knoflíky. B) Nasadte střední vnitřní tyč do střední vnější tyče. Zarovnejte závitové vložky na středním vnitřním pólu se štěrbínou ve středním vnějším pólu. Prošroubujte a zajistěte 2 x knoflíky. Části: 1 x středová vnitřní tyč, 4 x 15mm knoflíky.
- 27 - Viz obrázek. VOLITELNÉ BOČNÍ UPEVNĚNÍ NA DESKU KLÁVESNICE. Zarovnejte montážní otvory na rameni klávesnice s otvory na desce myši. Prošroubujte a zajistěte pomocí 2 x M6 šroubů, podložek a přírubových matic. Části: 1 x rameno klávesnice, 2 x šrouby M6 16 mm, 2 x podložky M6, 2 x matice s přírubou M6.
- 28 - Viz obrázek. Zarovnejte montážní otvory na desce klávesnice s průchozími otvory na rameni klávesnice. Prošroubujte a zajistěte pomocí 2 x M8 šroubů, podložek a přírubových matic. Části: 1 x deska klávesnice, 2 x šrouby M8 55 mm, 2 x podložky M8, 2 x přírubové matice M8.
- 29 - Viz obrázek. VOLITELNÉ PŘÍMÉ BOČNÍ RAMENO. A) Odmontujte 2 x M8 šrouby, podložky a přírubové matice zajišťující boční rameno. Oddělte letovou desku od bočního ramene. B) Odmontujte 2 x M8 šrouby, podložky a přírubové matice zajišťující jednu stranu příčného nosníku k rámu sedadla. Části: NIL.
- 30 - Viz obrázek. A) Zarovnejte rovné boční rameno s průchozími otvory v rámu sedadla a příčným nosníku. B) Prošroubujte a zajistěte pomocí 2 x M8 šroubů, podložek a přírubových matic odinstalovaných v kroku 29. Díly: 1 x rovné boční rameno, 2 x M8 55mm šrouby, 2 x M8 podložky, 2 x M8 přírubové matice.
- 31 - Viz obrázek. Zarovnejte závitové čepy desky myši s montážními otvory na rovném bočním rameni. Zajistěte pomocí 4 přírubových matic M8. Díly: 4 x M8 přírubové matice.
- 32 - Viz obrázek. NASTAVENÍ ÚHLU PEDÁLNÍ DESKY. Odmontujte přední šrouby, čtvercové podložky a přírubové matice zajišťující úhel pedálu k rámu pedálu a povolte zadní šrouby. Nastavte požadovaný úhel. Prošroubujte a zajistěte pomocí dřve odinstalovaných šroubů, čtvercových podložek a přírubových matic. Části: NIL.
- 33 - Viz obrázek. NASTAVENÍ VÝŠKY POLOŽE HOTAS. Uvolněte knoflíky zajišťující vnitřní tyč HOTAS k vnější tyči HOTAS. Nastavte na požadovanou výšku a utáhněte knoflíky, aby zapadly na místo. Části: NIL
- 34 - Viz obrázek. NASTAVENÍ ÚHLU PÓLU HOTAS. Odmontujte přední šrouby, podložky a přírubové matice zajišťující desku HOTAS k vnitřnímu pólu HOTAS. Natočte do požadované polohy. Prošroubujte a zajistěte 1 x šroub, podložku a přírubovou maticí, které byly předtím odinstalovány. Části: NIL.
- 35 - Viz obrázek. NASTAVENÍ VÝŠKY STŘEDOVÉ POLOŽE. Uvolněte knoflíky zajišťující vnitřní středovou tyč k vnější středové tyči. Nastavte vnitřní středovou tyč na požadovanou výšku a utáhněte knoflíky, aby byla zajištěna na místě. Pro dokonalé uchycení využijte vícenásobné závitové vložky. Části: NIL.
- 36 - Viz obrázek. NASTAVENÍ ÚHLU STŘEDOVÉHO PÓLU. Uvolněte knoflíky zajišťující vnitřní středovou tyč k vnější středové tyči. Nastavte vnitřní středovou tyč na požadovanou výšku a utáhněte knoflíky, aby byla zajištěna na místě. Pro dokonalé uchycení využijte vícenásobné závitové vložky. Části: NIL.
- 37 - Viz obrázek. INSTALACE KORMIDEL TPR. Nainstalujte 4 šrouby se závětem M6 do adaptéru TPR. Části: 1 x TPR adaptér, 4 x M6 20mm závitové kolíky.
- 38 - Viz obrázek. Zarovnejte montážní otvory na přední straně kormidla TPR se závitovým kolíkem na adaptéru TPR. Zajistěte pomocí 2 x M6 přírubových matic. Kormidla TPR jsou připravena k instalaci do kokpitu. Díly: 2 x M6 přírubové matice, 1 x TPR směrovka (není součástí dodávky).
- 39 - Viz obrázek. INSTALACE TYČOVÉHO TYČE. Vyrovnajte montážní otvory na tyči Buttckicker se závitovými vložkami pod dnem sedadla. Prošroubujte a zajistěte pomocí 2 x M8 šroubů a podložek. Části: 1 x tyč Buttckicker, 2 x šrouby M8 16 mm, 2 x podložky M8.
- 40 - Viz obrázek. INSTALACE PODLOŽKY PRO MÝŠ. Umístěte podložku pod myš na horní část letové desky. Nyní lze použít myš. Podložku pod myš lze také umístit na desku pod myš. Části: 1 x podložka pod myš.
- 41 - Viz obrázek. INSTALACE PODLOŽKY NA KLÁVESNICE. Umístěte podložku s klávesnicí na místo klávesnice. Nyní lze použít klávesnici. Součásti: 1 x Klávesnice Mat.

VAROVÁNÍ

- K montáži nepoužívejte elektrické nářadí, protože přílišné utažení může poškodit rám.
- Postavte a postavte kokpit na rovný povrch.
- Netlačte díly k sobě silou.
- Vyhnete se křivým závitovým šroubům.
- V případě pochybností se podívejte na instalační video.

POMOC

Pokud potřebujete další podporu s vaším produktem, kontaktujte náš přátelský tým na adrese: support@nextlevelracing.com

PL

Instrukcja obsługi symulatora lotu

Wiemy, że chcesz zacząć się ścigać! Nie spiesz się z instrukcjami i postępuj zgodnie z tym przewodnikiem, aby złożyć swój produkt. Postępuj zgodnie z instrukcją obsługi, aby w pełni zoptymalizować swój produkt. Aby obejrzeć montaż, zeskanuj kod QR. bit.ly/nlrbuild. Podążaj za nami. Skanowania QR code

KONTROLE PRZED LOTEM

OSTRZEŻENIE

- Do montażu nie należy używać elektronarzędzi, ponieważ zbyt mocne dokręcenie może uszkodzić ramę.
- Rozłoż i zbuduj kokpit na równej powierzchni.
- Nie ścisnąć części na siłę.
- Unikaj wkretów z gwintem krzyżowym.
- W razie wątpliwości zapoznaj się z filmem instalacyjnym.

Jeśli potrzebujesz wsparcia ze swoim produktem, skontaktuj się z naszym przyjaznym zespołem pod adresem: support@nextlevelracing.com

OSTRZEŻENIE NIEBEZPIECZEŃSTWO ZADLAWIANIA SIĘ

Małe części nie dla dzieci poniżej 3 roku życia lub osób, które mają tendencję do wkładania do ust niejadalnych przedmiotów.

POCZĄTEK

- 01 – Zobacz obrazek. A) Dopasuj otwory montażowe w płytce kątownej pedału do otworów w ramie pedala. B) Przykręć i zabezpiecz za pomocą 4 śrub M8, podkładek kwadratowych i nakrętek kołnierзовych. Części: 1 x rama pedala, 1 x płyta kątowna pedala, 4 x śruby M8 55 mm, 4 x podkładki kwadratowe, 4 x nakrętki kołnierзовe M8.
- 02 - Patrz obraz. A) Dopasuj szczeliny montażowe na płytce pedala do gwintowanych wkładek na płytce kątownej pedala. B) Przykręć i zabezpiecz za pomocą 4 śrub M8 i podkładek. Części: 1 x płyta pedala, 4 x śruby M8 16mm, 4 x podkładki M8.
- 03 - Patrz obraz. A) Wyrównaj otwory montażowe w ramach siedziska z otworami montażowymi i gwintowanymi wkładkami w ramie pedałów. B) W górnej części ramy przykręć i zabezpiecz ramy siedziska za pomocą 2 śrub M8 15 mm z podkładkami. C) Przykręć przez środek ramy i zabezpiecz 2 x M8 55mm śrubami, podkładkami i nakrętkami kołnierзовymi. Części: 2 x ramy siedziska, 2 x śruby M8 55 mm, 2 x śruby M8 16 mm, 4 x podkładki M8, 2 x nakrętki kołnierзовe M8.
- 04 - Patrz obraz. Dopasuj gwintowane wkładki na płycie końcowej do otworów montażowych w lewej i prawej ramie siedziska. Przykręć i zabezpiecz za pomocą 4 śrub i podkładek M8. Części: 1 x płyta końcowa, 4 x śruby M8 55 mm, 4 x podkładki M8.
- 05 - Patrz zdjęcie. Wyrównaj otwory montażowe w panelach bocznych z otworami przelotowymi w ramach siedzeń. Przykręć i zabezpiecz za pomocą 4 śrub M8, podkładek i nakrętek kołnierзовych. Części: 2 x panele boczne, 4 x śruby M8 55 mm, 4 x podkładki M8, 4 x nakrętki kołnierзовe M8.
- 06 - Patrz zdjęcie. A) Wyrównaj otwory montażowe w belce poprzecznej z otworami przelotowymi w lewej i prawej ramie siedzenia i panelach bocznych. B) Przykręć i zabezpiecz za pomocą 4 śrub M8, podkładek i nakrętek kołnierзовych. Części: 1 x poprzecznica, 4 x śruby M8 55 mm, 4 x podkładki M8, 4 x nakrętki kołnierзовe M8.
- 07 - Patrz zdjęcie. A) Docisnij podstawę siedziska ciężarem ciała. Jedną ręką pociągnij uchwyt fotela i wyreguluj go tak, aby fotel był prostopadły do dna siedziska. Powtórz z drugiej strony. B) Odkręć 4 śruby z ibem kopułowym, które są wstępnie zainstalowane na oparciu siedziska i dopasuj gwintowane wkładki na oparciu siedziska do otworów montażowych w podstawie siedziska. C) Przykręć i zabezpiecz za pomocą 4 śrub M8 z ibem kopułowym, które zostały wcześniej zdemontowane. Usunij etykiety ostrzegawcze z foteli rozkładanych. Części: 1 x oparcie siedzenia, 1 x spód siedzenia.
- 08 - Patrz zdjęcie. A) Pociągnij uchwyt suwaka siedziska do góry i ustaw siedzisko w najbardziej wysuniętej do przodu pozycji. B) Dopasuj otwory montażowe na suwakach siedzeń do miejsc mocowania siedzeń (patrz ilustracja) na lewej i prawej ramie siedzenia. C) Z tyłu przykręć i zabezpiecz za pomocą 2 śrub z kwadratową szyjką M8 i nakrętek kołnierзовych. Części: 2 x śruby M8 16mm z kwadratową szyjką, 2 x nakrętki kołnierзовe M8.
- 09 - Patrz zdjęcie. A) Pociągnij uchwyt suwaka siedziska i ustaw siedzisko w skrajnej tylnej pozycji. B) Z przodu przykręć i zabezpiecz za pomocą 2 śrub z szyjką kwadratową M8 i nakrętek kołnierзовych. Części: 2 x śruby M8 16mm z kwadratową szyjką, 2 x nakrętki kołnierзовe M8.
- 10 - Patrz obraz. A) Wyrównaj szczeliny montażowe na lewym i prawym podłokietniku z otworami przelotowymi w lewej i prawej ramie siedzenia i panelach bocznych. B) Przykręć i zabezpiecz za pomocą 4 śrub M8, podkładek i nakrętek kołnierзовych. Części: 2 x ramiona boczne, 4 x śruby M8 55 mm, 4 x podkładki M8, 4 x nakrętki kołnierзовe M8.
- 11 - Patrz obraz. Poluzuj śruby, aby dostosować ramiona boczne do żądanej wysokości i kąta. Dokręć śruby, aby zablokować się na miejscu. Proszę wykorzystać dodatkowe otwory przelotowe w ramach siedziska do regulacji do tyłu i do przodu. Części: NIL
- 12 - Patrz obraz. Dopasuj gwintowane kolki na płycie myszy i płycie lotu z otworami montażowymi na lewym i prawym ramieniu. Zabezpiecz za pomocą 8 nakrętek kołnierзовych M8. UWAGA: Płyty są wymienne i można je zamontować w celu dostosowania do potrzeb użytkowników leworęcznych lub praworęcznych. Części: 1 x podkładka pod mysz, 1 x płyta lotnicza, 8 x nakrętki kołnierзовe M8.
- 13 - Patrz obraz. OPCJONALNA INSTALACJA HOTAS. Dopasuj otwory montażowe na drążku zewnętrznym HOTAS do otworów przelotowych w elemencie poprzecznym. Przykręć i zabezpiecz za pomocą 2 śrub M8, podkładek i nakrętek kołnierзовych. Części: 1 x drążek zewnętrzny HOTAS, 2 x śruby M8 55 mm, 2 x podkładki M8, 2 x nakrętki kołnierзовe M8.
- 14 - Patrz zdjęcie. Dopasuj gwintowane wkładki na wewnętrznym drążku HOTAS do szczeliny na zewnętrznym drążku HOTAS. Przykręć i zabezpiecz 2 x gałkami. Części: 1 x słupek wewnętrzny HOTAS, 2 x 15 mm gałki.
- 15 - Patrz obraz. Wyrównaj otwory montażowe w płycie HOTAS z otworami przelotowymi na słupie wewnętrznym HOTAS. Przykręć i zabezpiecz za pomocą 3 śrub M8, podkładek i nakrętek kołnierзовych. Części: 1 x płyta HOTAS, 3 x śruby M8 55 mm, 3 x podkładki M8 16 mm, 3 x nakrętki kołnierзовe M8.
- 16 - Patrz obraz. A) Dopasuj otwory montażowe na środkowym drążku zewnętrznym do otworów w ramie pedala. B) Dopasuj rozpórkę lufy do otworów w środkowym biegunie zewnętrznym. Przykręć i zabezpiecz za pomocą 2 śrub M8, podkładek i nakrętek kołnierзовych. Części: 1 x środkowy drążek zewnętrzny, 2 x śruby M8 55 mm, 2 x podkładki M8, 2 x nakrętki kołnierзовe M8, 1 x przekładka lufy.17a — patrz rysunek. Delikatnie umieść drążek centralny na ramie pedala i upewnij się, że zatrzask jest opuszczony.
- 17b - Patrz rysunek. Zaczep śrubę w kształcie litery U w zaczepie blokującym na ramie pedala.
- 17c - Patrz rysunek. Upewnij się, że śruba U jest prawidłowo osadzona w zaczepie blokującym i pociągnij zatrzask do oporu.
- 17d - Patrz zdjęcie. Aby mocniej zablokować, odkręć zatrzask, wyreguluj nakrętki na górze zatrzasku i ponownie go zamknij.
- 18 - Patrz zdjęcie. Zainstaluj 1 x podkładka filcowa na górze środkowego bieguna wewnętrznego. Dopasuj gwintowane wkładki na środkowym biegunie wewnętrznym do otworów na środkowym biegunie wewnętrznym. Przykręć i zabezpiecz 2 x gałkami. UWAGA: Jeśli używane są wysokiej klasy jarzma, zainstaluj opcjonalny wspornik podtrzymujący (kroki 23 - 26). Części: 1 x środkowy słup wewnętrzny, 2 x 15 mm gałki, 1 x podkładka filcowa.
- 19a - Patrz zdjęcie. MONTAŻ PŁYTY ŚRODKOWEJ JARZMA. Wyrównaj otwory montażowe w środkowej płycie jarzma z otworami przelotowymi w środkowym drążku wewnętrznym. Przykręć i zabezpiecz za pomocą 3 śrub M8 60 mm, podkładek i nakrętek kołnierзовych. Części: 1 x środkowa płyta jarzma, 3 x śruby M8 60 mm, 3 x podkładki M8 16 mm, 3 x nakrętki kołnierзовe M8.
- 19b - Patrz zdjęcie. INSTALACJA OPCJONALNEGO ADAPTERA TURTLE BEACH (Kontynuuj od 19a). A) Przykręć przez 2 x kolki M6 do najbardziej tylnych gwintowanych otworów w środkowej płycie jarzma. B) Dopasuj otwory montażowe w płycie adaptera Turtle Beach do gwintowanych kołków, zabezpiecz 2 x nakrętkami kołnierзовymi M6. Części: 1 x płytka adaptera Turtle Beach, 2 x kolki gwintowane M6 20 mm, 2 x nakrętki kołnierзовe M6.



support@nextlevelracing.com

19c - Patrz rysunek. INSTALACJA JARZMA BOEING/PLYTY ZACISKOWEJ. A) Umieść płytkę zaciskową na szczycie środkowego drążka wewnętrznego. B) Przesuń płytkę zaciskową do przodu i wyrównaj otwory montażowe na środkowym drążku wewnętrznym i płytce zaciskowej. C) Przykręć i zabezpiecz za pomocą 2 śrub M8, podkładek i nakrętek kołnierzych. Części: 1 x płyta zaciskowa, 2 x śruby M8 55 mm, 2 x podkładki M8, 2 x nakrętki kołnierzowe M8

19d - Patrz zdjęcie. INSTALACJA CENTRALNEJ PŁYTKI KŁAWIATURY. Dopasuj otwory montażowe i szczeliny w płycie klawiatury do otworów przelotowych na środkowym słupku wewnętrznym. Przykręć i zabezpiecz za pomocą 2 śrub M8, podkładek i nakrętek kołnierzych. Części: 1 x płyta klawiatury, 2 x śruby M8 55 mm, 2 x podkładki M8, 2 x nakrętki kołnierzowe M8.

20 - Patrz zdjęcie. Przeciągnij pas bezpieczeństwa przez oczka w oparciu fotela. Dopasuj otwory montażowe w każdej płycie montażowej pasa bezpieczeństwa do otworów przelotowych w ramach fotela i gwintowanych wkładek na spodzie dna fotela. Przykręć i zabezpiecz za pomocą 4 śrub M8, podkładek i 2 nakrętek kołnierzych M8. Części: 1 x pas bezpieczeństwa, 2 x śruby M8 16mm, 2 x śruby M8 55mm, 4 x podkładki M8, 2 x nakrętki kołnierzowe M8.

21 - Patrz obraz. Dopasuj regulowane nożki do gwintowanych wkładek na spodzie ramy pedału i ramy siedziska. Zablokuj, wkręcając regulowane nożki we wkładki gwintowane. Aby podnieść regulowaną stopkę, przekręć w kierunku przeciwnym do ruchu wskazówek zegara. Części: 6 x regulowane nożki.

22 - Patrz obraz. Twój kokpit Flight Simulator jest gotowy. Części: NIL

23 - Patrz zdjęcie. MONTAŻ OPCJONALNEGO WSPORNKA WSPORNKA. Dopasuj punkt obrotu wspornika pomocniczego do otworów montażowych w uchwycie wspornika pomocniczego. Przykręć i zabezpiecz za pomocą 1 śruby M8, podkładki, przekładki lufy i nakrętki kołnierzowej. Części: 1 x wspornik pomocniczy, 1 x wspornik wspornika montażowego, 1 x śruby M8 55 mm, 1 x tuleja dystansowa, 1 x podkładka M8, 1 x nakrętka kołnierzowa M8.

24 - Patrz obraz. A) Odinstaluj pokrętła mocujące środkowy drążek wewnętrzny do środkowego drążka zewnętrznego i wyjmij środkowy drążek zewnętrzny. B) Odkręć 2 nakrętki kołnierzowe M8 mocujące drążek zewnętrzny HOTAS do poprzecznic. Części: NIL.

25 - Patrz obraz. Wyrównaj otwory montażowe we wsporniku pomocniczym z otworami przelotowymi w elemencie poprzecznym. Zabezpiecz za pomocą 2 nakrętek kołnierzych M8, które zostały wcześniej zdemontowane w kroku 24. Części: 2 nakrętki kołnierzowe M8.

26 - Patrz zdjęcie. A) Dopasuj gwintowane wkładki na środkowym drążku zewnętrznym do otworów we wsporniku pomocniczym. Przykręć za pomocą 2 x Pokrętła. B) Dopasuj środkowy drążek wewnętrzny do środkowego drążka zewnętrznego. Dopasuj gwintowane wkładki na środkowym biegunie wewnętrznym do szczeliny w środkowym biegunie zewnętrznym. Przykręć i zabezpiecz 2 x gałkami. Części: 1 x środkowy słup wewnętrzny, 4 x 15mm gałki.

27 - Patrz zdjęcie. OPCJONALNE MONTAŻ Z BOKU PŁYTKI KŁAWIATURY. Dopasuj szczeliny montażowe w ramieniu klawiatury do otworów w płycie myszy. Przykręć i zabezpiecz za pomocą 2 śrub M6, podkładek i nakrętek kołnierzych. Części: 1 x ramię klawiatury, 2 x śruby M6 16mm, 2 x podkładki M6, 2 x nakrętki kołnierzowe M6.

28 - Zobacz zdjęcie. Dopasuj otwory montażowe w płycie klawiatury do otworów przelotowych w ramieniu klawiatury. Przykręć i zabezpiecz za pomocą 2 śrub M8, podkładek i nakrętek kołnierzych. Części: 1 x płyta klawiatury, 2 x śruby M8 55 mm, 2 x podkładki M8, 2 x nakrętki kołnierzowe M8.

29 - Zobacz zdjęcie. OPCJONALNE PROSTE RAMIĘ BOCZNE. A) Odkręć 2 śruby M8, podkładki i nakrętki kołnierzowe mocujące ramię boczne. Odłącz platformę lotu od ramienia bocznego. B) Odkręć 2 śruby M8, podkładki i nakrętki kołnierzowe mocujące jedną stronę poprzecznic do ramy siedziska. Części: NIL.

30 - Zobacz obrazek. A) Wyrównaj proste ramię boczne z otworami przelotowymi w ramie siedziska i poprzecznic. B) Przykręć i zabezpiecz 2 x śrubami M8, podkładkami i nakrętkami kołnierzowymi zdemontowanymi w kroku 29. Części: 1 x proste ramię boczne, 2 x śruby M8 55 mm, 2 x podkładki M8, 2 x nakrętki kołnierzowe M8.

31 - Patrz zdjęcie. Dopasuj gwintowane kołki mocujące płytki myszy do otworów montażowych na prostym ramieniu bocznym. Zabezpiecz za pomocą 4 nakrętek kołnierzych M8. Części: 4 x nakrętki kołnierzowe M8.

32 - Zobacz zdjęcie. REGULACJA KĄTA PŁYTKI NA PEDAŁ. Odkręć przednie śruby, kwadratowe podkładki i nakrętki kołnierzowe mocujące płytkę kątową pedału do ramy pedału i poluzuj tylnie śruby. Dostosuj dożądanego kąta. Przykręć i zabezpiecz za pomocą wcześniej zdemontowanych śrub, podkładek kwadratowych i nakrętek kołnierzych. Części: NIL.

33 - Zobacz zdjęcie. REGULACJA WYSOKOŚCI SŁUPKA HOTAS. Poluzuj pokrętła mocujące wewnętrzny biegun HOTAS do zewnętrznego bieguna HOTAS. Dostosuj dożądanego wysokości i dokręć pokrętła, aby zablokować na miejscu. Części: NIL

34 - Zobacz zdjęcie. REGULACJA KĄTA SŁUPKA HOTAS. Odkręć przednie śruby, podkładki i nakrętki kołnierzowe mocujące płytę HOTAS do słupka wewnętrznego HOTAS. Kąt dożądanego pozycji. Przykręć i zabezpiecz 1 x śrubą, podkładką i nakrętką kołnierzową, które zostały wcześniej zdemontowane. Części: NIL.

35 - Zobacz zdjęcie. REGULACJA WYSOKOŚCI SŁUPKA CENTRALNEGO. Poluzuj pokrętła mocujące wewnętrzny drążek środkowy do zewnętrznego drążka środkowego. Ustaw wewnętrzny słupek środkowy nażądanego wysokości i dokręć pokrętła, aby zamocować na miejscu. Wykorzystaj wiele wkładek gwintowanych, aby uzyskać idealne dopasowanie. Części: NIL.

36 - Zobacz zdjęcie. REGULACJA KĄTA SŁUPKA CENTRALNEGO. Poluzuj pokrętła mocujące wewnętrzny drążek środkowy do zewnętrznego drążka środkowego. Ustaw wewnętrzny słupek środkowy nażądanego wysokości i dokręć pokrętła, aby zamocować na miejscu. Wykorzystaj wiele wkładek gwintowanych, aby uzyskać idealne dopasowanie. Części: NIL.

37 - Zobacz zdjęcie. MONTAŻ STERU TPR. Zainstaluj 4 x kołki gwintowane M6 w adapterze TPR. Części: 1 x adapter TPR, 4 x kołki gwintowane M6 20 mm.

38 - Zobacz zdjęcie. Dopasuj otwory montażowe z przodu steru TPR do kołka gwintowanego na adapterze TPR. Zabezpiecz za pomocą 2 nakrętek kołnierzych M6. Stery TPR są gotowe do zainstalowania w kokpicie.

Części: 2 x nakrętki kołnierzowe M6, 1 x ster TPR (brak w zestawie).

39 - Zobacz zdjęcie. INSTALACJA SŁUPKA. Dopasuj otwory montażowe na ButtKicker Pole z gwintowanymi wkładkami pod spodem siedziska. Przykręć i zabezpiecz 2 x śrubami M8 i podkładkami. Części: 1 x Tył buttKocker, 2 x śruby M8 16mm, 2 x podkładki M8.

40 - Zobacz zdjęcie. ZAINSTALUJ PODKŁADKĘ POD MYSZ. Umieść podkładkę pod mysz na górze płyty lotu. Można teraz używać myszy. Podkładkę pod mysz można również umieścić na górze podkładki pod mysz. Części: 1 x podkładka pod mysz.

41 - Zobacz zdjęcie. INSTALACJA MAT KŁAWIATURY. Umieść podkładkę pod klawiaturę na górze miejsca na klawiaturę. Można teraz używać klawiatury. Części: 1 x podkładka pod klawiaturę.

OSTRZEŻENIE

• Do montażu nie należy używać elektronarzędzi, ponieważ zbyt mocne dokręcenie może uszkodzić ramię.

• Rozłóż i zbuduj kokpit na równej powierzchni.

• Nie ściskaj części na siłę.

• Unikaj wkrętów z gwintem krzyżowym.

• W razie wątpliwości zapoznaj się z filmem instalacyjnym.

WSPARCIE

Jeśli potrzebujesz dalszego wsparcia ze swoim produktem, skontaktuj się z naszym przyjaznym zespołem pod adresem: support@nextlevelracing.com



Video Instruction: bit.ly/nlrbuild

AR

Dليل تعليمات Flight Simulator

نحن نعلم أنك حريص على بدء السباق!خذ وقتك مع التعليمات واتبع هذا الدليل لتجميع منتجك. ستقوم بإعداد نفسك للنجاح بإتباع كتيب التعليمات لتحسين منتجك بالكامل. لتجميع الفيديو ، امسح رمز الاستجابة السريعة. bit.ly/nlrbuild. تابعنا. مسح ضوئي لرمز الاستجابة السريعة

فحوصات ما قبل الرحلة

تحذير

• يرجى عدم استخدام الأدوات الكهربائية للتجميع حيث يمكن أن يؤدي التشديد الزائد إلى إتلاف إبطارك.

• ضع وقمر بناء قمرة القيادة على سطح مستو.

• لا تجبر الأجزاء مقلًا.

• تجنب البراغى المتقاطعة.

• إذا كنت في شك ، استشر فيديو التثبيت.

إذا كنت بحاجة إلى أي دعم مع منتجك ، فيرجى الاتصال برفيقنا الدودود على: support@nextlevelracing.com

تحذير خطر الاختناق

أجزاء صغيرة ليست للأطفال دون سن 3 سنوات أو أي أفراد يميلون إلى وضع أشياء غير صالحة للأكل في أفواههم.

START

01 - الرجوع إلى الصورة أ) قرر بمحاذاة فتحات التركيب على لوحة زاوية الدواسة مع الفتحات الموجودة على إطار الدواسة. ب) اربطها وثبت بإحكام باستخدام مسامير 4 × M8 وغسالات مربعة وصواميل شفة. الأجزاء: 1 × إطار دواسة ، 1 × لوحة زاوية دواسة ، 4 × مسامير M8 55 مم ، 4 × غسالات مربعة ، 4 × صواميل شفة M8.

02 - الرجوع إلى الصورة أ) قرر بمحاذاة فتحات التركيب على لوحة زاوية الدواسة. ب) اربطها وثابت بإحكام باستخدام 4 براغي وغسالات M8. الأجزاء: 1 × لوحة دواسة ، 4 × مسامير 16 مم ، 4 × M8 غسالات M8.

03 - الرجوع إلى الصورة أ) قرر بمحاذاة فتحات التركيب الموجودة على إطارات المقاعد مع فتحات التركيب والإدخالات الملولبة على إطار الدواسة. ب) في الجزء العلوي من الإطار ، اربط إطارات المقعد وثبتها بمسامير وغسالات مقاس 2 × M8 مقاس 15 مم. ج) اربط من خلال مركز الإطار وأمن بمسامير 2 × M8 55 مم ، غسالات وصواميل شفة. الأجزاء: 2 × إطارات المقعد ، 2 × مسامير M8 مقاس 55 مم ، 2 × M8 16 × 2 مم ، غسالات 2 × 4 ، 2 × M8 × صواميل شفة M8.

04 - الرجوع إلى الصورة أ) قرر بمحاذاة الملحقات الملولبة الموجودة على اللوحة الطرفية مع فتحات التركيب الموجودة في إطارات المقعد الأيمن والأيسر. اربطها بإحكام وأمن باستخدام مسامير وغسالات مقاس 4 × M8. الأجزاء: 1 × لوحة طرفية ، 4 × مسامير M8 مقاس 55 مم ، 4 غسالات M8.

05 - الرجوع إلى الصورة أ) قرر بمحاذاة فتحات التركيب الموجودة على الألواح الجانبية مع الفتحات الموجودة في إطارات المقاعد. اربطها ببراغى وأمنة باستخدام مسامير 4 × M8 وغسالات وصواميل شفة. الأجزاء: 2 × لوحات جانبية ، 4 × مسامير M8 مقاس 55 مم ، 4 غسالات 4 × M8 ، 4 × صواميل شفة M8.

06 - الرجوع إلى الصورة أ) قرر بمحاذاة فتحات التركيب الموجودة على العضو المتقاطع مع الفتحات الموجودة في إطارات المقعد الأيمن والأيسر والألواح الجانبية. ب) اربطها وثبت بإحكام باستخدام 4 × مسامير وغسالات وصواميل شفة. الأجزاء: 1 × Cross 1 Member, 4 x M8 55mm Bolts, 4 x M8 Washers, 4 x M8 Flange Nuts.

07 - الرجوع إلى الصورة أ) الضغط على قاعدة المقعد مع وزن الجسم. اسحب مقبض الكرسي بيد واحدة واضبط بحيث يكون الكرسي متعامدًا مع قاعدة المقعد. كرر على الجانب الآخر. ب) قرر بإلغاء تثبيت 4 × مسامير قبة مثبتة مسبقًا على مسند ظهر المقعد ومحاذاة الحشوات الملولبة على مسند ظهر المقعد مع فتحات التركيب الموجودة في أسفل المقعد. ج) اربطها بإحكام وأمن باستخدام 4 M8 Dome Bolts التي تم إلغاء تثبيتها سابقًا. قرر بإزالة ملفصقات التحذير على الكرسي. الأجزاء: 1 × مسند ظهر للمقعد ، 1 × أسفل المقعد.

08 - الرجوع إلى الصورة أ) اسحب مقبض منزلق المقعد لأعلى واضبط المقعد على أقصى موضع للأمام. ب) قرر بمحاذاة فتحات التركيب الموجودة على منزلقات المقعد مع مواضع تثبيت المقعد (راجع الصورة) على إطارات المقعد الأيمن والأيسر. ج) في الخلف ، اربط وثبته باستخدام مسامير رقيقة مربعة 2 × M8 وصواميل شفة. الأجزاء: 2 × M8 16 × 2 مم مسامير رقيقة مربعة ، 2 × صواميل شفة M8.

09 - الرجوع إلى الصورة أ) اسحب مقبض منزلق المقعد واضبط المقعد على الموضع الخلفي. ب) في المقدمة ، اربط وثبت ببراغى رقيقة مربعة 2 × M8 وصواميل شفة. الأجزاء: 2 × M8 16 × 2 مم مسامير رقيقة مربعة ، 2 × صواميل شفة M8.

10 - الرجوع إلى الصورة أ) قرر بمحاذاة فتحات التركيب الموجودة على الذراعين الأيسر والأيمن مع الفتحات الموجودة في إطارات المقعد الأيمن والأيسر والألواح الجانبية. ب) اربطها وثبت بإحكام باستخدام 4 × مسامير وغسالات وصواميل شفة. الأجزاء: 2 × أذرع جانبية ، 4 × مسامير ملولبة مقاس 55 مم ، 4 غسالات M8 ، صواميل شفة 4 × M8.

11 - الرجوع إلى الصورة أ) قرر بفك البراغى لضبط الأذرع الجانبية على الارتفاع والزاوية المطلوبة. شد البراغى لتثبيتها في مكانها. يرجى الاستفادة من الفتحات الإضافية الموجودة في إطارات المقعد لتعديل الخلف والأمام. الأجزاء: لا شيء

12 - الرجوع إلى الصورة أ) قرر بمحاذاة الأزرار الملولبة الموجودة على لوحة الماوس و لوحة الطيران مع فتحات التركيب الموجودة على أذرع الجانبين الأيسر والأيمن. أمن بصواميل شفة 8 × M8. ملاحظة: الألواح قابلة للتبديل ويمكن تركيبها لتلائم مستخدمى اليد اليمنى أو اليسرى. الأجزاء: 1 × لوحة ماوس ، 1 × لوحة طيران ، 1 × صواميل شفة 8 × M8.

13 - الرجوع إلى الصورة أ) تثبيت HOTAS الاختياري. قرر بمحاذاة فتحات التركيب الموجودة على القطب الخارجي HOTAS مع الفتحات عبر العضو المتقاطع. اربطها بإحكام وأمن باستخدام مسامير 2 × M8 وغسالات وصواميل شفة. الأجزاء: 1 × عمود خارجي HOTAS 2 ، × مسامير M8 مقاس 55 مم ، غسالات 2 × M8 ، صواميل شفة 2 × M8.

14 - الرجوع إلى الصورة أ) قرر بمحاذاة الملحقات الملولبة على القطب الداخلي HOTAS مع الفتحة الموجودة على القطب الخارجي HOTAS. اربطها ببراغى وأمنة بمقايض 2 ×. الأجزاء: 1 × القطب الداخلي 15 × 2 ، HOTAS ملمر المقايض.

15 - الرجوع إلى الصورة أ) قرر بمحاذاة فتحات التثبيت الموجودة على لوحة HOTAS مع الفتحات الموجودة في القطب الداخلي لـ HOTAS. اربطها وثبت بإحكام باستخدام مسامير 3 × M8 وغسالات وصواميل شفة. الأجزاء: 1 × لوحة HOTAS ، مسامير 3 × M8 مقاس 55 مم ، غسالات 3 × M8 16 × 3 مم ، صواميل شفة 3 × M8.

16 - الرجوع إلى الصورة أ) قرر بمحاذاة فتحات التركيب على القطب الخارجي المركزي مع الفتحات الموجودة على إطار الدواسة. ب) قرر بمحاذاة مبادئ البرميل مع الفتحات الموجودة على القطب الخارجي المركزي. اربطها بإحكام وأمن باستخدام مسامير 2 × M8 وغسالات وصواميل شفة. الأجزاء: 1 × عمود خارجي مركزي ، مسامير 2 × M8 مقاس 55 مم ، غسالات 2 × M8 ، صواميل شفة 2 × 1 ، 1 × M8 × فاصل أسطواني 17 أ - راجع الصورة. ضع العمود الأوسط يرفق فوق إطار الدواسة وتأكد من أن المزلاج لأسفل.

ب - الرجوع إلى الصورة أ) قرر بتثبيت سمسار U-Bolt في لسان القفل في إطار الدواسة.

17 ج - الرجوع إلى الصورة أ) تأكد من وضع سمسار U بشكل صحيح في لسان القفل واسحب المزلاج حتى يحكم.

17 د - الرجوع إلى الصورة أ) لقل أكثر إحكامًا ، قرر بفك المزلاج ، واضبط الصواميل في الجزء العلوي من المزلاج وأغلقه مرة أخرى.

18 - الرجوع إلى الصورة أ) قرر بتثبيت Felt Pad x على الجزء العلوي من القطب الداخلي المركزي. قرر بمحاذاة الإدخالات الملولبة على القطب الداخلي المركزي. اربطها ببراغى وأمنة بمقايض 2 ×. ملاحظة: في حالة استخدام المقايض عالية الجودة ، يرجى تثبيت كثيفة العمر الاختيارية (الخطوة 26-23). الأجزاء: 1 × عمود داخلي مركزي ، 2 × 15 ملم مقايض ، 1 × وسادة لباد.

19 أ - الرجوع إلى الصورة أ) تثبيت لوحة YOKE المركزية. قرر بمحاذاة فتحات التركيب الموجودة على لوحة المقرن المركزية مع الفتحات الموجودة في القطب الداخلي المركزي. اربطها ببراغى وأمنة باستخدام مسامير 3 × M8 مقاس 60 مم ، غسالات وصواميل شفة. الأجزاء: 1 × لوحة المقرن المركزية ، 3 × M8 مسامير 60 مم ، غسالات 3 × M8 16 × 3 مم ، 3 × صواميل شفة M8.

19 ب - الرجوع إلى الصورة أ) تثبيت محول شاطئ السلحفاة الاختياري (تابع من أ. 19). أ) اربط من خلال ترصيع 2 × M6 في الفتحات الخلفية الأكثر ملولبة على لوحة المقرن المركزية. ب) قرر بمحاذاة فتحات التثبيت الموجودة على لوحة محول Turtle Beach مع المسامير الملولبة ، وثابتها باستخدام 2 × M6 Flange Nuts. الأجزاء: 1 × لوحة محول M6 20 × 2 ، Turtle Beach مم ترصيع ملولبة ، 2 × M6 شفة المكسرات.



support@nextlevelracing.com



Video Instruction: bit.ly/nlrbuild

CN

飞行模拟器使用说明书

我们知道您渴望开始比赛!花点时间阅读说明并按照本指南组装您的产品。按照说明手册全面优化您的产品，您将为成功做好准备。组装视频，扫描二维码。bit.ly/nlrbuild。跟着我们，扫描二维码

飞行前检查

警告

- 请不要使用电动工具进行组装，因为过度拧紧会损坏您的框架。
- 在水平面上布置和建造驾驶舱。
- 不要将部件强行放在一起。
- 避免使用交叉螺纹螺栓。
- 如有疑问，请参阅安装视频。

如果您的产品需要任何支持，请联系我们友好的团队：support@nextlevelracing.com

警告 窒息危险

小零件不适合3岁以下儿童或任何倾向于将不可食用物品放入口中的人。

开始

- 01 - 参考图片。A) 将踏板角板上的安装孔与踏板框架上的插槽对齐。B) 用 4 x M8 螺栓、方垫圈和法兰螺母固定并固定。零件:1 x 踏板框架,1 x 踏板角板,4 x M8 55mm 螺栓,4 x 方形垫圈,4 x M8 法兰螺母。
- 02 - 参考图片。A) 将踏板板上的安装槽与踏板角板上的螺纹插件对齐。B) 用 4 个 M8 螺栓和垫圈固定并穿过螺栓。零件:1 x 踏板,4 x M8 16mm 螺栓,4 x M8 垫圈。
- 03 - 参考图片。A) 将座椅框架上的安装孔与踏板框架上的安装孔和螺纹插件对齐。B) 在框架的顶部,用 2 x M8 15mm 螺栓和垫圈将座椅框架用螺栓穿过并固定。C) 用螺栓穿过框架中心并用 2 x M8 55mm 螺栓、垫圈和法兰螺母固定。零件:2 个座椅框架,2 个 M8 55 毫米螺栓,2 个 M8 16 毫米螺栓,4 个 M8 垫圈,2 个 M8 法兰螺母。
- 04 - 参考图片。将端板上的螺纹嵌件与左右座椅框架上的安装孔对齐。用 4 个 M8 螺栓和垫圈固定并固定。零件:1 x 端板,4 x M8 55mm 螺栓,4 x M8 垫圈。
- 05 - 参考图片。将侧板上的安装孔与座椅框架上的通孔对齐。使用 4 x M8 螺栓、垫圈和法兰螺母进行螺栓固定。零件:2 x 侧面板,4 x M8 55mm 螺栓,4 x M8 垫圈,4 x M8 法兰螺母。
- 06 - 参考图片。A) 将横梁上的安装孔与左右座椅框架和侧板上的通孔对齐。B) 用 4 个 M8 螺栓、垫圈和法兰螺母固定并穿过螺栓。零件:1 x 横梁,4 x M8 55mm 螺栓,4 x M8 垫圈,4 x M8 法兰螺母。
- 07 - 参考图片。A) 用体重向座椅底座施加压力。用一只手拉起躺椅把手并调整,使躺椅与座椅底部垂直。在另一侧重复。B) 卸下预先安装在座椅靠背上的 4 个圆顶螺栓,并将座椅靠背上的螺纹嵌件与座椅底部的安装孔对齐。C) 用之前卸下的 4 个 M8 圆顶螺栓穿过并固定。取下躺椅上的警告标签。零件:1 x 座椅靠背,1 x 座椅底部。
- 08 - 参考图片。A) 向上拉座椅滑块把手并将座椅调整到最前面的位置。B) 将座椅滑块上的安装孔与左右座椅框架上的座椅安装位置 (参见图片) 对齐。C) 在后部,用 2 个 M8 方颈螺栓和法兰螺母将螺栓穿过并固定。零件:2 x M8 16mm 方颈螺栓,2 x M8 法兰螺母。
- 09 - 参考图片。A) 拉动座椅滑块把手并将座椅调整到最后面的位置。B) 在前面,用 2 个 M8 方颈螺栓和法兰螺母固定。零件:2 x M8 16mm 方颈螺栓,2 x M8 法兰螺母。
- 10 - 参考图片。A) 将左右侧臂上的安装槽与左右座椅框架和侧板上的通孔对齐。B) 用 4 个 M8 螺栓、垫圈和法兰螺母固定并穿过螺栓。零件:2 x 侧臂,4 x M8 55mm 螺栓,4 x M8 垫圈,4 x M8 法兰螺母。
- 11 - 参考图片。松开螺栓以将侧臂调整到所需的高度和角度。拧紧螺栓以锁定到位。请利用座椅框架上的额外通孔进行前后调节。零件:无
- 12 - 参考图片。将鼠标板和飞行板上的螺栓与左右侧臂上的安装孔对齐。用 8 x M8 法兰螺母固定。注意:板是可互换的,可以安装以适应左手或右手用户。零件:1 个鼠标板,1 个飞行板,8 个 M8 法兰螺母。
- 13 - 参考图片。可选的 HOTAS 安装。将 HOTAS 外杆上的安装孔与横梁上的通孔对齐。使用 2 个 M8 螺栓、垫圈和法兰螺母进行螺栓固定。零件:1 x HOTAS 外杆,2 x M8 55mm 螺栓,2 x M8 垫圈,2 x M8 法兰螺母。
- 14 - 参考图片。将 HOTAS 内杆上的螺纹插件与 HOTAS 外杆上的槽对齐。用 2 个旋钮固定并固定。零件:1 x HOTAS 内杆,2 x 15mm 旋钮。
- 15 - 参考图片。将 HOTAS 板上的安装孔与 HOTAS 内杆上的通孔对齐。使用 3 个 M8 螺栓、垫圈和法兰螺母进行螺栓固定。零件:1 x HOTAS 板,3 x M8 55mm 螺栓,3 x M8 16mm 垫圈,3 x M8 法兰螺母。
- 16 - 参考图片。A) 将中心外杆上的安装孔与踏板框架上的孔对齐。B) 将梯形垫片与中心外板上的孔对齐。使用 2 个 M8 螺栓、垫圈和法兰螺母进行螺栓固定。零件:1 x 中心外杆,2 x M8 55mm 螺栓,2 x M8 垫圈,2 x M8 法兰螺母,1 x Barrel Spacer。17a - 参见图片。轻轻地将中心杆放在踏板框架的顶部,并确保门锁向下。
- 17b - 参考图片。将 U 型螺栓钩入踏板框架上的锁定片中。
- 17c - 参考图片。确保 U 形螺栓正确位于锁定片中,然后拉动门锁直至其拧紧。
- 17d - 参考图片。要获得更紧密的锁定,请松开门锁,调整门锁顶部的螺母并再次将其关闭。
- 18 - 参考图片。将 1 个毡垫安装到中心内杆的顶部。将中心内板上的螺纹插件与中心外板上的槽对齐。用 2 个旋钮固定并固定。注意:如果使用高端辮,请安装可选的支撑支架 (步骤 23 - 26)。零件:1 x 中心内杆,2 x 15mm 旋钮,1 x 毡垫。
- 19a - 参考图片。中心枢板安装。将中心枢板上的安装孔与中心内板上的通孔对齐。用 3 x M8 60mm 螺栓、垫圈和法兰螺母固定并固定。零件:1 x 中心枢板,3 x M8 60mm 螺栓,3 x M8 16mm 垫圈,3 x M8 法兰螺母。
- 19b - 参考图片。可选的 TURTLE 海滩适配器安装 (从 19a 继续)。A) 通过 2 个 M6 螺栓将螺栓拧入中心枢板上最后面的螺栓孔中。B) 将 Turtle Beach 适配器板上的安装孔与螺栓对齐,用 2 x M6 法兰螺母固定。零件:1 x Turtle Beach 转接板,2 x M6 20mm 螺纹螺栓,2 x M6 法兰螺母。
- 19c - 参考图片。波音柯/夹板安装。A) 将夹板放在中心内板的顶部。B) 向前滑动夹板并将中心内杆和夹板上的安装孔对齐。C) 用 2 个 M8 螺栓、垫圈和法兰螺母拧紧并固定。零件:1 x 夹板,2 x M8 55mm 螺栓,2 x M8 垫圈,2 x M8 法兰螺母
- 19d - 参考图片。中心键盘板安装。将键盘板上的安装孔和插槽与中心内柱上的通孔对齐。使用 2 个 M8 螺栓、垫圈和法兰螺母进行螺栓固定。零件:1 x 键盘板,2 x M8 55mm 螺栓,2 x M8 垫圈,2 x M8 法兰螺母。
- 20 - 参考图片。将安全带穿过座椅靠背的孔眼。将每个安全带安装板上的安装孔与座椅框架上的通孔和座椅底部底部的螺纹嵌件对齐。使用 4 个 M8 螺栓、垫圈和 2 个 M8 法兰螺母进行螺栓固定。零件:1 x 安全带,2 x M8 16mm 螺栓,2 x M8 55mm 螺栓,4 x M8 垫圈,2 x M8 法兰螺母。
- 21 - 参考图片。将可调节支脚与踏板框架和座椅框架底部的螺纹插件对齐。将可调节支脚拧入螺纹嵌件,锁定到位。要抬起可调脚,逆时针旋转。零件:6 x 可调节脚。
- 22 - 参考图片。您的飞行模拟器驾驶舱已完成。零件:无
- 23 - 参考图片。可选支撑支架安装。将支撑支架上的枢轴点与支撑支架底座上的安装孔对齐。使用 1 个 M8 螺栓、垫圈、筒形垫片和法兰螺母进行螺栓固定。零件:1 x 支撑支架,1 x 支撑支架底座,1 x M8 55mm 螺栓,1 x 枪管垫片,1 x M8 垫圈,1 x M8 法兰螺母。
- 24 - 参考图片。A) 卸下将中心内板固定到中心外板的旋钮,然后卸下中心外板。B) 卸下将 HOTAS 外杆固定到横梁上的 2 个 M8 法兰螺母。零件:无。
- 25 - 参考图片。将支架上的安装孔与横梁上的通孔对齐。使用先前的步骤 24 中卸载的 2 个 M8 法兰螺母进行固定。部件:2 个 M8 法兰螺母。
- 26 - 参考图片。A) 将中心外杆上的螺纹插件与支撑支架上的插槽对齐。用 2 个旋钮固定。B) 将中心内板安装到中心外板中。将中心内板上的螺纹插件与中心外板上的槽对齐。用 2 个旋钮固定并固定。零件:1 x 中心内杆,4 x 15mm 旋鈕。
- 27 - 参考图片。可选的键盘板侧安装。将键盘臂上的安装槽与鼠标板上的孔对齐。用 2 个 M6 螺栓、垫圈和法兰螺母固定。零件:1 x 键盘臂,2 x M6 16mm 螺栓,2 x M6 垫圈,2 x M6 法兰螺母。
- 28 - 参考图片。将键盘板上的安装孔与键盘臂上的通孔对齐。使用 2 个 M8 螺栓、垫圈和法兰螺母进行螺栓固定。零件:1 x 键盘板,2 x M8 55mm 螺栓,2 x M8 垫圈,2 x M8 法兰螺母。
- 29 - 参考图片。可选直侧臂。A) 卸下固定侧臂的 2 个 M8 螺栓、垫圈和法兰螺母。从侧臂上拆下飞行板。B) 卸下将横梁一侧固定到座椅框架上的 2 个 M8 螺栓、垫圈和法兰螺母。零件:无。

19 \ ج - الرجوع إلى الصورة. بوننج YOKE / CLAMP PLATE (التثبيت. أ) ضع لوحة المشبك أعلى القطب الداخلي المركزي. ب) حرك لوحة المشبك للأمام وقرم بمحاذاة فتحات التركيب على القطب الداخلي المركزي ولوحة المشبك. ج) اربطها وثبت بإحكام بمسامير 2 x M8 وغسالات وصواميل شفة. الأجزاء: 1 x Clamp Plate, 2 x M8 55mm Bolts, 2 x M8 Washers, 2 x M8 Flange Nuts

19 د - الرجوع إلى الصورة. تثبيت لوحة المفاتيح المركزية. قمر بمحاذاة فتحات التركيب والفجحات الموجودة على لوحة لوحة المفاتيح مع الفجحات الموجودة في القطب الداخلي المركزي. اربطها بإحكام وأمن باستخدام مسامير 2 x M8 ، وغسالات وصواميل شفة. الأجزاء: 1 x لوحة لوحة المفاتيح ، 2 x مسامير M8 55 مم ، 2 x غسالات 2 ، M8 x صواميل شفة M8.

20 - الرجوع إلى الصورة. مرر حزام الأمان من خلال الثقوب في مسند ظهر المقعد. قمر بمحاذاة فتحات التركيب الموجودة على كل لوحة تثبيت لحزام الأمان مع الفجحات الموجودة في إطارات المقعد والإدخالات الملولبة على الجانب السفلي من قاعدة المقعد. اربطها بإحكام وأمن باستخدام مسامير 4 x M8 وغسالات وصواميل شفة 2 x M8. الأجزاء: 1 x حزام الأمان ، 2 x مسامير M8 16 مم ، 2 x M8 55 مم براغي ، 4 x غسالات 2 ، M8 x صواميل شفة M8.

21 - الرجوع إلى الصورة. قمر بمحاذاة القدم القابلة للضبط مع الملحقات الملولبة أسفل هيكل الدواسة وإطارات المقعد. ثبتها في مكانها عن طريق لف الأرجل القابلة للتعديل في الحشوات الملولبة. لرفع قدم قابلة للضبط ، قمر باللف عكس اتجاه عقارب الساعة. الأجزاء: 6 أقدام قابلة للتعديل.

22 - الرجوع إلى الصورة. اكتملت قمرّة القيادة الخاصة بك Flight Simulator. الأجزاء: NIL

23 - الرجوع إلى الصورة. تثبيت كتيفة الدعم الاختيارية. قمر بمحاذاة النقطة المحورية على كتيفة الدعم مع فتحات التركيب الموجودة على حامل دعامة التثبيت. اربطها بإحكام وأمن باستخدام M8 Bolt 1 x ، Washer ، و Barrel Spacer and Flange Nut

الأجزاء: 1 x دعامة ، 1 x حامل دعامة ، 1 x مسامير M8 55 مم ، 1 x فاصل أسطواني ، 1 x غسالة 1 ، M8 x صمولة شفة M8.

24 - الرجوع إلى الصورة (أ) قمر بإلغاء تثبيت المقابض التي تثبت القطب الداخلي المركزي بالقطب الخارجي المركزي وإزالة القطب الخارجي المركزي. ب) قمر بإلغاء تثبيت صواميل شفة 2 x M8 التي تثبت القطب الخارجي لـ HOTAS بالعضو المتقاطع. الأجزاء: لا شيء.

25 - الرجوع إلى الصورة. قمر بمحاذاة فتحات التركيب الموجودة على كتيفة الدعم مع الفجحات المعلقة على العضو المتقاطع. أمن باستخدام صواميل شفة 2 x M8 تمر إلغاء تثبيتها مسبقًا في الخطوة 24. الأجزاء: 2 x صواميل شفة M8.

26 - الرجوع إلى الصورة (أ) قمر بمحاذاة الإدخالات الملولبة على القطب الخارجي المركزي مع الفجحات الموجودة على كتيفة الدعم. يرقي من خلال 2 x المقابض. ب) ركب القطب الداخلي للمركز في القطب الخارجي للمركز. قمر بمحاذاة الإدخالات الملولبة على القطب الداخلي المركزي مع الفتحة الموجودة في القطب الخارجي المركزي. اربطها ببراعي وأمنةً بمقابض 2 x. الأجزاء: 1 x مركز القطب الداخلي ، 4 x 4 ملر المقابض.

27 - الرجوع إلى الصورة. لوحة المفاتيح الاختيارية الجانبية. قمر بمحاذاة فتحات التركيب الموجودة على ذراع لوحة المفاتيح مع الفجحات الموجودة على لوحة الماوس. اربطها وثبت بإحكام باستخدام مسامير 2 x M6 وغسالات وصواميل شفة. الأجزاء: 1 x ذراع لوحة المفاتيح ، 2 x مسامير 16 مم M6 ، غسالات 2 x M6 ، صواميل شفة 2 x M6.

28 - الرجوع إلى الصورة. قمر بمحاذاة فتحات التركيب على لوحة لوحة المفاتيح مع الفجحات الموجودة على ذراع لوحة المفاتيح. اربطها بإحكام وأمن باستخدام مسامير 2 x M8 ، وغسالات وصواميل شفة. الأجزاء: 1 x لوحة لوحة المفاتيح ، 2 x مسامير M8 55 مم ، 2 x غسالات 2 ، M8 x صواميل شفة M8.

29 - الرجوع إلى الصورة. ذراع جانبي مستقيم اختياري. (أ) قمر بفك 2 x مسامير ، غسالات وصواميل شفة لتأمين الذراع الجانبي. افضل لوحة الطيران عن الذراع الجانبي. ب) قمر بإلغاء تثبيت مسامير ، وحلقات وصواميل شفة 2 x M8 لتأمين جانب واحد من العضو المتقاطع بإطار المقعد. الأجزاء: لا شيء.

30 - الرجوع إلى الصورة (أ) قمر بمحاذاة الذراع الجانبي المستقيم مع الفجحات الموجودة في هيكل المقعد والعضو المتقاطع. ب) قمر بإغلاقها وتأمينها باستخدام مسامير 2 x M8 وغسالات وصواميل شفة غير مثبتة في الخطوة 29. الأجزاء: 1 x ذراع جانبي مستقيم ، 2 x مسامير مقاس 55 مم M8 ، غسالات 2 x M8 ، صواميل شفة 2 x M8.

31 - الرجوع إلى الصورة. قمر بمحاذاة الأزرار الملولبة للوحة الماوس مع فتحات التركيب الموجودة على الذراع الجانبي المستقيم. أمن باستخدام صواميل شفة 4 x M8. الأجزاء: 4 x M8 شفة المكسرات.

32 - الرجوع إلى الصورة. دواسة تعديل زاوية الصفحة. قمر بفك المسامير الأمامية ، والحلقات المربعة وصواميل الفلنجات التي تثبت لوحة زاوية الدواسة بإطار الدواسة وفك البراغي الخلفية. اضبط على الزاوية المرغوبة. ثبت البراغي وأمنها باستخدام البراغي والغسالات المربعة وصواميل الفلنجة التي تمر إلغاء تثبيتها مسبقًا. الأجزاء: لا شيء.

33 - الرجوع إلى الصورة. تعديل ارتفاع القطب HOTAS. قمر بفك المقابض التي تثبت القطب الداخلي لـ HOTAS بالقطب الخارجي لـ HOTAS. اضبط على الارتفاع المطلوب وشد المقابض لتثبيتها في مكانها. الأجزاء: NIL

34 - الرجوع إلى الصورة. تعديل زاوية عمود الماء HOTAS. قمر بفك المسامير الأمامية والغسالات وصواميل الفلنجات التي تثبت صفيحة HOTAS في القطب الداخلي لـ HOTAS. زاوية إلى الموضع المطلوب. اربطها بإحكام وأمن باستخدام 1 x الترياس والغاسلة وصمولة الفلانجة التي تمر إلغاء تثبيتها مسبقًا. الأجزاء: لا شيء.

35 - الرجوع إلى الصورة. تعديل ارتفاع القطب المركزي. قمر بفك المقابض التي تثبت القطب المركزي الداخلي بالقطب المركزي الخارجي. اضبط القطب المركزي الداخلي على الارتفاع المطلوب وشد المقابض لتثبيتها في مكانها. استخدم الحشوات المتعددة الملولبة لتناسب تمامًا. الأجزاء: لا شيء.

36 - الرجوع إلى الصورة. مركز تعديل زاوية القطب. قمر بفك المقابض التي تثبت القطب المركزي الداخلي بالقطب المركزي الخارجي. اضبط القطب المركزي الداخلي على الارتفاع المطلوب وشد المقابض لتثبيتها في مكانها. استخدم الحشوات المتعددة الملولبة لتناسب تمامًا. الأجزاء: لا شيء.

37 - الرجوع إلى الصورة. تركيب الدقة TPR. قمر بتثبيت 4 M6 Threaded Studs x محول TPR. الأجزاء: 1 x محول M6 20 TPR ، 4 x TPR ملمر ترصيع الخيوط

38 - الرجوع إلى الصورة. قمر بمحاذاة فتحات التركيب الموجودة في الجزء الأمامي من موجّه نظام الحماية المؤقت (TPR) مع الدعامة الملولبة الموجودة على مهاجئ نظام الحماية المؤقت. أمن باستخدام 2 x M6 شفة من الصواميل. الدفات TPR جهازة للتركيب على قمرّة القيادة الأجزاء: 2 x M6 Flange Nuts ، 1 x TPR Rudder ، 1 x Buttckicker Pole ، 2 x M8 16mm Bolts

39 - الرجوع إلى الصورة. تثبيت عمود العصا. قمر بمحاذاة فتحات التركيب الموجودة على عمود Buttckicker مع الملحقات الملولبة أسفل قاعدة المقعد. اربطها بإحكام وأمن باستخدام مسامير وغسالات 2 x M8. الأجزاء: 1 x Buttckicker Pole ، 2 x M8 16mm Bolts ، 2 x M8 Washers ، 2 x M8 Washers

40 - الرجوع إلى الصورة. تثبيت حصيرة الماوس. ضع حصيرة الماوس فوق لوحة الطيران. يمكن الآن استخدام الماوس. يمكن أيضًا وضع حصيرة الماوس أعلى لوحة الماوس. الأجزاء: 1 x حصيرة ماوس.

41 - الرجوع إلى الصورة. تثبيت لوحة المفاتيح. ضع غطاء لوحة المفاتيح أعلى مكان لوحة المفاتيح. يمكن الآن استخدام لوحة المفاتيح. الأجزاء: 1 x بساط لوحة المفاتيح.

تحذير

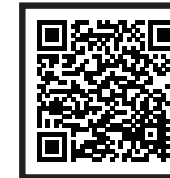
- يرجى عدم استخدام الأدوات الكهربائية للتجميع حيث أن الإفراط في إحكام الربط يمكن أن يثلف الهيكل.
- ضع وقمر وبناء دعامة القيادة على سطح مستو.
- لا تجبر الأجزاء معًا.
- تجنب البراغي المتقاطعة.
- إذا كنت في شك ، استشر فيديو التثبيت.

المساعدة

إذا كنت بحاجة إلى مزيد من الدعم مع منتجك ، فيرجى الاتصال بفرقتنا الودود على: support@nextlevelracing.com



support@nextlevelracing.com



Video Instruction: bit.ly/nlrbuild

- 30 - 参考图片。A) 将直侧臂与座椅框架和横梁上的通孔对齐。B) 使用在步骤 29 中卸下的 2 个 M8 螺栓、垫圈和法兰螺母进行螺栓固定并固定。零件: 1 个直侧臂、2 个 M8 55 毫米螺栓、2 个 M8 垫圈、2 个 M8 法兰螺母。
- 31 - 参考图片。将鼠标板螺栓与直侧臂上的安装孔对齐。用 4 个 M8 法兰螺母固定。零件: 4 x M8 法兰螺母。
- 32 - 参考图片。踏板角度调整。卸下踏板角板固定到踏板框架上的前螺栓、方垫圈和法兰螺母, 然后松开后螺栓。调整到所需的角度。使用之前卸载的螺栓、方垫圈和法兰螺母进行螺栓固定。零件: 无。
- 33 - 参考图片。HOTAS 杆高度调整。松开将 HOTAS 内板固定到 HOTAS 外板的旋钮。调整至所需高度并拧紧旋钮以锁定到位。零件: 无。
- 34 - 参考图片。HOTAS 杆角度调整。卸下将 HOTAS 板固定到 HOTAS 内杆的前螺栓、垫圈和法兰螺母。角度到所需位置。使用先前卸载的 1 个螺栓、垫圈和法兰螺母进行螺栓固定。零件: 无。
- 35 - 参考图片。中心杆高度调整。松开将内中心杆固定到外中心杆的旋钮。将内部中心杆调整到所需高度并拧紧旋钮以固定到位。利用多螺纹嵌件实现完美贴合。零件: 无。
- 36 - 参考图片。中心板角度调整。松开将内中心杆固定到外中心杆的旋钮。将内部中心杆调整到所需高度并拧紧旋钮以固定到位。利用多螺纹嵌件实现完美贴合。零件: 无。
- 37 - 参考图片。TPR 方向舵安装。将 4 个 M6 螺栓安装到 TPR 适配器中。零件: 1 x TPR 适配器, 4 x M6 20mm 螺栓。
- 38 - 参考图片。TPR 方向舵前面的安装孔与 TPR 适配器上的螺栓对齐。用 2 个 M6 法兰螺母固定。TPR 方向舵已准备好安装到驾驶舱。零件: 2 x M6 法兰螺母, 1 x TPR 方向舵 (不包括在内)。
- 39 - 参考图片。BUTTKICKER 杆安装。将 Butt kicker Pole 上的安装孔与座椅底部下方的螺纹插件对齐。用 2 个 M8 螺栓和垫圈固定并固定。零件: 1 x Butt kicker Pole, 2 x M8 16mm 螺栓, 2 x M8 垫圈。
- 40 - 参考图片。鼠标垫安装。将鼠标垫放在飞行板的顶部。现在可以使用鼠标了。鼠标垫也可以放在鼠标板的顶部。部件: 1 x 鼠标垫。
- 41 - 参考图片。键盘垫安装。将键盘垫放在键盘位置的顶部。现在可以使用键盘。零件: 1 x 键盘垫。

警告

- 请不要使用电动工具进行组装, 因为过度拧紧会损坏您的框架。
- 在水平面上布置和建造驾驶舱。
- 不要将部件强行放在一起。
- 避免使用交叉螺纹螺栓。
- 如有疑问, 请参阅安装视频。

帮助

如果您需要进一步的产品支持, 请联系我们友好的团队: support@nextlevelracing.com

NOTES



support@nextlevelracing.com