



Archon 2 Mesh RGB

Elegant ARGB Mid Tower Case with Powerful Mesh Intakes

Archon 2 Mesh RGB sports an attractive and elegant design with three ARGB fans at the front panel.

The integrated lighting button allows it to display amazing lighting effects.

Powerful airflow, mighty support for up to a 360mm radiator, a 315mm graphic card, and a 170mm CPU cooler deliver superior value for you.



Elegant Looks with Superior Airflow

Archon 2 Mesh RGB's front panel combines with excellent appearance and unobstructed airflow. The breathable steel mesh brings powerful cooling performance while keeping dust from getting in through.



Incredible RGB Lighting

Archon 2 Mesh RGB comes with 3 ARGB fans. You are freely to control several amazing lighting effects with the dedicated RGB button. The ARGB fans are also adaptable with any compatible motherboards' 5V ARGB connection for system-wide lighting synchronization.



Great Support for Components

Its advanced support for up to 315mm-long graphics cards, which allows you to enjoy the latest games with smooth framerates.



Clean and Tidy Looks

Unlike most massive tempered glass panels, the full-length PSU shroud presents a distinctive view of divided design. The full-length PSU cover also allows you to hide the cables, improve the internal airflow, and showcase a clean build!





Archon 2 Mesh RGB

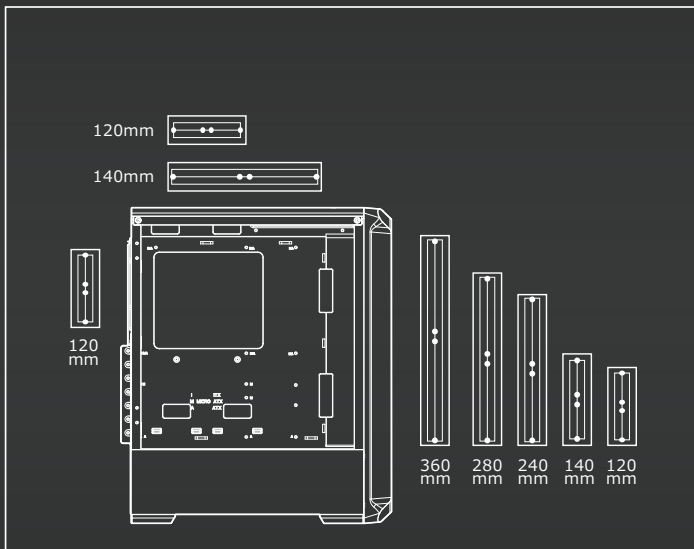
Elegant ARGB Mid Tower Case with Powerful Mesh Intakes



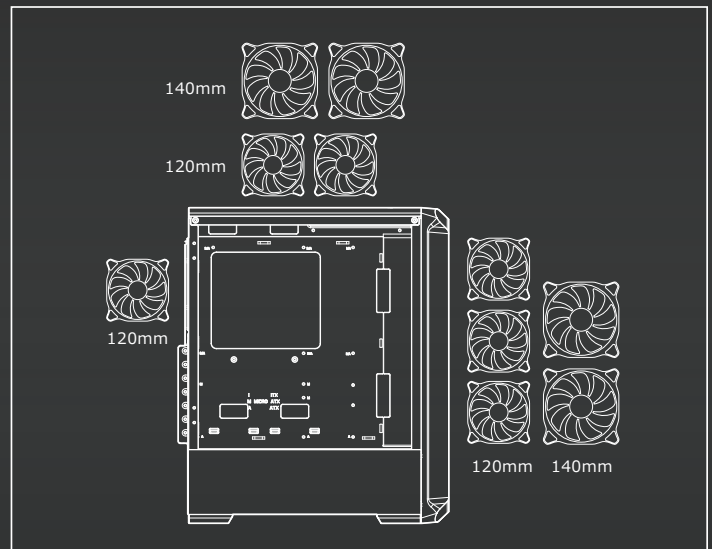
Top-notch Cooling

Archon 2 Mesh RGB's compact layout allows you to install six fans, a 360mm water cooling radiator, and a 170mm CPU cooler. This immense cooling potential will enable you to choose components freely.

Water cooling radiator support



Air cooling support



SPECIFICATIONS

Model No.(Black / White)	CGR-5CC5B-MESH-RGB / CGR-5CC5W-MESH-RGB	Water Cooling Support	Front : *360mm / 280mm / 240mm / 140mm / 120mm Top : 240mm / 120mm Rear : 120mm
Case Type	Mid Tower	Cooling Fan Support	Front : 120mm x 3 / 140mm x 2 (120mm ARGB fan x 3 pre-installed) Top : 120mm x 2 / 140mm x 2 Rear : 120mm x 1
Motherboard Type	Mini ITX / Micro ATX / ATX	Maximum Number of Fans	6Max.
Dimension (WxHxD)	210 x 470 x 380 (mm) / 8.3 x 18.5 x 15 (in)	RGB Sync with M/B	Yes
Case Drive Bays	3.5" : 2 2.5" : 2+1 (converted from 3.5" drive bay) / (2 SSD trays included)	Max. CPU Cooler Height	170 (mm) / 6.7 (in)
I/O Panel	USB 3.0 x 2, USB 2.0 x 1, Mic x 1 / Audio x 1, RGB Button	Max. Graphics Card Length	315 (mm) / 12.4 (in)
Expansion Slots	7	Max. PSU Length	*160 (mm) / 6.3 (in)
Transparent Left Panel	3mm Tempered Glass		

* When install a 360mm radiator at the front, the maximum PSU length is 140mm.

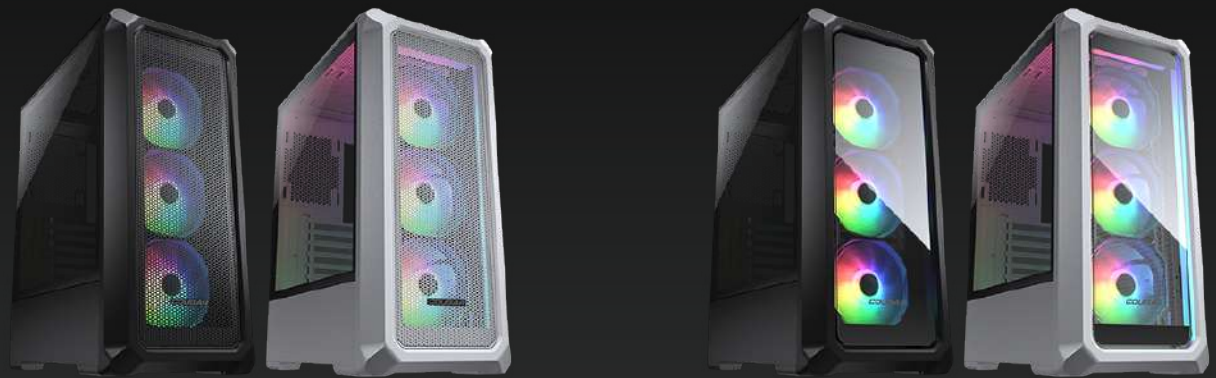
PACKING DATA

Product Name	Archon 2 Mesh RGB (Black)	Archon 2 Mesh RGB (White)	Product Name	Archon 2 Mesh RGB (Black)	Archon 2 Mesh RGB (White)
Product Number (P/N)	385CC50.0001	385CC50.0002	Individual Size W/O Packaging Weight (N.Weight)	4.95 (kg)	5 (kg)
EAN CODE	4710483773013	4710483773020	Individual Packaging Weight (G.Weight)	5.85 (kg)	5.9 (kg)
UPC CODE	192554003894	192554003900	Individual Size W/O Packaging (WxHxD)	210 x 470 x 380 (mm) / 8.3 x 18.5 x 15 (in)	
JAN CODE	4541995036385	4541995036392	Individual Packaging Size (WxHxD)	267 x 442 x 521 (mm) / 10.51 x 17.4 x 20.51 (in)	



Archon 2

COMPARISON



	Archon 2 Mesh RGB (Black / White)	Archon 2 RGB (Black / White)
Model No.	CGR-5CC5B-MESH-RGB / CGR-5CC5W-MESH-RGB	CGR-5CC5B-G-RGB / CGR-5CC5W-G-RGB
Front Panel	Mesh	Tempered Glass
I/O Panel	USB 3.0 x 2, USB 2.0 x 1, Mic x 1 / Audio x 1, RGB Button	
Pre-installed Fans	Front 120mm ARGB fan x 3 pre-installed	
RGB Sync. with M/B	Yes	
Transparent Left Panel	3mm Tempered Glass	