



PURE BASE 600

EXCEPTIONALLY SILENT AND FUNCTIONAL

IDEAL APPLICATIONS

Air-cooled and water-cooled systems
Gaming and multimedia PCs
Quiet home theater PCs

HIGHLIGHTS

Highly versatile construction
Water cooling optimized with adjustable top cover vent
Two pre-installed Pure Wings 2 fans
Completely sound-insulated on top, side and front

Exceptionally Silent and Functional

Pure Base 600 is truly multi-talented, offering a great deal of functionality and features for an attractive price.

Highlights »

- Highly versatile construction with repositionable HDD slots and a removable ODD cage
- Optimized for liquid cooling with three specially designed areas of up to 360mm to add water cooling radiators
- Adjustable top cover vent that can be closed for absolute silence, partially open for more air exhaust or fully open, with the added possibility to mount a radiator
- Whisper-quiet operation thanks to two pre-installed Pure Wings 2 fans featuring nine airflow-optimized fan blades that reduce turbulence while increasing the air pressure
- Completely sound insulated with integrated dampening material on top, side and front
- Professional cable management is adaptable with extensive cable routing options
- 3-year manufacturer's warranty
- Product conception, design and quality control in Germany

Pure Base 600 »

Smart usability features and whisper-quiet operation enable you to realize almost any system configuration you desire for your ATX or micro ATX PC. It is the perfect base for your system.

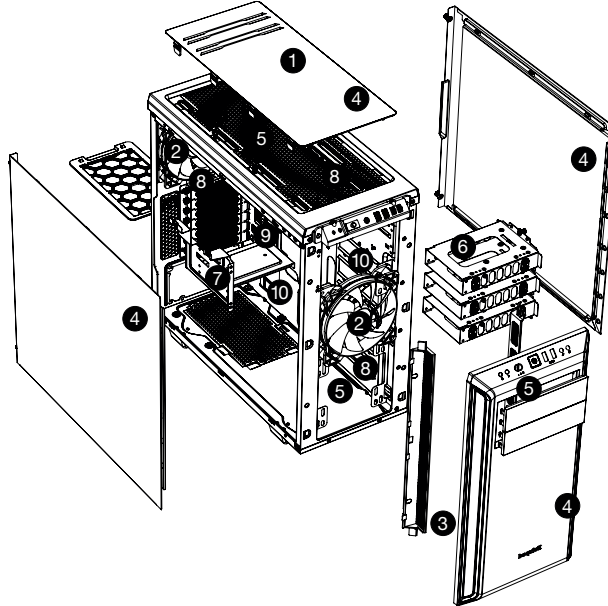
+ NOISE INSULATION

+ AIRFLOW CONTROL

PURE BASE 600

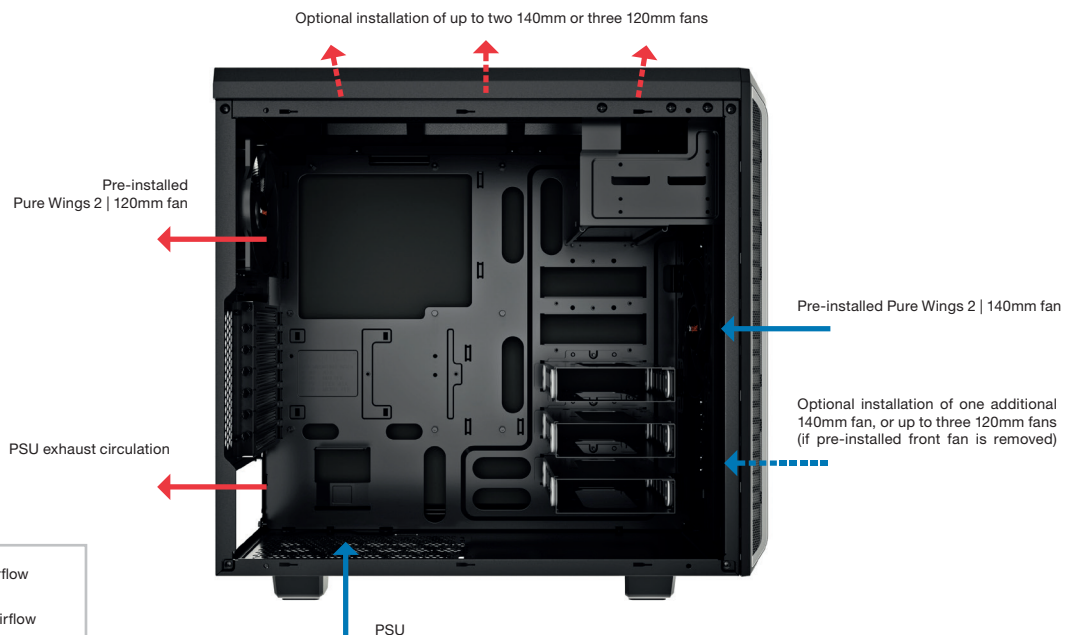
EXCEPTIONALLY SILENT AND FUNCTIONAL

Features »



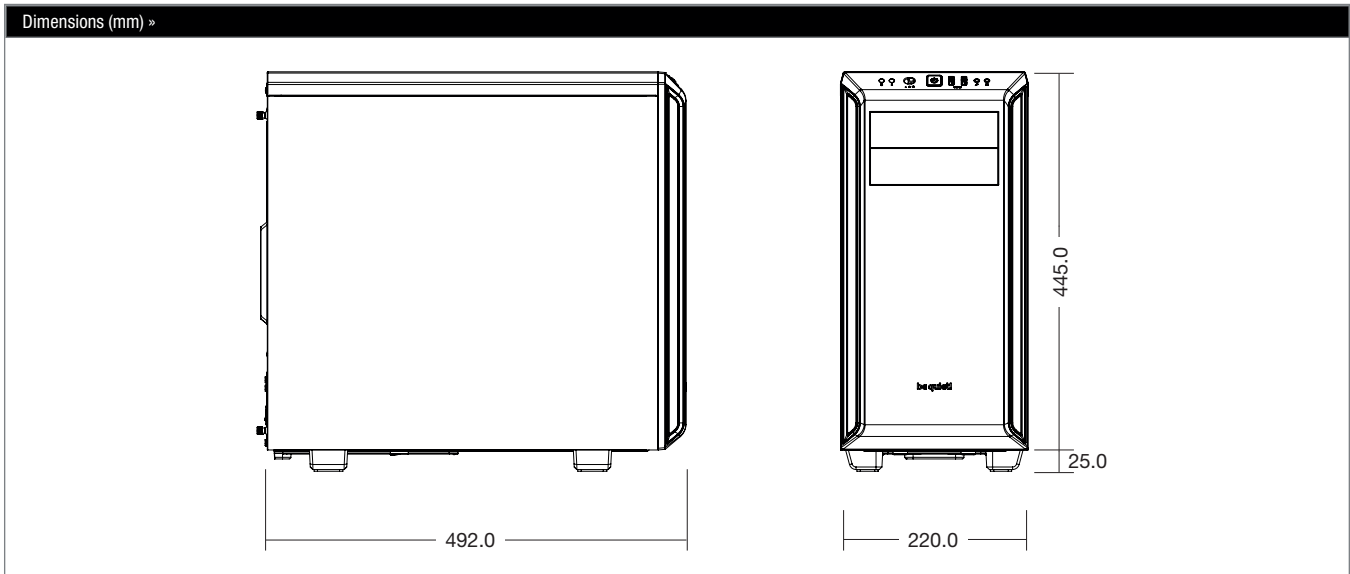
- ① Adjustable top cover vent can be closed for absolute silence, partly opened for more air exhaust or fully open, with the added possibility of mounting a water cooling radiator
- ② One Pure Wings 2 140mm front intake fan and one Pure Wings 2 120mm rear exhaust fan for outstanding cooling performance
- ③ Airflow follows a clear path that quietly and efficiently lowers the system's temperatures. All exhaust air is directed to the rear, to further minimize any noise experienced
- ④ Sound-insulated side and front panels as well as top cover
- ⑤ Design permits the installation of up to four additional cooling fans. Integrated 3-step fan controller for up to three fans
- ⑥ Truly versatile, thanks to repositionable and removable HDD slots
- ⑦ Removable ODD tray for maximum flexibility of water cooling and drives
- ⑧ Chassis is optimized for liquid-cooling, with three specially designed areas to add radiators
- ⑨ Motherboard tray features large cutouts for the CPU cooler back plate, supporting all present and future CPU socket designs
- ⑩ Professional cable management is optimized by extensive cable routing options

Airflow »



PURE BASE 600

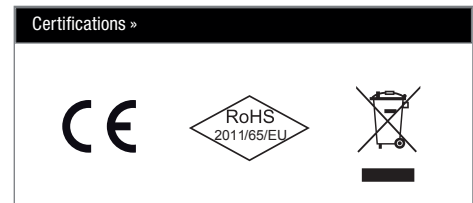
EXCEPTIONALLY SILENT AND FUNCTIONAL



| General Data Case » | |
|---|--|
| Motherboard compatibility | ATX, M-ATX, Mini-ITX |
| Form factor PSU | ATX PS/2 |
| Case size (L x W x H in mm) | 492 x 220 x 470 |
| Material | 0.8 - 1mm steel, ABS plastic |
| Weight incl. package / without package (kg) | 8.74 / 7.44 |
| I/O Panel | 2x USB 3.0, HD Audio (mic + headphone jacks) |
| Expansion slots (pcs.) | 7 |
| Drive Bay Capacity » | |
| 5.25 | 2 |
| 3.5 | 3 (removable) |
| 2.5 | 2 on motherboard tray 6 inside the HDD slots (removable) |
| Cooling System » | |
| Pre-installed Pure Wings 2 fans (mm / rpm) | Front: 1x 140 / 900 Rear: 1x 120 / 1,200 |
| Optional fans (mm) | Top: 2x 140 / 3x 120 Front: 140 / up to 3x 120 (w/o pre-installed 140mm fan)* |
| Optional liquid cooling system (radiotor in mm) | Top: 120, 240, 360* Front: 120, 140, 240, 280*, 360 (w/o 5.25" cage) Rear: 120 |
| Cooling solutions | Air channels (front) Adjustable and removeable top cover Manual 3-step fan controller (3x 3-pin) |
| Maximum Dimensions (mm) » | |
| CPU cooler | up to 165 |
| PSU | 210 |
| Graphics card (standard) | 280 |
| Graphics card (w/o HDD slots) | 425 |
| Insulation and Damping » | |
| Sound insulation mats (top, front, side) | ✓ |
| Anti-vibration decoupled HDD / PSU | ✓ |

*without 5.25" bay

| Color Options » | | |
|-----------------|---------|---------------|
| Pure Base 600 | Art. no | EAN code |
| Black | BG021 | 4260052185414 |
| Silver | BG022 | 4260052185421 |



| Contact » |
|---|
| Service Hotline: +49 40 7367 686 44 (Mondays to Fridays from 9:00am to 5:30pm CET) |
| Mail: service@bequiet.com |