

be quiet!®



# PURE POWER 12 M

EXCEPTIONAL QUIET. SUPERIOR FEATURES

## USER MANUAL

1200W  
1000W  
850W



**ENGLISH**

Introduction .....	6
Safety instructions .....	6
Compatibility .....	7
Installing your new power supply .....	7
Safety functions.....	8
Troubleshooting.....	9
Frequent Problems.....	9
Accessories .....	10
Notes on disposal.....	10
Warranty .....	10
Manufacturer's details .....	11
Copyright .....	11
Technical data .....	55

**DEUTSCH**

Einleitung .....	12
Sicherheitshinweise .....	12
Kompatibilität .....	13
Installation deines neuen Netzteils.....	13
Sicherungsfunktionen .....	14
Fehlerbehebung .....	15
Häufige Probleme.....	16
Zubehör.....	16
Entsorgungshinweise .....	17
Garantie .....	17
Herstellerangaben .....	18
Copyright .....	19
Technische Daten.....	55

**FRANÇAIS**

Introduction .....	20
Consignes de sécurité .....	20
Compatibilité .....	21
Installation de votre nouveau bloc d'alimentation .....	21
Systèmes de sécurité.....	22
Dépannage .....	23
Problemes les plus fréquents .....	24
Accessoires .....	24
Consignes d'élimination et de recyclage .....	25
Garantie .....	25
Informations constructeur .....	26
Droits d'auteur .....	26
Données techniques .....	55

**POLSKI**

Wprowadzenie.....	27
Wskazówki dotyczące bezpieczeństwa .....	27
Kompatybilność.....	28
Instalacja nowego zasilacza .....	28

Funkcje bezpieczeństwa.....	29
Usuwanie usterek.....	30
Częste problemy .....	31
Akcesoria .....	31
Wskazówki dotyczące recyklingu.....	32
Gwarancja.....	32
Dane Producenta.....	33
Prawa Autorskie .....	33
Dane techniczne.....	55

## ESPAÑOL

Introducción.....	34
Indicaciones de seguridad .....	34
Compatibilidad .....	35
Instalación de su nuevo bloque de alimentación.....	35
Funciones de fusible .....	36
Solución de errores .....	37
Problemas frecuentes .....	38
Accesorios.....	38
Indicaciones para la eliminación .....	38
Garantía .....	39
Datos del fabricante .....	40
Copyright .....	40
Datos técnico.....	55

## РУССКИЙ

Введение.....	41
Инструкция по безопасности.....	41
Совместимость.....	42
Установка нового блока питания.....	42
Функции безопасности.....	43
Поиск неисправностей .....	44
Частые проблемы.....	44
Аксессуары .....	45
Замечания по утилизации.....	45
Гарантия.....	46
Подробности о производителе .....	46
Авторские права.....	46
Технические характеристики .....	55

## **УКРАЇНЬСЬКА**

Вступ .....	47
Інструкція з Безпеки .....	47
Сумісність .....	48
Встановлення нового Блоку живлення.....	48
Функції Безпеки .....	49
Пошук несправностей .....	50
Часті проблеми .....	51
Акcesуари .....	51
Зауваження по утилізації .....	52
Гарантія .....	52
Інформація про виробника .....	52
Авторські права .....	53
Специфікації .....	55

LIMITED WARRANTY .....	53
------------------------	----

## **TECHNICAL DATA**

Label .....	55
Voltage regulation .....	56
Operating conditions .....	56
Minimal load .....	56
Rail Distribution.....	56
GPU Configuration .....	57
Dimensions .....	57
Connectivity and cable lengths .....	58

## 1. INTRODUCTION

We are delighted that you have chosen to use a be quiet! Pure Power 12 M PSU in your PC. Please read and follow all the information contained in these instructions carefully prior to installation. Should you have any further questions, please contact our customer service. See contact information in item Manufacturer's details.

## 2. SAFETY INSTRUCTIONS

The power supply is only guaranteed to function properly if the instructions are followed.



**Caution:** Only use the supplied cable set. Using cables that were not included (e.g. cables of older power supply unit series) may lead to defects!

Never open the power supply case. The electronic components inside the case generate a high voltage that is dangerous to humans. Even after disconnecting the power supply from the network, some parts still have high voltages. For this reason, a power supply adapter should only be opened by an authorised technician.

### **Opening the device voids your warranty.**

- Never handle the power supply with wet or damp hands when in operation.
- Never insert objects into the power supply's apertures/fans.
- Note that the power supply is designed for use indoors in conditions without high levels of moisture in the ambient air. Using the power supply outdoors will lead to serious damage.
- Never work on the power supply while it is connected to the mains. In this case, always set the power switch to "0" and / or disconnect the power plug.
- In the event of a short circuit in the device, unplug the mains cable and do not use the device.

Make sure that your PC is not located directly next to a heating system or any other source of heat.

Make sure that your computer case is sufficiently ventilated by means of additional fans; with today's complex and powerful systems a power supply is incapable of dissipating the heat produced in the PC case without additional support.

If you want to clean your power supply, disconnect it completely from the mains and never use a damp cloth or cleaning agent. Clean the power supply from the outside using a dry cloth.

Before using the power supply, allow it to warm up to room temperature for one hour

to prevent condensation accumulating in the power supply.

### 3. COMPATIBILITY

The be quiet! Pure Power 12 M series power supplies are compatible with all recent popular power supply and motherboard specifications such as:

- Intel ATX12V 3.1 Power Supply Design Guide Revision 2.1
- PCIe 5.1
- BTX Version 1.0a
- E-ATX Server Motherboards via 8-Pin connector
- EPS12V version 2.92
- Intel C6/C7 Status for the new processor generation
- Energy Star 8.0 guidelines
- ErP guidelines

### 4. INSTALLING YOUR NEW POWER SUPPLY

Please read „Safety instructions“ before you begin the installation.

**Note:** You will need a screwdriver to fit the power supply in your PC. Only use the screws provided with the power supply because they have the correct thread.

**Caution:** Only use the supplied cable set. Using cables that were not included (e.g. cables of older power supply unit series) may lead to defects!

**First remove your old power supply. To do so, proceed as follows:**

- Carefully disconnect your PC from any power sources and unplug all cables connected to the PC.
- Open the PC case, taking care to follow the manufacturer's instructions.
- Disconnect all plugs from the motherboard and all other components, such as FDDs, HDDs, or optical drives. Make sure that there are no plugs from the old power supply connected to any of the components.
- Now remove the screws at the rear of the power supply and carefully pull the power supply out of the PC case. Take special care that no cables get caught in the components and damage them.

**Fitting your new be quiet! Pure Power 12 M power supply:**

- Place the new power supply in the space provided in the PC case and connect to the rear panel using the four screws provided. Do not use excessive force.
- Plug the 20/24-pin connector into the socket provided on the motherboard. If you have a 24-pin connection, place the remaining 4 pins in the correct position before

you plug the connector into the socket. If you have a motherboard with a 20-pin connector, fold the additional 4 pins to one side.

- Now plug the 12V-P4 or P8 connector for the CPU into the socket provided on the motherboard.

## 5. SAFETY FUNCTIONS

All be quiet! power supplies have numerous safety functions. They are designed to protect the power supply and the components connected to it against damage. If one of these safeguards is triggered, the system will reboot or power off in most cases. If this happens, you should immediately check the PC for errors.

For more info on troubleshooting see the “Troubleshooting” chapter.

The be quiet! Pure Power 12 M series has the following safety functions:

### **OCP (Over current protection)**

If the load on the individual circuits exceeds the specified limit, the power supply is automatically switched off.

### **UVP (Undervoltage protection)**

This safeguard is triggered if the voltage on the circuits drops below a certain limit. The power supply is automatically switched off in this case.

### **OVP (Overvoltage protection)**

The overvoltage safeguard is triggered if the voltage in the circuits is too high; the power supply is deactivated.

### **SCP (Short circuit safeguard)**

The fuse protecting the power supply’s secondary circuits prevents physical defects of the power supply and the components connected to it.

### **OTP (Temperature safeguard)**

In the case of excessive heat build-up in the power supply, the power supply immediately and automatically switches off. You cannot switch it back on until it has cooled down. Please ensure that the PC has sufficient cooling.

### **OPP (overload protection)**

This safeguard is triggered if the total output of the power supply exceeds the specified maximum load. This can happen if the output of power supply is insufficient for the system (incorrectly dimensioned).



## 6. TROUBLESHOOTING

**Please note:** If you have an ATX system, the power supply is enabled by the motherboard in order to boot the PC. For this reason, please refer to the motherboard or case manual to check whether the on/off switch is connected correctly.

**Caution:** There is a risk of fatal injury when working on power sources. If you notice traces of smoke, damaged cables and exposure to liquids, immediately disconnect the power from the mains and do not use it again.

Never open the power supply case. High-voltage components in the interior of the power supply may still be live after a longer period of disuse.

**Please have any and all necessary repairs conducted by an authorized expert!**

**Opening the device will void your warranty.**

If the system in which you installed the power supply does not work properly, check for these possible sources of error first:

- Check that the mains cable to the power supply is correctly and firmly plugged into the power supply and the socket. Ideally, you should use a separate power socket for the computer power supply.
- Check whether all connectors are correctly plugged in, and make any necessary adjustments, such as in case of incorrect polarity.
- Check the connection between the on/off switch on the case to the motherboard. Refer to the motherboard manual if needed! Switch the power supply on by setting the switch to position "I" and then pressing the on/off switch on the case. If the power supply still does not switch on, continue with the next item.
- Check your system for possible short circuits or faulty hardware, making sure that you switch off the computer and disconnect all devices not required for the computer to start. Switch the computer back on. Repeat this process and connect one device after each reboot, until you discover the fault. If the power supply does not react due to a short circuit, wait for at least 5 minutes before switching back on as the device is equipped with overload protection.

## 7. FREQUENT PROBLEMS

**Problem: The selected voltages (via BIOS/UEFI) are to low/high**

If you check the power supply voltages via the BIOS/UEFI on the motherboard or the operating system, note that they may be displayed incorrectly. This typically results from imprecise measurements by motherboard and does not necessarily imply a genuine problem.

## **Problem: After installing a new graphics card, the PC will not power on, or it crashes frequently.**

You have installed a new higher performance graphics card in your system and now your PC fails to boot, or it crashes immediately with minimal workload. The power supply is inadequately dimensioned for your graphics card. Before making a purchase, please refer to our PSU calculator tool on [www.bequiet.com](http://www.bequiet.com). The tool will help you to find the right be quiet! power supply from our range of products.

### **Important note:**

If the problems persist, please contact our customer service department immediately.

## **8. ACCESSORIES**

The power supply package includes the following accessories: Cable management cable set, mains lead, operating manual, cable ties, screws for installing the power supply

## **9. NOTES ON DISPOSAL**

Due to European directives\* you are no longer allowed to dispose of used electrical and electronic devices as unsorted domestic waste. The devices must be collected separately. The trash can on wheels pictogram indicates the need to dispose of the device separately. Please help to protect the environment and make sure, once you have decided to stop using the device, that you dispose of it responsibly via the correct collection system.



In Germany, you are legally\*\* required to dispose of used devices separately, instead of as domestic waste. Your local waste disposal authority has set up one or more collection points at which used devices from private households in your area can be handed in free of charge. In some cases waste disposal authorities will pick up used devices, even from private households. Please refer to your local household waste collection brochure, or visit your town hall or community administration office, for more information on handing in or collecting used devices in your area.

\* Complies with Directive of the European Parliament and of European Council on waste electrical and electronic equipment (WEEE).

\*\* Corresponds to the law on sale, return and sustainable disposal of electrical and electronic equipment (Electrical and Electronic Equipment Act – ElektroG)

## **10. WARRANTY**

- 10 years manufacturer's warranty for consumers (original purchase from authorised be quiet! dealers only).

- Your original purchase receipt will be required before warranty performance is rendered. Please keep it in a safe place.
- Opening the device, manipulations and / or technical modifications of any kind and damage due to external mechanical force will void your warranty.
- To read the warranty terms and conditions in full, see Service/Warranty Conditions on the homepage at bequiet.com.

Our General Terms and Conditions of Business apply; for details, please refer to bequiet.com on the internet.

## 11. MANUFACTURER'S DETAILS

**Listan GmbH | Wilhelm-Bergner-Straße 11c | 21509 Glinde | Germany**

For support in Germany, you can call our free service hotline,

Tel. 0049 40 736 7686 - 44 Fax 0049 40-7367686-69

Email: [service@bequiet.com](mailto:service@bequiet.com)

Internet page and PSU Calculator: [www.bequiet.com](http://www.bequiet.com)

UK Authorised Representative (for authorities only) ProductIP (UK) Ltd.

8, Northumberland Av. London WC2N 5BY



## 12. COPYRIGHT

- You are not allowed to reproduce, disclose, publish or store the contents of this documentation, or excerpts of it, without the prior written consent of Listan.
- be quiet! is a registered trademark of Listan GmbH. Other products and company names mentioned in this documentation may be brands or trademarks of their respective owners.
- In accordance with company policy, all Listan products are subject to ongoing development. Listan reserves the right to make changes and improvements to any product described in this documentation without prior announcement.
- Under no circumstances shall Listan be held liable for loss of data and income, or for any specific, incidental, direct, or indirect damage, however it arises.
- The content of this documentation represents the current state-of-art. Listan does not assume, whether expressed or implicit, any liability for the correctness or completeness of the content of this documentation, including, but not limited to the implicit guarantee of market suitability and aptitude for a special purpose, unless applicable laws or jurisdiction stringently stipulate such a liability.

Listan retains the right to make changes to this documentation or to withdraw the documentation at any time without prior announcement.

## 1. EINLEITUNG

Wir freuen uns, dass du dich dazu entschieden hast, ein be quiet! Netzteil der Pure Power 12 M Serie in deinem Rechner einzusetzen. Befolge vor der ersten Inbetriebnahme bitte alle Punkte dieser Anleitung. Falls du weitere Fragen hast, richte dich bitte an unseren Kundenservice. Siehe hierzu die Kontaktdaten unter „Herstellerangaben“.

## 2. SICHERHEITSHINWEISE

Befolge vor der ersten Inbetriebnahme bitte alle Punkte dieser Anleitung. Nur dann ist ein ordnungsgemäßer Betrieb des Netzteils sichergestellt.



**Achtung:** Verwende nur den mitgelieferten Kabelsatz! Das Verwenden von nicht mitgelieferten Kabeln (z.B. Kabel älterer Netzteilserien) kann zu einem Defekt führen!

Öffne niemals die Abdeckung des Netzteils, die dort verbauten elektronischen Bauteile erzeugen gefährliche Hochspannungen. Auch nach der Trennung vom Netz führen die Bauteile oft noch Hochspannung, aus diesem Grund darf ein Netzteil nur von autorisiertem Fachpersonal geöffnet werden.

**Durch das Öffnen des Gerätes erlischt die Garantie.**

- Nimm niemals das Gerät mit nassen oder feuchten Händen in Betrieb.
- Stecke keine Gegenstände in die Öffnungen/Gebälse des Netzteils.
- Beachte, dass das Netzteil für die Inbetriebnahme in Innenräumen ohne hohe Luftfeuchtigkeit vorgesehen ist. Der Außeneinsatz führt zu schweren Beschädigungen des Netzteils.
- Führe keine Arbeiten am Netzteil durch, wenn sich dieses unter Netzspannung befindet. In diesen Fällen immer Netzschalter auf „0“ stellen und/oder den Netzstecker herausziehen.
- Bei einem Kurzschluss im Gerät: entferne das Netzkabel und nimm das Netzteil nicht erneut in Betrieb.

Stelle sicher, dass dein PC nicht direkt neben einer Heizung oder einer anderen Wärmequelle betrieben wird.

Sorge für eine ausreichende Belüftung deines Computergehäuses durch zusätzliche Lüfter, da bei heutigen komplexen und leistungsfähigen Systemen ein Netzteil allein nicht mehr für den Abtransport der im PC-

Gehäuse produzierten Wärme ausreicht.

Für den Fall, dass du dein Netzteil reinigen möchtest: trenne das Netzteil komplett vom Stromnetz und benutze keine feuchten Tücher oder Reinigungsmittel. Reinige das Netzteil nur von außen mit Hilfe eines trockenen Tuches. Ein Öffnen des Gerätes führt zum Garantieverlust.

Nimm das Netzteil erst nach einer Stunde in Raumluftumgebung in Betrieb, da sich anderenfalls Kondenswasser im Netzteil bilden könnte.

### **3. KOMPATIBILITÄT**

Die be quiet! Netzteile der Pure Power 12 M Serie sind mit allen aktuell gängigen Netzteil- sowie Mainboard-Spezifikationen kompatibel wie u.a.:

- Intel ATX12V 3.1 Power Supply Design Guide Revision 2.1
- PCIe 5.1
- BTX Version 1.0a
- E-ATX Server Dual Mainboards mittels 8-Pin-Connector
- EPS12V Version 2.92
- Intel C6/C7 Status der neuen Prozessorgeneration
- Energie Star 8.0 Guidelines
- ErP Richtlinien

### **4. INSTALLATION DEINES NEUEN NETZTEILS**

Lies bitte den Punkt „Sicherheitshinweise“, bevor du mit der Installation beginnst.

**Anmerkung:** Zum Einbau des Netzteils in deinen PC brauchst du einen Schraubendreher. Benutze nur die mitgelieferten Schrauben aus dem Lieferumfang, da diese das richtige Gewinde haben.

**Achtung:** Verwende nur den mitgelieferten Kabelsatz! Das Verwenden von nicht mitgelieferten Kabeln (z.B. Kabel älterer Netzteilserien) kann zu einem Defekt führen!

#### **Baue dein altes Netzteil zunächst aus. Verfahre hierfür wie folgt:**

- Trenne deinen PC von allen vorhandenen Stromquellen und ziehe alle am PC angeschlossenen Kabel vorsichtig ab.
- Öffne das PC-Gehäuse und achte dabei auf die Anleitung des Herstellers.
- Trenne alle Stecker vom Mainboard sowie alle weiteren Komponenten wie FDD, HDD oder optischen Laufwerken. Achte bitte darauf, dass kein

Stecker des alten Netzteils mit einer Komponente verbunden ist.

- Entferne nun die Schrauben an der Rückseite des Netzteils und entnimm das Netzteil vorsichtig aus dem PC-Gehäuse. Achte hierbei besonders darauf, dass sich keine Kabel an Komponenten verfangen und diese beschädigen.

### **Der Einbau deines neuen be quiet! Pure Power 12 M Netzteils:**

- Setze das neue Netzteil nun an den vorgesehenen Platz im PC-Gehäuse und schraube es an der Rückseite mit den vier mitgelieferten Schrauben fest. Verwende keine übermäßige Kraft.
- Stecke den 20/24-Pin Stecker in die vorgesehene Buchse am Mainboard. Wenn du einen 24-Pin Anschluss hast, dann bringe die zusätzlichen 4 Pins in die richtige Position, bevor du den Stecker in die Buchse am Mainboard steckst. Klappe die zusätzlichen 4 Pins beim Einsatz eines Mainboard mit einem 20-Pin Stecker einfach zur Seite.
- Stecke nun den 12V-P4 oder P8-Stecker für die CPU in die vorgesehene Buchse auf dem Mainboard.

## **5. SICHERUNGSFUNKTIONEN**

Alle be quiet! Netzteile sind mit zahlreichen Sicherungsfunktionen ausgestattet. Diese schützen das Netzteil und die daran angeschlossenen Komponenten vor Beschädigungen. Sollte eine dieser Sicherungen auslösen, kommt es in den meisten Fällen zu einem Neustart oder zum Abschalten des Systems. In einem solchen Fall sollte der PC sofort auf einen möglichen Fehler überprüft werden. Hilfestellung zur Fehlersuche findest du im Kapitel „Fehlerbehebung“.

Die **Pure Power 12 M** Serie verfügt über folgende Sicherungsfunktionen:

### **OCP (Überstromschutz)**

Sollte die Last auf den einzelnen Leitungen mehr als das angegebene Limit betragen, wird das Netzteil automatisch abgeschaltet.

### **UVP (Unterspannungsschutz)**

Diese Sicherung löst aus, sobald die Spannung auf den Leitungen unter ein bestimmtes Limit fällt.

Das Netzteil wird in diesem Fall automatisch abgeschaltet.

### **OVP (Überspannungsschutz)**

Die Überspannungssicherung löst bei zu hoher Spannung auf den Leitungen aus und schaltet das Netzteil ab.

### **SCP (Kurzschlussicherung)**

Die Sicherung bei Kurzschluss im Sekundärteil des Netzteils verhindert einen Defekt am Netzteil und an den am Netzteil angeschlossenen Komponenten.

### **OTP (Temperatursicherung)**

Bei einer zu hohen Wärmeentwicklung im Netzteil schaltet sich das Netzteil sofort automatisch ab. Sie können es dann erst nach dem Abkühlen wieder einschalten. Versichere dich bitte, dass der PC über ausreichende Kühlung verfügt.

### **OPP (Überlastschutz)**

Diese Sicherung löst aus, sobald die gesamte Leistung, welche vom Netzteil abgenommen wird, die spezifizierte Höchstlast übersteigt. Dieser Fall kann eintreten, wenn das Netzteil nicht über genügend Leistung für das System verfügt (unterdimensioniert ist).

## **6. FEHLERBEHEBUNG**

**Beachte bitte:** Bei ATX-Systemen wird das Netzteil vom Mainboard aktiviert, um den PC zu starten. Prüfe daher bitte, entweder mit Hilfe des Mainboard- oder Gehäusehandbuchs, ob der Ein-/ Aus-Schalter korrekt verbunden wurde.

**Achtung:** Arbeiten an Stromquellen können zu lebensbedrohlichen Verletzungen führen. Bei Rauchspuren, beschädigten Kabeln und Einwirkung von Flüssigkeiten ist das Netzteil sofort vom Stromnetz zu trennen und danach nicht mehr in Betrieb zu nehmen. Schraube das Netzteil niemals auf. Im Inneren befinden sich Bauteile, die auch bei längerem Nichtgebrauch hohe Spannungen aufweisen können.

Lasse Reparaturen bitte nur von autorisiertem Fachpersonal durchführen!  
Ein Öffnen des Gerätes führt zum Garantieverlust.

### **Wenn das System bei installiertem Netzteil nicht ordnungsgemäß funktioniert, überprüfe bitte zuerst diese möglichen Fehlerquellen:**

- Überprüfe den korrekten und festen Sitz der Stromversorgungskabel zum Netzteil, sowie auch zur Steckdose. Idealerweise benutzt du eine separate Steckdose nur für das Computernetzteil.
- Prüfe, ob sämtliche Anschlüsse korrekt miteinander verbunden worden sind und korrigiere gegebenenfalls diese zum Beispiel bei einer Fehlpolung.

- Kontrolliere die Verbindung des Ein-/ und Aus-Schalters vom Gehäuse zum Mainboard. Halte bei Bedarf das Handbuch zu deinem Mainboard bereit. Schalte das Netzteil ein, indem du den Schalter auf Position "I" stellst und danach den Ein-/ Aus-Schalter am Gehäuse betätigst. Fahre mit dem nächsten Punkt fort, falls das Netzteil sich weiterhin nicht einschalten lässt.
- Überprüfe dein System auf mögliche Kurzschlüsse oder defekte Hardware, indem du den Rechner ausschaltest und alle nicht für den Start des Computers benötigten Geräte vom System trennst. Schalte ihn nun wieder ein. Wiederhole den Vorgang und schließe nach jedem Neustart eines der Geräte an, bis du den vermeintlichen Defekt gefunden hast. Sollte das Netzteil eines Kurzschlusses wegen nicht reagieren, warte bitte mindestens 5 Minuten mit dem erneuten Einschalten, da das Gerät mit einem Überlastungsschutz ausgestattet ist.

## 7. HÄUFIGE PROBLEME

### **Problem: Die ausgelesenen Spannungen (über BIOS oder UEFI) sind zu niedrig/hoch**

Wenn du im BIOS oder UEFI das Mainboard oder im Betriebssystem die Spannungen des Netzteils überprüfst, kann es vorkommen, dass diese falsch dargestellt werden. Dies liegt meist an der ungenauen Messung des Mainboards und muss nicht zwangsweise der Realität entsprechen.

### **Problem: Nach dem Einbau einer neuen Grafikkarte springt der PC nicht mehr an oder stürzt bei jeder Gelegenheit ab**

Das Netzteil ist zu schwach für deine Grafikkarte ausgelegt. Schau bitte vor dem Kauf in unserem PSU-Kalkulator unter [www.bequiet.com](http://www.bequiet.com) nach. Hier wird dir das richtige be quiet! Netzteil aus unserem Sortiment empfohlen.

### **Wichtiger Hinweis:**

Vergewissere dich bei Nichtfunktionieren des Netzteils bitte, dass du diese Betriebsanleitung vollständig durchgelesen hast und die genannten Probleme ausschließen kannst. Setze dich bitte mit unserem Kundenservice in Verbindung, falls die Probleme weiter bestehen.

## 8. ZUBEHÖR

Im Lieferumfang des Netzteils ist folgendes Zubehör enthalten:  
Kabelsatz für Kabelmanagement, Kaltgerätekabel, Bedienungsanleitung, Kabelbinder, Schrauben zur Netzteilbefestigung.



## 9. ENTSORGUNGSHINWEISE



Gebrauchte Elektro- und Elektronikgeräte dürfen gemäß europäischer Vorgaben\* nicht mehr zum unsortierten Siedlungsabfall gegeben werden. Sie müssen getrennt erfasst werden. Das Symbol der Abfalltonne auf Rädern mit Balken weist auf die Notwendigkeit der getrennten Sammlung hin.

Hilf auch du beim Umweltschutz mit und entsorge das Gerät ordnungsgemäß, wenn du es nicht weiter nutzen möchtest.

In Deutschland bist du gesetzlich\*\* verpflichtet, ein Altgerät einer vom unsortierten Siedlungsabfall getrennten Erfassung zuzuführen. Die öffentlichen Entsorgungsträger (Kommunen) haben hierzu Sammelstellen, an denen Altgeräte aus privaten Haushalten deines Gebietes für dich kostenfrei entgegengenommen werden. Möglicherweise holen die Entsorgungsträger die Altgeräte auch bei den privaten Haushalten ab. Informiere dich bitte auch über deinen lokalen Abfallkalender bei deiner Stadt oder Gemeindeverwaltung über die Möglichkeiten der Rückgabe oder Sammlung von Altgeräten.

\* Entspricht der Richtlinie des europäischen Parlaments und des Rates über Elektro- und Elektronik-Altgeräte

\*\* Entspricht dem Gesetz über das Inverkehrbringen, die Rücknahme und die umweltverträgliche Entsorgung von Elektro- und Elektronikgeräten (Elektro- und Elektronikgerätegesetz - ElektroG)

## 10. GARANTIE

- 10 Jahre Herstellergarantie für Endkonsumenten (nur Ersterwerb vom autorisierten be quiet!-Händler)
- Vorort austausch in den ersten 12 Monaten ab Kaufdatum vom autorisierten be quiet!-Händler

### **Vorort austausch nur innerhalb Deutschlands und Frankreichs.**

Der Austausch kann nur in dem Land erfolgen, in dem das Netzteil gekauft wurde. Alle eingehenden Rücksendungen werden von unserer Serviceabteilung geprüft. Falls sich ein Netzteil als fehlerfrei herausstellen sollte, wird es an dich zurückgeschickt. Darüber hinaus behalten wir uns vor, eine Prüfpauschale für den entstandenen Aufwand zu erheben.

Sollte an deinem be quiet!-Netzteil innerhalb der ersten 12 Monate nach Kaufdatum ein Defekt auftreten, wende dich bitte an unsere kostenfreie Hotline, um technische Details und Fragen zu klären. Besuche für weitere Details den Service-Bereich unserer Netzseite. Hier kannst du dich über die genauen Garantiebedingungen informieren.

Das Öffnen des Gerätes, Manipulationen oder bauliche Veränderungen jeglicher Art, sowie Beschädigungen durch äußere mechanische Einwirkungen führen zum totalen Garantieverlust. Die ausführlichen Garantiebedingungen können im Bereich "Service" unter [www.bequiet.com](http://www.bequiet.com) eingesehen werden. Es gelten unsere Allgemeinen Garantiebestimmungen, die du unter [www.bequiet.com](http://www.bequiet.com) im Internet abrufen kannst.

## **11. HERSTELLERANGABEN**

**Listan GmbH | Wilhelm-Bergner-Straße 11c | 21509 Glinde | Deutschland**  
Für weitere Unterstützung erreichst du uns innerhalb Deutschlands unter der unten stehenden kostenlosen Service-Hotline, montags bis freitags von 08:30 Uhr bis 18:00 Uhr.

Kostenlose Hotline: 0800 – 0736736

Fax: 040-7367686-69

E-Mail: [info@bequiet.com](mailto:info@bequiet.com)

Internet und PSU-Calculator: [www.bequiet.com](http://www.bequiet.com)

## 12. COPYRIGHT

- Der Inhalt dieser Dokumentation darf ohne vorherige schriftliche Genehmigung durch Listan in keiner Form, weder ganz noch teilweise, vervielfältigt, weitergegeben, verbreitet oder gespeichert werden.
- be quiet! ist eine eingetragene Marke der Firma Listan GmbH. Andere in dieser Dokumentation erwähnten Produkte- und Firmennamen können Marken oder Handelsnamen ihrer jeweiligen Eigentümer sein.
- Listan entwickelt entsprechend ihrer Politik die Produkte ständig weiter. Listan behält sich deshalb das Recht vor, ohne vorherige Ankündigungen jedem der in dieser Dokumentation beschriebenen Produkte Änderungen und Verbesserungen vorzunehmen.
- Listan ist unter keinen Umständen verantwortlich für den Verlust von Daten und Einkünften oder für jedweder besonderen, beiläufigen, mittelbaren oder unmittelbaren Schäden, wie immer diese auch zustande gekommen sind.
- Der Inhalt dieser Dokumentation wird so präsentiert, wie er aktuell vorliegt. Listan übernimmt weder ausdrücklich noch stillschweigend irgendeine Gewährleistung für die Richtigkeit oder Vollständigkeit des Inhalts dieser Dokumentation, einschließlich, aber nicht beschränkt auf die stillschweigende Garantie der Markttauglichkeit und der Eignung für einen bestimmten Zweck, es sei denn, anwendbare Gesetze oder Rechtsprechung schreiben zwingend eine Haftung vor. Listan behält sich das Recht vor, jederzeit ohne vorherige Ankündigung Änderungen an dieser Dokumentation vorzunehmen oder die Dokumentation zurückzuziehen.

## 1. INTRODUCTION

Nous vous remercions d'avoir choisi un bloc Pure Power 12 M de be quiet!. Avant la première mise en service, nous vous recommandons de lire attentivement ce manuel et d'en observer les consignes. Si vous avez d'autres questions, nous vous invitons à prendre contact avec notre service après-vente, dont vous trouverez les coordonnées dans la rubrique « Informations constructeur ».

## 2. CONSIGNES DE SÉCURITÉ



Avant la première mise en service, nous vous recommandons de lire attentivement ce manuel et d'en observer les consignes. C'est indispensable pour garantir le bon fonctionnement de votre alimentation Pure Power 12 M et ainsi vous donner entière satisfaction.

**Attention :** veuillez utiliser uniquement les câbles fournis avec votre alimentation. Utiliser d'autres câbles peut s'avérer dangereux et peut entraîner des défaillances.

Veillez à ne jamais ouvrir votre bloc d'alimentation. Les composants électroniques qui se trouvent à l'intérieur peuvent être soumis à de hautes tensions et mettre en danger votre sécurité. Nous vous rappelons que même une fois débranchés, les composants restent sous tension. C'est la raison pour laquelle seul du personnel habilité et qualifié est autorisé à ouvrir un bloc d'alimentation. Par ailleurs, nous vous rappelons que l'ouverture du bloc d'alimentation entraîne l'annulation de la garantie.

- Ne jamais manipuler un bloc d'alimentation avec les mains humides ou mouillées
- Ne pas insérer d'objet dans les orifices ou dans le ventilateur de l'alimentation
- Veuillez noter que votre bloc d'alimentation a été conçu pour fonctionner en intérieur, dans un environnement dépourvu d'humidité. L'utilisation de votre bloc d'alimentation en extérieur peut conduire à de sérieuses défaillances
- Ne manipulez pas votre bloc d'alimentation lorsqu'il est branché sur secteur. Dans ce cas, veuillez préalablement à mettre l'interrupteur du bloc en position «O» et/ou débranchez la prise secteur
- En cas de court-circuit, veuillez ne pas remettre en marche votre bloc d'alimentation

Veillez vous assurer que votre PC est suffisamment ventilé, en utilisant des ventilateurs additionnels. Avec les systèmes d'aujourd'hui, les alimentations ne peuvent plus assurer seules la dissipation de la chaleur à l'intérieur de votre PC.

Si vous souhaitez nettoyer votre bloc d'alimentation, veuillez le débrancher. Il est fortement déconseillé d'utiliser un chiffon humide ou des produits de nettoyage. Nettoyez uniquement l'extérieur du bloc d'alimentation à l'aide d'un chiffon sec. Nous vous rappelons que l'ouverture de votre bloc d'alimentation annule la garantie.

Avant la première utilisation de votre bloc d'alimentation, il est recommandé de le laisser à température ambiante une heure avant de le mettre en marche. Cela permettra d'éviter toute condensation à l'intérieur de votre bloc.

### 3. COMPATIBILITÉ

Les blocs d'alimentation Pure Power 12 M sont compatibles avec la plupart des spécifications des cartes mères et des alimentations :

- Intel ATX12V 3.1 Power Supply Design Guide Revision 2.1
- PCIe 5.1
- BTX Version 1.0a
- E-ATX Server Motherboards via 8-Pin Connector
- EPS12V Version 2.92
- Intel C6/C7 Status pour les nouvelles générations de processeurs
- Programme Energy Star 8.0 & Directive ErP

### 4. INSTALLATION DE VOTRE NOUVEAU BLOC D'ALIMENTATION

Nous vous invitons à lire le paragraphe « Consignes de sécurité » en préambule à l'installation de votre bloc d'alimentation.

**Remarque :** vous aurez besoin d'un tournevis pour effectuer l'installation de votre bloc d'alimentation. Utilisez exclusivement les vis livrées avec votre bloc car elles présentent le filetage requis.

**Attention :** veuillez utiliser uniquement les câbles fournis avec votre alimentation. Utiliser d'autres câbles peut s'avérer dangereux et peut entraîner des défaillances.

**Veuillez commencer par démonter votre ancien bloc d'alimentation, en suivant les recommandations ci-dessous :**

- Débranchez le PC et déconnectez avec précaution tous les câbles reliés au PC.
- Ouvrez le boîtier du PC en respectant les instructions du fabricant.
- Débranchez les connecteurs de la carte mère et des autres composants tels que les disques durs. Veillez à ce qu'aucun connecteur de l'ancienne alimentation ne soit relié à un composant.
- Retirez les vis se trouvant à l'arrière de l'alimentation et sortez-la avec précaution du boîtier PC. Pour ce faire, veillez à ce qu'aucun câble ne se prenne dans les composants et ne les endommage.

**Montage de votre nouveau bloc d'alimentation Pure Power 12 M :**

- Placez le nouveau bloc d'alimentation à l'emplacement prévu dans le boîtier et fixez-le sur la face arrière, à l'aide des quatre vis fournies. Veillez à n'exercer aucune pression excessive.
- Branchez le connecteur 20/24 broches dans la fiche correspondant à la carte mère. Si la carte mère est équipée en 24 broches, mettez les quatre broches additionnelles dans la position correcte et branchez le connecteur mâle dans le connecteur femelle de la carte mère. En cas d'utilisation d'une carte mère à connecteur 20 broches, rabattez simplement les 4 broches surnuméraires sur le côté.
- Branchez ensuite le connecteur 12V-P4/12V-P8 du processeur dans le connecteur femelle prévu à cet effet sur la carte mère.

## 5. SYSTÈMES DE SÉCURITÉ

Les blocs d'alimentation be quiet! sont équipés de nombreux systèmes de sécurité, qui sont conçus pour protéger votre bloc d'alimentation et vos composants. Dans la plupart des cas, si l'une des sécurités se déclenche, le système redémarre ou s'éteint complètement. Si c'est le cas, nous vous invitons à vérifier immédiatement les erreurs de votre PC. Vous pouvez vous reporter à la rubrique « Dépannage ».

La gamme Pure Power 12 M bénéficie des systèmes de sécurité suivants :

### **OCP (protection contre les surintensités)**

Si la charge subie par chaque rail dépasse la limite spécifiée, le bloc d'alimentation s'éteint automatiquement.

### **UVP (protection contre les sous-tensions)**

Cette sécurité se déclenche dès que la tension dans les circuits tombe en-dessous d'une certaine limite. Dans ce cas également, le bloc d'alimentation s'éteint automatiquement.

### **OVP (protection contre les surtensions)**

Cette sécurité se déclenche en cas de tension trop élevée sur les rails et met le bloc d'alimentation hors tension.

### **SCP (protection contre les courts-circuits)**

Le fusible qui protège les circuits secondaires du bloc d'alimentation permet de préserver l'alimentation et les composants qui lui sont raccordés.

### **OTP (protection contre la surchauffe)**

Si l'intérieur de l'alimentation atteint une température trop élevée, elle s'éteint automatiquement. La remise sous tension n'est possible qu'une fois le bloc d'alimentation refroidi. Veillez à ce que le refroidissement du PC soit suffisant.

## OPP (protection contre les surcharges)

Cette sécurité se déclenche dès que la puissance totale fournie par le bloc d'alimentation est plus élevée que la charge maximale spécifiée. Cela peut être le cas si le bloc d'alimentation ne fournit pas une puissance suffisante pour le système, si celle-ci est sous-dimensionnée.

## 6. DÉPANNAGE

**Remarque :** veuillez noter qu'avec un système ATX, l'alimentation est activée par la carte mère pour démarrer votre PC. Il convient donc de suivre le manuel d'utilisation de la carte mère et/ou du boîtier pour vérifier si l'interrupteur marche/arrêt est correctement câblé.

**Attention :** manipuler des éléments sous tension comporte un risque de blessures graves voire mortelles. Si vous constatez des traces de fumée, des câbles endommagés ou des dégâts provoqués par un liquide, il faut débrancher immédiatement le bloc d'alimentation du secteur et ne plus l'utiliser.

Veuillez confier la réparation de votre boîtier exclusivement à un personnel habilité.

L'ouverture du bloc d'alimentation entraîne l'annulation de la garantie.

Si, suite à l'installation de votre nouveau bloc d'alimentation, votre configuration ne fonctionne pas correctement, nous vous recommandons de vérifier les points suivants :

- Vérifiez que le cordon d'alimentation électrique est correctement et fermement branché au bloc d'alimentation ainsi qu'à la prise secteur. Veuillez, si possible, utiliser une prise séparée pour brancher le bloc d'alimentation de l'ordinateur.
- Vérifiez que tous les connecteurs sont correctement enfoncés et corrigez les erreurs éventuelles comme les inversions de polarité.
- Contrôlez le branchement de l'interrupteur marche/arrêt du boîtier à la carte mère. N'hésitez pas à lire le manuel d'utilisation de votre carte mère en cas de nécessité.
  
- Mettez le bloc d'alimentation sous tension en plaçant l'interrupteur sur la position « I » et en actionnant l'interrupteur marche/arrêt du boîtier. Si le bloc d'alimentation ne s'allume toujours pas, passez au point suivant.
- Vérifiez que le système ne présente pas d'éventuels courts-circuits et qu'il n'y a aucun matériel défectueux. Pour ce faire, éteignez l'ordinateur et débranchez du système tous les appareils qui ne sont pas nécessaires au démarrage de

l'ordinateur. Remettez le système sous tension. Après chaque redémarrage réussi, répétez cette procédure en ayant rebranché l'un des appareils, jusqu'à identifier celui qui provoque la panne. Si le bloc d'alimentation ne réagit pas en raison d'un court-circuit, veuillez attendre au moins cinq minutes avant de redémarrer l'ordinateur, car votre bloc d'alimentation est doté d'un système de protection contre les surcharges.

## 7. PROBLEMES LES PLUS FRÉQUENTS

### **Problème : les tensions mesurées (par le BIOS/UEFI) sont trop basses/élevées**

Si vous mesurez les tensions du bloc d'alimentation au moyen du BIOS/UEFI de la carte mère ou sur le système d'exploitation, il est possible que les valeurs affichées soient inexactes. Ceci provient en général de l'imprécision de mesure de la carte mère et ne reflète pas forcément la réalité.

### **Problème : après le montage d'une nouvelle carte graphique, l'ordinateur ne démarre plus ou plante inopinément**

Suite à l'installation d'une nouvelle carte graphique plus performante sur votre



FR

Cet appareil  
et les câbles  
se recyclent

À DÉPOSER  
EN MAGASIN



OU

À DÉPOSER  
EN DÉCHÈTERIE



Points de collecte sur [www.quefairedemesdechets.fr](http://www.quefairedemesdechets.fr)

système, votre ordinateur ne démarre plus ou plante très régulièrement. Votre alimentation est très certainement sous dimensionnée. Avant votre achat, veuillez consulter notre configurateur sur [www.bequiet.com](http://www.bequiet.com), afin de vous assurer que votre bloc est suffisamment puissant. Le programme vous recommandera le bloc d'alimentation de la gamme be quiet! le plus approprié compte tenu de votre configuration.

**Remarque :** si les problèmes persistent, nous vous invitons à prendre contact avec notre service après-vente.

## 8. ACCESSOIRES

Votre bloc d'alimentation est livré avec les accessoires suivants : jeu de câbles pour une gestion modulaire des câbles ; câble avec terre ; instructions d'utilisation ; attache-câbles ; vis de fixation du bloc d'alimentation.



## 9. CONSIGNES D'ÉLIMINATION ET DE RECYCLAGE

En application des directives européennes\*, les appareils électriques et électroniques usagés ne peuvent plus être jetés avec les déchets ménagers. Ils doivent être triés, comme l'indique le symbole du conteneur à déchets barré d'une croix.



Contribuez vous aussi à la protection de l'environnement. Lorsque votre appareil n'est plus utilisable, conformez-vous aux règles en vigueur dans votre localité et ne jetez pas votre appareil avec les déchets ménagers. Pour plus d'informations sur les lieux de collecte des équipements usagés, nous vous invitons à contacter votre service de traitement des déchets ménagers, votre mairie ou le magasin où vous avez acheté votre produit.

\* Directive 2002/96/EG du Parlement et du Conseil Européens en date du 27 janvier 2003 sur les appareils électriques et électroniques usagés (DEEE)

\*\* Loi sur la mise en circulation, la collecte et l'élimination non polluante des appareils électriques et électroniques en date du 16 mars 2005

## 10. GARANTIE

10 ans de garantie constructeur pour le consommateur final (uniquement dans le cadre d'un achat initial auprès d'un distributeur agréé).

Nous vous rappelons par ailleurs que l'ouverture du bloc ainsi que toutes modifications techniques ou interventions extérieures entraînent l'annulation de la garantie.

Nous vous invitons à vous reporter à nos conditions générales de garantie, sur le site [www.bequiet.com](http://www.bequiet.com). Vous trouverez l'ensemble des coordonnées ci-dessous.

## 11. INFORMATIONS CONSTRUCTEUR

be quiet! est une marque appartenant à

**Listan GmbH | Wilhelm-Bergner-Straße 11c | 21509 Glinde | Allemagne**

Si vous avez besoin de joindre notre service après-vente, vous pouvez contacter notre numéro vert :

Tél. 0800 469 209

ou envoyer un courriel sur [service@be-quiet.fr](mailto:service@be-quiet.fr)

Internet et configurateur : [www.bequiet.com](http://www.bequiet.com)

## 12. DROITS D'AUTEUR

- Le contenu de la présente documentation ne peut être reproduit, distribué, diffusé ou enregistré d'aucune manière que ce soit, ni en tout ni en partie, sans l'autorisation préalable écrite de Listan GmbH.
- be quiet! est une marque déposée de la société Listan GmbH. Les autres noms de produits et de sociétés mentionnés dans la présente documentation peuvent être des marques ou des noms commerciaux appartenant à leurs propriétaires respectifs.
- Listan procède au développement continu de ses produits conformément à sa politique. Par conséquent, Listan se réserve le droit de procéder à des modifications et améliorations de chacun des produits décrits dans la présente documentation, sans aucun préavis.
- Listan décline toute responsabilité en cas de pertes de données et de revenus, de dommages particuliers, accessoires, directs ou indirects, quels qu'ils soient, et quelle qu'en soit l'origine.
- La présente documentation décrit le produit sous sa forme actuelle. Listan décline toute responsabilité expresse ou tacite pour l'exactitude et l'intégralité du contenu de la présente documentation, y compris, sans s'y limiter, de la garantie tacite de l'aptitude à la commercialisation et à un usage défini, sauf dans les cas où la législation applicable ou la jurisprudence exigent une telle responsabilité. Listan se réserve le droit de procéder à tout moment et sans avis préalable à des modifications de la présente documentation, ou à son retrait.

## 1. WPROWADZENIE

Cieszymy się, że zdecydowali się Państwo na zamontowanie w swoim komputerze zasilacza be quiet! serii Pure Power 12 M. Proszę przeczytać informacje zawarte w niniejszej instrukcji obsługi przed instalacją. Dalsze pytania prosimy kierować do pracowników Działu Obsługi Klienta – patrz dane kontaktowe, punkt Dane producenta.

## 2. WSKAZÓWKI DOTYCZĄCE BEZPIECZEŃSTWA

Przed pierwszym uruchomieniem proszę zastosować się do wszystkich punktów niniejszej instrukcji. Tylko wtedy zapewniona jest niezakłócona oraz długotrwała praca zasilacza Pure Power 12 M.



**Uwaga:** Należy używać wyłącznie dostarczonego zestawu kabli. Używanie kabli innych niż dostarczone (np. kabli starszych serii zasilaczy) może doprowadzić do usterki!

Nigdy nie należy otwierać obudowy zasilacza, gdyż wbudowane części elektroniczne wytwarzają niebezpieczne wysokie napięcia. Również po odłączeniu od sieci części zasilacza mogą wytwarzać wysokie napięcie, dlatego może on zostać otworzony jedynie przez autoryzowany personel fachowy.

**Otworzenie urządzenia powoduje wygaśnięcie gwarancji.**

- Nie należy włączać urządzenia mokrymi lub wilgotnymi rękami.
- Nie należy wtykać innych przedmiotów w otwór wentylatora zasilacza.
- Należy mieć na względzie, że uruchamianie zasilacza przewiduje się w pomieszczeniach o niskiej wilgotności powietrza. Praca zasilacza na zewnątrz prowadzi do jego poważnych uszkodzeń.
- Nie należy manipulować przy zasilaczu, gdy jest on podłączony do sieci. Należy ustawić przełącznik sieciowy na pozycję „0” oraz/lub wyjąć wtyczkę z gniazdka.
- W razie zwarcia w urządzeniu należy zdemontować kabel sieciowy i nie uruchamiać ponownie zasilacza.

Komputer nie może być używany bezpośrednio obok grzejnika lub innego źródła ciepła.

Należy zadbać o wystarczającą wentylację komputera przez zamontowanie dodatkowych wentylatorów. Przy dzisiejszych złożonych i wydajnych systemach sam zasilacz nie wystarczy już do odprowadzania ciepła wytwarzanego wewnątrz obudowy.

W celu oczyszczenia zasilacza należy go całkowicie odłączyć z sieci. Nie należy stosować wilgotnych ściereczek ani środków czyszczących. Należy wyczyścić zasilacz jedynie z zewnątrz suchą ściereczką. Przed uruchomieniem zasilacz powinien leżeć godzinę w temperaturze pokojowej, aby zapobiec utworzeniu się w nim skroplin.

### 3. KOMPATYBILNOŚĆ

Zasilacze be quiet! serii Pure Power 12 M są kompatybilne ze wszystkimi aktualnie stosowanymi specyfikacjami zasilaczy oraz płyt głównych, jak m.in.

- Intel ATX12V 3.1 Power Supply Design Guide rewizja 2.1
- PCIe 5.1
- BTX wersja 1.0a
- płyty główne E-ATX Server z 8-pinowym konektorem
- EPS12V wersja 2.92
- nowa generacja procesorów Intel C6/C7
- wytyczne Energy Star 8.0
- dyrektywa ErP

### 4. INSTALACJA NOWEGO ZASILACZA

Przed rozpoczęciem instalacji należy przeczytać punkt „Wskazówki bezpieczeństwa”.

**Uwaga:** Do zamontowania zasilacza w komputerze potrzebny będzie śrubokręt. Należy użyć śrub dostarczonych wraz z zasilaczem, gdyż posiadają one odpowiednie gwinty.

**Uwaga:** Należy używać wyłącznie dostarczonego zestawu kabli. Używanie kabli innych niż dostarczone (np. kabli starszych serii zasilaczy) może doprowadzić do usterki!

**Najpierw należy wymontować stary zasilacz. W tym celu należy postępować następująco:**

- Odłączyć komputer od wszystkich źródeł prądu, a następnie ostrożnie wyciągnąć wszystkie kable podłączone do komputera.
- Następnie otworzyć obudowę komputera, stosując się do instrukcji producenta.
- Odłączyć wszystkie wtyczki od płyty głównej i wszystkich innych komponentów, jak stacja dyskiety, dysk twardy oraz napędy optyczne. Upewnić się, iż żadna wtyczka starego zasilacza nie jest połączona z żadnym komponentem systemu. Teraz wyciągnąć śruby z tyłu zasilacza i ostrożnie go wyjąć z obudowy komputera.

Zwrócić przy tym szczególną uwagę na to, aby kable nie wplątały się w komponenty systemu i nie uszkodziły ich.

### **Montaż nowego zasilacza be quiet! Pure Power 12 M:**

- Umieścić nowy zasilacz w odpowiednim miejscu wnętrza obudowy i przymocować jego tylną stronę czterema dostarczonymi śrubami. Nie należy stosować nadmiernej siły.
- Włożyć 20/24-pinową wtyczkę w odpowiednie gniazdo na płycie głównej. Jeżeli dostępne jest przyłącze 24-pinowe, przed włożeniem wtyczki do gniazda na płycie głównej ustawić 4 dodatkowe piny we właściwej pozycji. W przypadku użycia płyty głównej z wtyczką 20-pinową należy odchylić 4 dodatkowe piny na bok.
- Teraz włożyć wtyczkę 12V-P4/ 12V-P8 zasilającą jednostkę CPU w odpowiednie gniazdo na płycie głównej.

## **5. FUNKCJE BEZPIECZEŃSTWA**

Wszystkie zasilacze be quiet! wyposażone są w liczne funkcje bezpieczeństwa. Mają one chronić zasilacz i podłączone do niego komponenty przed uszkodzeniami. Po uaktywnieniu dowolnego z tych zabezpieczeń w większości przypadków dochodzi do ponownego uruchomienia lub wyłączenia systemu.

W takim przypadku należy sprawdzić komputer pod kątem możliwych błędów.

Pomoc w wyszukiwaniu błędów znajduje się w rozdziale „Usuwanie usterek“.

Seria Pure Power 12 M dysponuje następującymi funkcjami bezpieczeństwa:

### **OCP (Zabezpieczenie nadmiarowo-prądowe)**

Zasilacz wyłącza się automatycznie, jeżeli obciążenie pojedynczych linii przekracza podany limit.

### **UVP (Zabezpieczenie niedomiarowo-napięciowe)**

To zabezpieczenie uaktywnia się, gdy tylko napięcie na liniach spadnie poniżej pewnej granicy. Zasilacz zostanie w tym przypadku automatycznie wyłączony.

### **OVP (Zabezpieczenie nadmiarowo-napięciowe)**

Zabezpieczenie nadmiarowo-napięciowe uaktywnia się przy zbyt wysokim napięciu liniowym i powoduje wyłączenie zasilacza.

### **SCP (Zabezpieczenie zwarciovowe)**

Zabezpieczenie zwarciovowe w części wtórnej zasilacza zapobiega uszkodzeniu zasilacza oraz podłączonych do niego komponentów.

### **OTP (Zabezpieczenie temperaturowe)**

W przypadku wytwarzania zbyt dużego ciepła w zasilaczu wyłącza się on natychmiast automatycznie. Dopiero po schłodzeniu zasilacz może zostać ponownie włączony. Proszę się upewnić, czy Państwa komputer wyposażony jest w wystarczający system chłodzenia.

### **OPP (Zabezpieczenie przeciążeniowe)**

To zabezpieczenie uaktywnia się, gdy tylko całkowita moc pobierana od zasilacza jest wyższa, niż podane w specyfikacji obciążenie maksymalne. Taki przypadek może mieć miejsce, gdy zasilacz nie dysponuje mocą wystarczającą dla systemu (jest niedowymiarowany).

## **6. USUWANIE USTEREK**

**Uwaga:** W celu uruchomienia komputera w przypadku systemów ATX zasilacz jest włączany przez płytę główną. Dlatego proszę się upewnić, z pomocą podręcznika użytkownika płyty głównej lub obudowy, czy włącznik/wyłącznik został poprawnie podłączony.

**Uwaga:** Praca przy źródłach prądu może prowadzić do urazów zagrażających życiu. W razie wystąpienia smug dymu, uszkodzenia kabli oraz kontaktu z substancjami ciekłymi należy natychmiast wyłączyć zasilacz z sieci i nie uruchamiać go ponownie. Nigdy nie należy rozkręcać zasilacza. Wewnątrz zasilacza znajdują się elementy, które mogą wykazywać wysokie napięcia również po długiej przerwie w użytkowaniu.

**Naprawy mogą być wykonywane tylko przez autoryzowany personel specjalistyczny. Otworzenie urządzenia prowadzi do utraty gwarancji.**

Jeżeli system z zainstalowanym zasilaczem nie funkcjonuje prawidłowo, należy sprawdzić najpierw poniższe możliwe przyczyny błędów:

- Proszę sprawdzić, czy kabel zasilania jest prawidłowo i trwale podłączony do zasilacza oraz do gniazdka. Zalecamy używanie odrębnego gniazdka tylko dla zasilacza komputera.
- Proszę się upewnić, czy wszystkie łącza zostały prawidłowo ze sobą połączone i ewentualnie skorygować błędy, np. w przypadku nieumyślnej zamiany kierunków kabla.
- Proszę sprawdzić połączenie włącznika/wyłącznika obudowy z płytą główną. W razie potrzeby warto mieć pod ręką podręcznik użytkownika płyty głównej! Włączyć zasilacz przez ustawienie przełącznika na pozycji „I” oraz przyciśnięcie włącznika/wyłącznika na obudowie. Jeżeli zasilacz w dalszym ciągu nie został włączony, proszę przejść do następujących punktów.
- Proszę sprawdzić, czy w systemie nie występują ewentualne zwarcia lub uszkodzony sprzęt. W tym celu należy wyłączyć komputer i odłączyć wszystkie

urządzenia, które nie są konieczne przy starcie komputera. Następnie proszę ponownie włączyć komputer. Należy powtórzyć tę czynność, podłączając po każdym ponownym uruchomieniu jedno z urządzeń, do momentu znalezienia usterki. Jeżeli zasilacz nie reaguje z powodu zwarcia, proszę odczekać przynajmniej 5 minut zanim zostanie ponownie włączony, gdyż urządzenie jest wyposażone w zabezpieczenie przeciążeniowe.

## 7. CZĘSTE PROBLEMY

### **Problem: Odczytane (przez Bios/UEFI) napięcia są zbyt niskie/wysokie**

W przypadku kontroli napięć zasilacza w BIOS/UEFI płyty głównej lub w systemie operacyjnym może czasami dochodzić do błędnego przedstawiania tych wartości. Jest to na ogół spowodowane niedokładnym pomiarem płyty głównej i niekonieczne odpowiada rzeczywistym wartościom.

### **Problem: Po zamontowaniu nowej karty graficznej komputer nie może zostać ponownie uruchomiony lub bardzo często zawiesza się**

W systemie została wbudowana nowa, bardziej wydajna karta graficzna. Komputer nie może zostać ponownie uruchomiony lub zawiesza się przy najmniejszym obciążeniu. Zasilacz jest zbyt słaby dla nowej karty graficznej. Przed zakupem proszę sprawdzić wymagania sprzętowe w naszym konfiguratorze Watt na stronie [www.bequiet.com](http://www.bequiet.com). Tu znajdują Państwo właściwy zasilacz be quiet! z naszego asortymentu.

### **Ważna wskazówka:**

Jeżeli problemy nie zniknęły, prosimy o niezwłoczny kontakt z naszym Działem Obsługi Klienta.

## 8. AKCESORIA

W skład zestawu zasilacza wchodzi następujące akcesoria: zestaw modularnych kabli, kabel zasilający, instrukcja obsługi, opaski do przewodów, śruby do zamocowania zasilacza

## 9. WSKAZÓWKI DOTYCZĄCE RECYCLINGU



Zgodnie z europejskimi przepisami\* niedozwolone jest wyrzucanie używanych urządzeń elektrycznych oraz elektronicznych do zwykłych pojemników na śmieci. Muszą one zostać zebrane oddzielnie. Symbol pojemnika na śmieci na kółkach wskazuje na konieczność oddzielnego zbierania tych odpadów. Proszę wesprzeć ochronę środowiska i zadbać o to, aby urządzenie, którego nie chcą Państwo już używać, trafiło na specjalne wysypisko odpowiednie dla takich odpadów.

Ustawowo\*\* są Państwo zobowiązani do przekazywania starych urządzeń na specjalne dla tych celów wysypisko. Podmioty odpowiedzialne w świetle prawa publicznego za przetwarzanie odpadów (gminy) stworzyły w tym celu specjalne punkty zbioru, w których stare urządzenia pochodzące z gospodarstw prywatnych danego obszaru są bezpłatnie przyjmowane. W niektórych przypadkach podmioty prawne odpowiedzialne za przetwarzanie odpadów odbierają od gospodarstw prywatnych stare urządzenia również bezpośrednio.

Proszę zasięgnąć informacji dotyczących lokalnego kalendarza zbierania odpadów lub też dostępnych w regionie możliwości zwrotu lub zbioru starych urządzeń.

\* Zgodne z Dyrektywą Parlamentu Europejskiego i Rady Europejskiej w sprawie zużytego sprzętu elektrycznego i elektronicznego (WEEE)

\*\* Dostosowane do Ustawy o wprowadzeniu do obiegu, odbiorze i bezpiecznym dla środowiska przetwarzaniu sprzętu elektrycznego i elektronicznego (Ustawa o sprzęcie elektrycznym i elektronicznym - ElektroG).

## 10. GWARANCJA

- Produkt objęty jest 10-letnią gwarancją producenta dla klienta końcowego.
- Roszczenia gwarancyjne mogą być rozpatrywane tylko i wyłącznie po dołączeniu dowodu zakupu (faktura/paragon) od autoryzowanego dystrybutora be quiet! Przechowuj paragon w bezpiecznym miejscu.
- Otwarcie urządzenia, jakiegokolwiek manipulacje, modyfikacje techniczne i szkody wynikające z zewnętrznej siły mechanicznej powodują utratę gwarancji.
- Szczegółowe warunki gwarancji, dostępne są w zakładce Serwis/Warunki gwarancji na stronie głównej [www.bequiet.com](http://www.bequiet.com).

Chcesz poznać warunki współpracy, szczegóły na [www.bequiet.com](http://www.bequiet.com)



## 11. DANE PRODUCENTA

**Listan GmbH | Wilhelm-Bergner-Straße 11c | 21509 Glinde | Niemcy**

Międzynarodowa infolinia:

Tel. 0049 40 736 7686 - 44, Fax 0049 40-7367686-69

e-mail: service@be quiet.com

**Kontakt w jęz. polskim:**

Poniedziałek – Piątek 9:00 – 17:00

Listan Poland Sp. z o.o.

ul. Drzeworytników 66

01-385 Warszawa

Tel. 22 664 20 58

e-mail:serwis@listan.pl

## 12. PRAWA AUTORSKIE

- Zabronione jest powielanie, przekazywanie, rozpowszechnianie lub zapis treści tej dokumentacji w dowolnej formie w całości lub częściowo bez uprzedniego pisemnego zezwolenia firmy Listan.
- be quiet! jest zarejestrowaną marką firmy Listan GmbH. Inne wymienione w niniejszej dokumentacji produkty oraz nazwy firm mogą stanowić marki lub nazwy handlowe konkretnych właścicieli.
- Listan stale rozwija produkty zgodnie z polityką firmy. Z tego powodu Listan zastrzega sobie prawo do dokonywania zmian i udoskonaleń każdego z opisanych w niniejszej dokumentacji produktów, bez wcześniejszego uprzedzenia.
- Listan nie ponosi w żaden sposób odpowiedzialności za stratę danych i dochodów, a także za szczególne, przypadkowe, pośrednie lub bezpośrednie szkody, niezależnie od drogi ich powstania.
- Treść niniejszej dokumentacji jest zaprezentowana zgodnie z aktualnym stanem. Listan nie ponosi wyraźnej ani domniemanej odpowiedzialności za prawidłowość i kompletność treści niniejszej dokumentacji, włącznie, jednak bez ograniczenia do domniemanej gwarancji wartości handlowej oraz przydatności do konkretnego celu, chyba że stosowne ustawodawstwo lub sądownictwo nakazują przymusową odpowiedzialność. Listan zastrzega sobie prawo do dokonania zmian w niniejszej dokumentacji lub jej wycofania bez uprzedniego zawiadomienia.

## 1. INTRODUCCIÓN

Gracias por haber escogido un bloque de alimentación be quiet! de la serie Pure Power 12 M para su ordenador. Antes de usar el dispositivo por primera vez, siga todos los puntos de este manual. Si tiene más dudas, consulte a nuestro servicio de atención al cliente. Para ello, vea los datos de contacto del punto Datos del fabricante.

## 2. INDICACIONES DE SEGURIDAD

Sólo así podremos garantizarle un correcto funcionamiento del bloque de alimentación y quedará plenamente satisfecho con el Pure Power 12 M



Atención! Use sólo el conjunto de cables suministrado! El uso de otro tipo de cables (como por ejemplo, el de una fuente de alimentación más antigua) puede dañar la unidad!

- No abra nunca la cubierta del bloque de alimentación; las piezas electrónicas que este contiene generan altas tensiones peligrosas. Incluso una vez desenchufado, las piezas siguen generando alta tensión, por lo que sólo personal autorizado y especializado puede abrir el bloque de alimentación.
- La garantía deja de tener validez si se abre el dispositivo.
- No coja nunca el aparato en funcionamiento con las manos mojadas o húmedas.
- No introduzca objetos por los orificios ni la ventilación del bloque de alimentación.
- Procure que no haya un elevado grado de humedad atmosférica en el espacio interior donde use el bloque de alimentación. El uso del bloque de alimentación en exteriores provoca daños severos.

Nunca trabaje con la fuente de alimentación mientras esté conectada a la red. En este caso, fije siempre el interruptor de encendido en "0" y/o desconecte el enchufe de red.

Si se produce un cortocircuito en el aparato, retire el cable de alimentación y no vuelva a poner en funcionamiento el bloque de alimentación.

Procure suficiente ventilación en la caja del ordenador mediante otros ventiladores, puesto que ya no basta un bloque de alimentación sin más ayuda para disipar el calor producido en la caja de los complejos y potentes sistemas actuales.

En caso de que desee limpiar el bloque de alimentación, desenchúfelo totalmente y no use paños húmedos ni detergentes. Limpie el bloque de alimentación sólo por el exterior con ayuda de un paño seco. Abrir el aparato conlleva la anulación de la garantía.

Ponga el bloque de alimentación en funcionamiento cuando lleve una hora en un

entorno ventilado; de lo contrario, se podría condensar humedad en el bloque de alimentación.

### 3. COMPATIBILIDAD

Los bloques de alimentación de la serie Pure Power 12 M son compatibles con todas las especificaciones convencionales actuales de bloques de alimentación y placas base como:

- Intel ATX12V 3.1 Power Supply Design Guide, revisión 2.1
- PCIe 5.1
- BTX, versión 1.0a
- E-ATX Server Mainboards con conector de 8 pines
- EPS12V, versión 2.92
- Estado de Intel C6/C7 de la nueva generación de procesadores
- Directivas Energy Star 8.0 & Directiva ErP

### 4. INSTALACIÓN DE SU NUEVO BLOQUE DE ALIMENTACIÓN

Lea el punto „Indicaciones de seguridad“ antes de comenzar con la instalación.

**Observación:** para montar el bloque de alimentación en el PC, necesita un destornillador. Utilice sólo los tornillos suministrados ya que disponen de la rosca correcta.

**Atención:** Use sólo el conjunto de cables suministrado! El uso de otro tipo de cables (como por ejemplo, el de una fuente de alimentación más antigua) puede dañar la unidad!

**Primero, desmonte el antiguo bloque de alimentación. Para ello, proceda del siguiente modo:**

- Desconecte el PC de toda alimentación eléctrica y desenchufe con cuidado todos los cables conectados al PC.
- Abra la caja del PC siguiendo las instrucciones del manual del fabricante.
- Desenchufe todos los conectores de la placa base, así como todos los componentes restantes como FDD, HDD o unidades ópticas. Compruebe que los conectores del bloque de alimentación antiguo no estén conectados a ningún componente.
- Ahora extraiga los tornillos de la parte trasera del bloque de alimentación y retire con cuidado el bloque de alimentación de la caja del PC. Preste especial atención a que no se enganchen cables en los componentes y los dañen.

## **Montaje del nuevo bloque de alimentación be quiet! Pure Power 12 M:**

- Coloque ahora el nuevo bloque de alimentación en el lugar previsto en la caja del PC, y atorníllelo a la parte trasera con los cuatro tornillos suministrados. No aplique demasiada fuerza para ello.
- Inserte el conector de 20/24 pines en la toma prevista para ello de la placa base. Si dispone de una conexión de 24 pines, coloque los 4 pines adicionales en la posición correcta antes de insertar el conector en la toma de la placa base. Si usa una placa base con un conector de 20 pines, pliegue los 4 pines restantes al lado.
- Conecte ahora el conector de 12 V-P4 / 12 V-P8 para el CPU en la toma prevista sobre la placa base.

## **5. FUNCIONES DE FUSIBLE**

Todos los bloques de alimentación están equipados con numerosas funciones de fusible que sirven para que el bloque de alimentación y todos los componentes conectados estén protegidos frente a daños. Si uno de estos fusibles se activa, se produce generalmente un reinicio o una desconexión del sistema. En tal caso, se debe examinar inmediatamente el PC para comprobar si hay algún error. En el capítulo „Solución de errores“ encontrará ayuda para los fallos.

La serie Pure Power 12 M dispone de las siguientes funciones de fusible:

### **OCP (protección contra sobrecorriente)**

Cuando la carga sobre cada una de las líneas es superior al límite indicado, el bloque de alimentación se desconecta automáticamente.

### **UVP (protección contra subtensión)**

Este fusible se activa cuando la tensión de las líneas es inferior a un límite determinado. En este caso, el bloque de alimentación se desconecta automáticamente.

### **OVP (protección contra sobretensión)**

El fusible contra sobretensión se activa cuando la tensión es demasiado alta en las líneas y desconecta el bloque de alimentación.

### **SCP (fusible contra cortocircuitos)**

El fusible evita, en caso de cortocircuito en la pieza secundaria del bloque de alimentación, un defecto en el bloque de alimentación y en los componentes conectados a este.

### **OTP (fusible para la temperatura)**

Cuando se genera una temperatura demasiado alta en el bloque de alimentación,

este se apaga solo de inmediato. Puede conectarlo de nuevo cuando se haya enfriado. Asegúrese de que el PC esté equipado con suficiente refrigeración.

### **OPP (protección contra sobrecarga)**

Este fusible se activa en cuanto toda la potencia absorbida por el bloque de alimentación supera la carga máxima especificada. Este caso puede darse si el bloque de alimentación no dispone de suficiente potencia para el sistema (es decir, está subdimensionado).

## **6. SOLUCIÓN DE ERRORES**

**A tener en cuenta :** En los sistemas ATX, la placa base activa el bloque de alimentación para iniciar el PC. Por lo tanto, compruebe si el interruptor de encendido/apagado está bien conectado con ayuda del manual de la placa base o la caja.

**Atención :** Manipular fuentes de energía puede provocar lesiones mortales. Si hay indicios de humo, cables dañados o líquidos, desenchufe inmediatamente el bloque de alimentación y no vuelva a ponerlo en funcionamiento.

No desatornille nunca el bloque de alimentación. En el interior hay piezas que pueden presentar tensiones altas incluso tras un largo período de inactividad. Encargue las reparaciones sólo a personal especializado autorizado. Abrir el aparato conlleva la anulación de la garantía.

### **Si el sistema no funciona correctamente con el bloque de alimentación instalado, compruebe primero las siguientes posibles causas de error :**

- Compruebe que el cable de alimentación esté enchufado correctamente al bloque de alimentación y a la toma de corriente. A ser posible, utilice una toma diferente para el bloque de alimentación del ordenador.
- Compruebe si todas las conexiones están unidas correctamente entre sí y corríjalas si es necesario, p. ej. en caso de falsa polaridad.
- Compruebe la conexión del interruptor de encendido / apagado de la caja a la placa base. Tenga preparado el manual de la placa base por si fuera necesario. Encienda el bloque de alimentación poniendo el interruptor en la posición „I“ y pulse el interruptor de encendido / apagado de la caja. Si sigue sin poder encender el bloque de alimentación, proceda con el siguiente punto.
- Compruebe su sistema por si hubiera cortocircuitos o hardware defectuoso; para ello, apague el equipo y desenchufe del sistema todos los dispositivos que no sean necesarios para iniciar el ordenador. Enciéndalo de nuevo. Repita este proceso y conecte uno de los dispositivos con cada reinicio hasta que encuentre el posible defecto. Si el bloque de alimentación no reacciona debido a un cortocircuito,

espere al menos 5 minutos antes de encenderlo de nuevo, dado que el dispositivo está equipado con una protección contra sobrecarga.

## 7. PROBLEMAS FRECUENTES

### **Problema: las tensiones leídas (a través del BIOS/UEFI) son demasiado bajas/altas.**

Si comprueba las tensiones del bloque de alimentación en el BIOS/UEFI de la placa base o en el sistema operativo, es posible que estén mal representadas. Esto suele deberse a la lectura imprecisa de la placa base y no tiene por qué corresponder a la realidad.

### **Problema: tras el montaje de una tarjeta gráfica nueva, el PC no arranca o se bloquea con frecuencia.**

El bloque de alimentación es demasiado débil para la tarjeta gráfica. Consulte nuestro configurador de vatios en [www.bequiet.com](http://www.bequiet.com) antes de la compra. Aquí se le recomendará el bloque de alimentación be quiet! adecuado de nuestra gama.

**Nota importante:** Si los problemas persisten, póngase en contacto inmediatamente con nuestro servicio de atención al cliente.

## 8. ACCESORIOS

En el pack de entrega del bloque de alimentación, se incluyen los siguientes accesorios: Juego de cables para gestión de cables, Cable de alimentación, Instrucciones de uso, Abrazadera para cables, Tornillos para fijar el bloque de alimentación

## 9. INDICACIONES PARA LA ELIMINACIÓN

Los dispositivos eléctricos y electrónicos usados ya no se pueden eliminar con la basura común sin clasificar, conforme a las normativas europeas\*. Se tienen que desechar por separado. El símbolo tachado del contenedor con ruedas indica la necesidad de tratar este residuo aparte.



Ayude a proteger el medio ambiente y encárguese de tirar este aparato en la basura especial cuando ya no lo quiera volver a usar.

En Alemania, está obligado\*\* por ley a desechar un dispositivo usado por separado de la basura convencional sin clasificar. Las empresas públicas encargadas de recoger la basura (municipios) han creado puntos de recogida donde se pueden reciclar los dispositivos domésticos usados de forma gratuita.

También es posible que estas empresas de recogida de basura vayan a buscar los dispositivos usados a los domicilios particulares.

Infórmese asimismo del calendario de recogida de basura local o, en el ayuntamiento, de las posibilidades de recogida de dispositivos usados en su zona.

\* Conforme con la Directiva del Parlamento Europeo y el Comité Europeo sobre desperdicio de equipos eléctricos y electrónicos

\*\* De acuerdo con la ley sobre ventas, el retorno y desecho sustentable de equipos eléctricos y electrónicos (Acto de Equipamiento Eléctrico y Electrónico - ElektroG)

## **10. GARANTÍA**

- 10 años de garantía del fabricante para el consumidor final (sólo para compra original de distribuidores autorizados de be quiet!).
- Se requerirá el justificante de compra original antes de poder ejercer el derecho de garantía. Guárdelo en un lugar seguro.
- La apertura del dispositivo, la manipulación y/o la modificación técnica de cualquier tipo, así como los daños por fuerzas mecánicas externas, anularán la garantía.
- Para conocer los términos y condiciones de la garantía en su totalidad, vaya al apartado de servicio técnico y condiciones de garantía en [www.bequiet.com](http://www.bequiet.com).

Se aplicarán nuestros términos y condiciones comerciales generales; para conocerlos, consulte [www.bequiet.com](http://www.bequiet.com) en Internet.

## 11. DATOS DEL FABRICANTE

**Listan GmbH | Wilhelm-Bergner-Straße 11c | 21509 Glinde | Alemania**

Si necesita más ayuda, póngase en contacto con nosotros, dentro de Alemania, a través del teléfono gratuito.

Tel. 0800 – 0736736. Fax 040-7367686-69

E-mail: [info@bequiet.com](mailto:info@bequiet.com).

Página web y calculadora de bloque de alimentación: [www.bequiet.com](http://www.bequiet.com)

## 12. COPYRIGHT

- El contenido del presente documento no se puede reproducir, transmitir, publicar ni guardar de ninguna forma, ya sea total o parcialmente, sin la autorización previa por escrito de Listan.
- be quiet! es una marca registrada de la empresa Listan GmbH. Los demás nombres de productos y empresas que se citen en el presente documento pueden ser marcas o nombres comerciales de sus respectivos propietarios.
- Listan, de acuerdo con su política, sigue avanzando en el desarrollo de sus productos. Por lo tanto, Listan se reserva el derecho de realizar modificaciones y mejoras, sin previo aviso, en los productos descritos en el presente documento.
- Bajo ningún concepto, Listan será responsable de la pérdida de datos o información ni de daños especiales, ocasionales, directos o indirectos, independientemente de cómo se produzcan.
- El contenido del presente documento se muestra tal como consta actualmente. Listan no asume ninguna garantía expresa ni tácita de la corrección o totalidad del contenido del presente documento, inclusive, pero no limitado a la garantía tácita de la aptitud comercial y la idoneidad para un fin determinado, a no ser que una ley aplicable o jurisprudencia prescriban una responsabilidad. Listan se reserva el derecho de realizar modificaciones en el presente documento en cualquier momento, y de retirarlo.



## 1. ВВЕДЕНИЕ

Мы рады, что вы выбрали блок питания Pure Power 12 M серии производства be quiet! для вашего ПК. Пожалуйста, прочтите и следуйте информации, представленной в данной инструкции. Если у вас возникнут дополнительные вопросы, пожалуйста, свяжитесь со службой поддержки пользователя. Контактную информацию вы найдете в разделе «Подробности о производителе».

## 2. ИНСТРУКЦИЯ ПО БЕЗОПАСНОСТИ

Корректная работа блока питания гарантирована только в том случае, если все пункты, указанные в инструкции, были соблюдены.



**Внимание:** используйте только поставляемый комплект кабелей. Использование других кабелей питания (напр. кабели из предыдущих серий блоков питания) может привести к повреждениям!

Никогда не открывайте корпус блока питания. Электронные компоненты внутри корпуса генерируют высокое напряжение, что опасно для человека. Даже после отключения питания от сети некоторые элементы сохраняют высокое напряжение. Блок питания может быть вскрыт только уполномоченным инженером.

### **Открытие корпуса устройства лишает гарантии.**

- Никогда не вставляйте посторонние предметы в отверстия/вентилятор блока питания.
- Обратите внимание, что блок питания предназначен для использования в закрытых помещениях в условиях без высокого уровня влажности. Использование блока питания на открытом воздухе может привести к серьезным повреждениям.
- Никогда не производите манипуляции с блоком питания, когда он подсоединен к электросети. Всегда устанавливайте выключатель питания в положение "0" и/или отсоедините вилку шнура питания.
- В случае короткого замыкания устройства, отсоедините сетевой кабель и не пользуйтесь устройством.

Убедитесь, что ваш компьютер не находится в непосредственной близости с отопительной системой или любым другим источником тепла.

Убедитесь в том, что ваш компьютер оснащен достаточной системой вентиляции с применением дополнительных вентиляторов; блок питания не способен эффективно охладить современные мощные системы без дополнительного охлаждения.

Если вы хотите очистить блок питания, отсоедините его от сети и никогда не используйте влажную ткань или чистящие средства. Очистите внешнюю часть

блока питания с помощью сухой ткани.

Перед использованием блока питания, дайте ему прогреться до комнатной температуры в течение часа, чтобы предотвратить конденсат.

### 3. СОВМЕСТИМОСТЬ

Серия блоков питания be quiet! Pure Power 12 M совместима со всеми последними требованиями к блокам питания и системным платам:

- Intel ATX12V 3.1 Power Supply Design Guide Revision 2.1
- PCIe 5.1
- BTX Version 1.0a
- E-ATX Server Motherboards через разъем 8-pin
- EPS12V версии 2.92
- Режим Intel C6/C7
- EnergyStar 8.0
- ErP

### 4. УСТАНОВКА НОВОГО БЛОКА ПИТАНИЯ

Пожалуйста, прочитайте раздел «Инструкция по безопасности» перед началом установки.

Примечание: вам потребуется отвертка, чтобы установить блок питания в компьютер. Используйте винты из комплекта поставки блока питания.

Внимание! Используйте только поставляемый комплект кабелей. Использование других кабелей питания (напр. кабели из предыдущих серий блоков питания) может привести к повреждениям!

**Сначала демонтируйте старый блок питания. Чтобы сделать это, выполните следующие действия:**

- Осторожно отсоедините компьютер от любых источников питания и отключите все кабели, подключенные к компьютеру.
- Откройте корпус ПК, внимательно следуя инструкции производителя.
- Отсоедините все разъемы от системной платы и других компонентов, таких как FDD, жесткие диски или оптические приводы. Убедитесь, что все кабели от старого блока питания отсоединены от компонентов системы.

**Для установки нового блока питания be quiet! Pure Power 12 M:**

- Установите новый блок питания в корпус ПК и прикрутите его к задней панели с помощью четырех прилагаемых винтов. Не прикладывайте чрезмерных усилий.
- Подключите разъем 20/24pin в разъем системной платы. Если используется 24-контактный разъем подключения, разместите оставшиеся 4 контакта в правильном положении перед установкой. Если используется плата с

20-контактным разъемом, отведите дополнительный 4-контактный разъем в сторону.

- Теперь подключите разъем 12V-P4 / 12V-P8 для процессора на системной плате.

## 5. ФУНКЦИИ БЕЗОПАСНОСТИ

Все блоки питания be quiet! оснащены полным спектром систем защиты. Они спроектированы так, чтобы защитить блок питания и компоненты системы от повреждений. Если одна из систем безопасности задействована, компьютер будет перезагружен или выключен.

За более подробной информацией обратитесь в раздел «Поиск неисправностей». Серия блоков питания Pure Power 12 M включает следующие системы защиты:

### **OSP (защита от перегрузки по току)**

Если нагрузка на отдельные цепи превышает лимит, питание БП автоматически отключается.

### **UVP (защита от подачи пониженного напряжения)**

Данная мера защиты срабатывает, если напряжение по цепям падает ниже определенного уровня.

В этом случае питание автоматически отключается.

### **OVP (защита от подачи повышенного напряжения)**

Защита от повышенного напряжения срабатывает, если напряжение в цепях слишком высокое, блок питания отключается.

### **SCP (защита от короткого замыкания)**

Предохранитель защищает вторичные цепи блока питания и подключенные компоненты от короткого замыкания.

### **OTP (защита от перегрева)**

В случае чрезмерного повышения температуры внутри блока питания, он автоматически выключится.

Вы не сможете его включить, пока температура не опустится до нормального уровня. Пожалуйста, убедитесь, что компьютер оснащен достаточным охлаждением.

### **OPP (защита от перегрузки)**

Данная система защиты срабатывает, если суммарная выходная мощность блока питания превышает указанный максимальный уровень. Это может произойти, если выходной мощности блока питания недостаточно для системы.

## 6. ПОИСК НЕИСПРАВНОСТЕЙ

### **Внимание:**

Если вы используете АТХ-систему, блок питания активируется через системную плату для загрузки ПК. Пожалуйста, обратитесь к описанию системной платы или корпуса, чтобы убедиться в правильности подключения выключателя.

**Предупреждение:** Существует опасность для жизни при работе с источником питания. Если вы заметили следы дыма, поврежденные кабели или воздействие жидкостей, немедленно отсоедините питание от сети и не используйте блок питания снова.

Никогда не открывайте корпус блока питания. Высоковольтные компоненты блока питания могут по-прежнему быть под напряжением даже после длительного времени с момента отключения.

**Пожалуйста, проводите все необходимые ремонтные работы, используя услуги авторизованного эксперта!**

**Открытие корпуса устройства приведет к потере гарантии.**

Если система, в которой установлен блок питания, не работает должным образом, проверьте возможные причины ошибок:

- Убедитесь, что сетевой кабель электропитания правильно и надежно подключен к порту питания и розетке. Оптимально использовать отдельную розетку для питания компьютера.
- Убедитесь, что все разъемы правильно подключены и внесите коррективы, например, в случае неправильной полярности.
- Проверьте соединение выключателя корпуса с системной платой. При необходимости обратитесь к инструкции системной платы! Включите блок питания, установив переключатель в положение “I” и затем нажав клавишу включения на корпусе. Если система не включается, перейдите к следующему пункту.
- Проверьте вашу систему на предмет короткого замыкания или неисправного оборудования, убедившись перед этим, что компьютер выключен и все некритичные компоненты системы отсоединены. Включайте компьютер. Повторите этот процесс, подключая одно устройство за другим при каждой новой загрузке, пока не обнаружите неисправный компонент. Если блок питания не включается из-за короткого замыкания, подождите не менее 5 минут, прежде чем включать снова.

## 7. ЧАСТЫЕ ПРОБЛЕМЫ

**Проблема: Выбранное напряжения (через BIOS/UEFI) слишком низкое/высокое**

Если вы проверили напряжение блока питания через BIOS/UEFI системной платы или операционной системы, отметим, что они могут отображаться некорректно.

Подобное может возникнуть из-за неточных измерений системной платы и необязательно означает, что есть проблема.

### **Проблема: После установки новой видеокарты компьютер не включается или часто зависает.**

Вы установили новую более производительную видеокарту в систему и теперь компьютер не загружается или завершает работу при минимальной загрузженности. Возможно, у блока питания недостаточно мощности для вашей видеокарты. Прежде чем сделать покупку, пожалуйста, обратитесь к нашей программе по расчету мощности блока питания на сайте [www.bequiet.com](http://www.bequiet.com). Этот инструмент поможет вам подобрать правильный блок питания be quiet!

### **Важно:**

Если проблема сохраняется, свяжитесь с нашим отделом обслуживания клиентов.

## **8. АКСЕССУАРЫ**

Комплектация блока питания включает следующие аксессуары: комплект кабелей, стяжки для кабелей, винты для установки блока питания.

## **9. ЗАМЕЧАНИЯ ПО УТИЛИЗАЦИИ**

Согласно европейским директивам\* больше не разрешается утилизировать использованные электрические и электронные устройства как несортированные бытовые отходы. Устройства должны собираться отдельно.



Используйте для утилизации мусорный бак с соответствующим обозначением.

Помогите защитить окружающую среду, убедитесь в том, что используете подходящую систему сбора, если решили утилизировать устройство.

В Германии по закону пользователь обязан\*\* утилизировать использованные приборы отдельно, а не вместе с бытовыми отходами. Воспользуйтесь местной службой по утилизации отходов, в соответствующем пункте сдачи вы сможете утилизировать частное устройство бесплатно. В некоторых случаях отходы могут быть забранными из дома соответствующей службой.

\* Соответствует требованиям директивы Европейского парламента и Совета ЕС об отходах электрического и электронного оборудования (WEEE).

\*\* Соответствует закону о продаже, возврате и утилизации электрического и электронного оборудования

## 10. ГАРАНТИЯ

10-летняя гарантия производителя для потребителей (для оборудования, купленного только у авторизованных представителей be quiet!).

- Для гарантийного случая потребуется оригинальная квитанция, подтверждающая факт покупки. Пожалуйста, храните ее в надежном месте.
- Открытие корпуса устройства, манипуляции и/или технические изменения любого рода и повреждения из-за внешнего механического воздействия приведет к потере гарантии.
- Подробно ознакомьтесь с условиями гарантии в разделе «Сервис/Гарантия» на нашей странице [www.bequiet.com](http://www.bequiet.com)
- Дата изготовления указана в серийном номере устройства в формате: XXXSYWWXXXXX где Y – цифра от 0 до 9 указывает год производства (0-2020, 1-2021, 2-2022, ..., 9-2029), WW - указывает неделю производства (от 01 до 53)

## 11. ПОДРОБНОСТИ О ПРОИЗВОДИТЕЛЕ

Listan GmbH | Wilhelm-Bergner-Straße 11c | 21509 Glinde | Германия  
Интернет-страница и калькулятор мощности БП: [www.bequiet.com](http://www.bequiet.com)

Уполномоченная организация на территории РФ :

ООО "БИКВАЭТ РУС"

Адрес: 109316, Россия, город Москва, проезд Остаповский, дом 5, строение 12, этаж 1, офис 113

Продукт произведен в КНР

Email: [info@be-quiet.ru](mailto:info@be-quiet.ru)

Для получения русскоязычной поддержки вы можете позвонить по телефонным номерам, указанным в разделе «Контакты» на нашем сайте.

## 12. АВТОРСКИЕ ПРАВА

- Вам не разрешается воспроизводить, раскрывать, публиковать или хранить содержимое этого документа или выдержки из него без предварительного письменного согласия Listan.
- be quiet! является зарегистрированной торговой маркой Listan GmbH. Другие продукты и названия компаний, упомянутые в данном руководстве, могут быть марками или зарегистрированными торговыми марками соответствующих владельцев.
- В соответствии с политикой компании, вся продукция Listan подвергается постоянному совершенствованию и развитию. Listan оставляет за собой право вносить любые изменения и улучшения в любой продукт, описанный в

этом документе, без предварительного уведомления.

- Ни при каких обстоятельствах Listan не несет ответственности за потери данных, прибыли или за любой конкретный, случайный, прямой или косвенный ущерб, когда он возникает.
- Содержание этой документации представляет текущее состояние. Listan не несет ответственности за правильность или полноту содержания данного документа.

Listan оставляет за собой право вносить изменения в документацию или изъять ее в любое время без предварительного уведомления.

## 1. ВСТУП

Ми раді, що ви обрали блок живлення серії Pure Power 12 M виробництва be quiet! для вашого комп'ютера.

Будь ласка, прочитайте та дотримуйтесь інформації, наведеної у даній інструкції. Якщо у вас виникнуть додаткові питання, будь ласка, зв'яжіться зі службою підтримки користувача. Контактну інформацію ви знайдете у розділі "Інформація про виробника".

## 2. ІНСТРУКЦІЯ З БЕЗПЕКИ

Коректна робота блоку живлення гарантована лише у тому випадку, якщо всі пункти, вказані в інструкції були дотримані.



**Увага:** використовуйте тільки комплект кабелів, що постачається разом з блоком живлення. Використання інших кабелів живлення (наприклад, кабелі від попередніх серій блоків живлення) можуть призвести до пошкоджень!

Не відкривайте корпус блоку живлення. Електронні компоненти всередині корпусу генерують високу напругу, небезпечну для людини. Навіть після відключення живлення від мережі деякі елементи тривалий час зберігають високу напругу. Блок живлення може бути відкритий лише уповноваженим інженером.

### **Відкриття корпусу пристрою позбавляє гарантії.**

- Ніколи не вставляйте сторонні предмети в отвори/вентилятор блоку живлення.
- Зверніть увагу, що блок живлення призначений для використання у закритих приміщеннях без високого рівня вологості. Використання блоку живлення на відкритому повітрі може призвести до серйозних пошкоджень.
- Ніколи не проводьте маніпуляції з блоком живлення, якщо він підключений до електромережі. Завжди встановлюйте вимикач живлення у положення «0» та/або від'єднайте вилку шнура живлення.

- У разі короткого замикання пристрою від'єднайте кабель живлення та не користуйтеся пристроєм.

Переконайтеся, що комп'ютер не знаходиться в безпосередній близькості до системи опалення або будь-якого іншого джерела тепла.

Переконайтеся, що ваш комп'ютер оснащений достатньою системою вентиляції із застосуванням додаткових вентиляторів; блок живлення не здатний ефективно охолодити сучасні потужні системи без додаткового охолодження.

Якщо ви хочете очистити блок живлення, від'єднайте його від мережі та ніколи не використовуйте вологу тканину або миючі засоби. Очистіть зовнішню частину блоку живлення сухою ганчіркою.

Перед використанням блоку живлення дайте йому прогрітися до кімнатної температури протягом години, щоб запобігти конденсату.

### **3. СУМІСНІСТЬ**

Серія блоків живлення be quiet! Pure Power 12 M сумісна з усіма останніми вимогами до блоків живлення та системних плат:

- Intel ATX12V 3.1 Power Supply Design Guide Version 2.1
- PCIe 5.1
- BTX Version 1.0a
- E-ATX Server Dual Motherboards через роз'єм 8-pin
- EPS12V версії 2.92
- Режим Intel C6/C7
- EnergyStar 8.0
- ErP

### **4. ВСТАНОВЛЕННЯ НОВОГО БЛОКУ ЖИВЛЕННЯ**

Будь ласка, прочитайте розділ «Інструкція з безпеки» перед початком встановлення.

Нотатка: буде потрібна викрутка, щоб встановити блок живлення в комп'ютер. Використовуйте гвинти з комплекту постачання блока живлення.

Увага! Використовуйте лише комплект кабелів, що постачається разом з блоком живлення. Використання інших кабелів живлення (напр. кабелі від попередніх серій блоків живлення) може призвести до пошкоджень!



## **Спершу демонуйте старий блок живлення. Щоб це зробити, виконайте такі дії:**

- Обережно від'єднайте комп'ютер від будь-яких джерел живлення та від'єднайте всі кабелі, підключені до комп'ютера.
- Відкрийте корпус ПК, уважно дотримуючись інструкцій виробника.
- Від'єднайте всі роз'єми від материнської плати та інших компонентів системи. Переконайтеся, що всі кабелі від старого блоку живлення від'єднані від компонентів системи.

## **Для встановлення нового блока живлення be quiet! Pure Power 12 M:**

- Встановіть новий блок живлення в корпус ПК і прикрутіть його до задньої панелі за допомогою чотирьох гвинтів з комплекту. Не докладайте надмірних зусиль.
- Підключіть роз'єм 20/24pin до роз'єму материнської плати. Якщо використовується 24-контактний роз'єм підключення, розмістіть 4 контакти, що залишилися, у правильному положенні перед встановленням. Якщо використовується плата з 20-контактним роз'ємом, відведіть додатковий 4-контактний роз'єм у бік.
- Тепер підключіть роз'єм 12V-P4/12V-P8 живлення процесора на материнській платі.

## **5. ФУНКЦІ БЕЗПЕКИ**

Усі блоки живлення be quiet! оснащені повним спектром систем захисту. Вони спроектовані так, щоб

захистити блок живлення та компоненти системи від пошкоджень. У випадку спрацювання однієї з систем безпеки комп'ютер буде перезавантажено або вимкнено. За більш детальною інформацією зверніться до розділу «Пошук несправностей». Серія блоків живлення Pure Power 12 M включає такі системи захисту:

### **OSP (захист від перевантаження по струму)**

Якщо навантаження на окремі ланцюги перевищує ліміт, живлення БЖ автоматично вимикається.

### **UVP (захист від заниженої напруги)**

Дана система захисту спрацьовує, якщо напруга по ланцюгах падає нижче за певний рівень. У цьому випадку живлення автоматично вимикається.

### **OVP (захист від підвищеної напруги)**

Захист від підвищеної напруги спрацьовує, якщо напруга в ланцюгах БЖ надто висока, блок живлення відключається.

### **SCP (захист від короткого замикання)**

Запобіжник захищає вторинні ланцюги блоку живлення та підключені компоненти від короткого замикання.

### **ОТР (захист від перегріву)**

У разі надмірного підвищення температури всередині блоку живлення він автоматично вимкнеться. Ви не зможете його увімкнути, доки температура не знизиться до нормального рівня. Будь ласка, переконайтеся, що комп'ютер забезпечений ефективним охолодженням.

### **ОРР (захист від перевантаження)**

Ця система захисту спрацьовує, якщо сумарна вихідна потужність блоку живлення перевищує вказаний максимальний рівень. Це може статися, якщо вихідна потужність блоку живлення недостатня для системи.

## **6. ПОШУК НЕСПРАВНОСТЕЙ**

Увага:

Якщо ви використовуєте систему АТХ, блок живлення активується через материнську плату для завантаження ПК. Будь ласка, зверніться до опису материнської плати або корпусу, щоб переконатися у правильності підключення.

**Попередження:** Існує небезпека для життя під час роботи з джерелом живлення. Якщо ви помітили сліди диму, пошкоджені кабелі або вплив рідин, негайно від'єднайте живлення від мережі та не використовуйте блок живлення знову.

Не відкривайте корпус блоку живлення. Високовольтні компоненти блоку живлення можуть перебувати під напругою навіть після тривалого часу з моменту відключення.

**Будь ласка, проводьте усі необхідні ремонтні роботи, використовуючи послуги авторизованого експерта! Відкриття корпусу пристрою призводить до втрати гарантії виробника.**

Якщо система, у якій встановлено блок живлення, не працює належним чином, перевірте можливі причини помилок:

- Переконайтеся, що кабель живлення правильно та надійно підключений до порту живлення та розетки. Оптимально використовувати окрему розетку для живлення комп'ютера.
- Переконайтеся, що всі роз'єми правильно підключені та внесіть корективи, наприклад, у випадку неправильної полярності.
- Увімкніть блок живлення, встановивши перемикач у положення «I» і натисніть клавішу увімкнення на корпусі. Якщо система не вмикається, перейдіть до наступного пункту.
- Перевірте вашу систему на предмет короткого замикання або несправного обладнання, переконавшись перед тим, що комп'ютер вимкнено і всі некритичні компоненти системи від'єднані. Спробуйте увімкнути комп'ютер. Повторюйте цей процес, підключаючи один пристрій за іншим під час кожного нового завантаження, доки виявите несправний компонент. Якщо блок живлення не вмикається через коротке замикання, зачекайте щонайменше 5 хвилин, перш ніж вмикати знову.

## 7. ЧАСТІ ПРОБЛЕМИ

### **Проблема: Вибрана напруга (через BIOS/UEFI) занадто низька/висока**

Якщо ви перевірили напругу блоку живлення через BIOS/UEFI материнської плати або операційної системи, зауважимо, що вони можуть відобразитися некоректно. Подібне може виникнути через неточність вимірів материнською платою та необов'язково означає, що є проблема.

### **Проблема: Після встановлення нової відеокарти комп'ютер не вмикається або часто зависає.**

Ви встановили нову більш продуктивну відеокарту в систему і тепер комп'ютер не завантажується або завершує роботу за мінімального завантаження. Можливо, блок живлення не має достатньої потужності для відеокарти. Перш ніж зробити покупку, будь ласка, зверніться до нашої програми з розрахунку потужності блоку живлення на сайті [www.bequiet.com](http://www.bequiet.com). Цей інструмент допоможе вам підібрати оптимальний блок живлення be quiet!

### **Важливо:**

Якщо блок живлення не працює, переконайтеся, що ви ретельно прочитали інструкцію та виключили всі згадані вище причини. Якщо проблема залишається, зверніться до нашого відділу обслуговування клієнтів.

## 8. АКСЕСУАРИ

Комплектація блоку живлення включає такі аксесуари: комплект кабелів, мережевий кабель, посібник з експлуатації, стяжки для кабелів, гвинти для встановлення блоку живлення.

## 9. ЗАУВАЖЕННЯ ПО УТИЛІЗАЦІЇ

Відповідно до європейських директив\* не дозволяється утилізувати використані електричні та електронні пристрої як несортвані побутові відходи. Пристрої мають збиратися окремо. Використовуйте для утилізації сміттевий бак із відповідним позначенням.



Допоможіть захистити довкілля, переконайтеся, що використовуєте відповідну систему збору, якщо вирішили утилізувати пристрій.

У Німеччині за законом користувач повинен утилізувати використані прилади окремо, а не разом із побутовими відходами. Скористайтеся місцевою службою утилізації відходів: у відповідному пункті здачі ви зможете утилізувати пристрій безкоштовно. У деяких випадках подібні відходи можуть бути забраними з дому відповідною службою..

\* Відповідає вимогам директиви Європейського парламенту та Ради ЄС про відходи електричного та електронного обладнання (WEEE).

\*\* Відповідає закону про продаж, повернення та утилізацію електричного та електронного обладнання.

## 10. ГАРАНТІЯ

- 10-річна гарантія виробника для споживачів (для обладнання, купленого тільки у авторизованих дилерів be quiet!).
- Для гарантійного звернення буде потрібна оригінальна квитанція, що підтверджує факт покупки. Будь ласка, зберігайте її у надійному місці.
- Відкриття корпусу пристрою, маніпуляції та/або технічні зміни будь-якого роду та пошкодження через зовнішній механічний вплив призводить до втрати гарантії.
- Детально ознайомтеся з умовами гарантії у розділі «Сервіс/Гарантія» на нашій сторінці [www.bequiet.com](http://www.bequiet.com)

## 11. ІНФОРМАЦІЯ ПРО ВИРОБНИКА

**Listan GmbH | Wilhelm-Bergner-Str. 11C | 21509 Glinde | Німеччина**

Інтернет-сторінка та калькулятор потужності БЖ: [www.bequiet.com](http://www.bequiet.com)

Уповноважена організація в Україні:

ТОВ «Біквایت Україна»

Адреса: 33028 Україна, м. Рівне, вул Міцкевича 32, кабінет 406

Продукт виготовлений у КНР

Email: [aftersales.CEE@bequiet.com](mailto:aftersales.CEE@bequiet.com)

## 12. АВТОРСЬКІ ПРАВА

Вам не дозволяється відтворювати, розкривати зміст, публікувати чи зберігати вміст цього документа

або витяг з нього без попередньої письмової згоди Listan.

be quiet! є зареєстрованим товарним знаком Listan GmbH. Інші продукти та назви компаній, згадані у цій інструкції, можуть бути марками або зареєстрованими торговими марками відповідних власників.

Відповідно до політики компанії, вся продукція Listan піддається постійному удосконаленню та розвитку. Listan залишає за собою право вносити будь-які зміни та вдосконалення у будь-який продукт, описаний у цьому документі, без попередження.

За жодних обставин Listan не несе відповідальності за втрати даних, прибутку або будь-які конкретні, випадкові, прямі або непрямі збитки у разі їх настання. Зміст цієї документації представляє поточний стан справ. Listan не несе відповідальності за правильність чи повноту змісту цього документа.

Listan залишає за собою право вносити зміни до документації або вилучити її у будь-який час без попереднього повідомлення.

### Limited Warranty

Per the terms and conditions of this limited warranty as given below, be quiet! warrants its new products to be free of defects resulting from faulty materials and faulty manufacturing for the length of the warranty period.

### I. APPLICABILITY

This non-transferable warranty is applicable to newly purchased, previously unopened be quiet! products and is enforceable by only the original consumer purchaser. Proof of purchase is required for warranty service, so should be retained. be quiet! does not provide warranty registration services.

### II. WARRANTY PERIOD

For eligible products, parts and labor are warranted for the applicable warranty period from the date of purchase. The applicable warranty period varies by product model, and is identified in your user documentation, on the product package, or as listed below. Should any of these warranty periods differ, the longest specified warranty period will apply. Replaced products will be warranted for the remainder of the original warranty period or thirty days, whichever is longer.

### III. EXCLUSIONS

The following are not covered by the warranty:

1. Normal wear and tear.

2. Any product which has been modified without permission from be quiet!, or on which the serial number or warranty sticker has been defaced, modified, or removed.

3. Damage, deterioration or malfunction resulting from:

Accident, abuse, misuse or improper use, neglect, connection to an improper voltage source, unauthorized product modification, or failure to follow instructions included with the product.

Fire, water, lightning, or other acts of nature.

Repair or attempted repair by anyone not authorized by be quiet!.

Shipping or transport damage (claims must be made with the carrier).

Any other cause which does not relate to a defect in materials or manufacturing workmanship.4. Cartons, cases, batteries, cabinets, tapes, accessories or other consumables used with this product.

5. be quiet!, Inc. does not warrant that this product will meet your requirements. It is your responsibility to determine the suitability of this product for your purpose.

6. Removal or installation charges.

7. Shipping charges.

8. Any incidental charges.

#### **IV. EXCLUSION OF DAMAGES**

be quiet!'s sole obligation and liability under this warranty is limited to the repair or replacement of a defective product at its option. be quiet! shall not, in any event, be liable for any special, incidental, indirect, or consequential damages whatsoever, including but not limited to loss of profits, revenue, or data (whether direct or indirect), damages resulting from interruption of service and loss of business, or for liability in tort relating to this product or resulting from its use or possession, even if be quiet! has been advised previously of the possibility of such damages.

#### **V. LIMITATIONS OF IMPLIED WARRANTIES**

There are no other warranties, expressed or implied, including but not limited to those of merchantability or fitness for a particular purpose. The duration of implied warranties is limited to the warranty length specified in Paragraph II.50

#### **VI. LOCAL LAW AND YOUR WARRANTY**

This warranty gives you specific legal rights. You may also have other rights granted under local law. These rights may vary.

#### **VII. NO OTHER WARRANTY**

No be quiet! employee, dealer, or other agent is authorized to make any modification, extension, or addition to this warranty.

## VIII. TO OBTAIN TECHNICAL SUPPORT OR WARRANTY SERVICE

Please see your product owner's manual or visit the Online Support section at [www.bequiet.com](http://www.bequiet.com) for details and contact information. You will need to provide proof of purchase for warranty service.

## TECHNICAL DATA

Technische Daten, Données technique, Datos técnico, Dati tecnici, Dane techniczne, Технічні характеристики, Специфікації

### 1. LABEL

AC Input	110 - 240Vac 50 - 60Hz 15 - 7,5A					
DC Output ⇄	3.3V	5V	12V1	12V2	-12V	5VSB
Max. Current	22A	22A	55A	50A	0.3A	3A
			100A			
Max. Combined Power	120W		1200W		3.6W	15W
	<b>1200W</b>					

AC Input	100 - 240Vac 50 - 60Hz 12 - 6A					
DC Output ⇄	3.3V	5V	12V1	12V2	-12V	5VSB
Max. Current	22A	22A	46A	42A	0.3A	3A
			83.4A			
Max. Combined Power	120W		1000W		3.6W	15W
	<b>1000W</b>					

AC Input	100 - 240Vac 50 - 60Hz 12 - 6A					
DC Output ⇄	3.3V	5V	12V1	12V2	-12V	5VSB
Max. Current	22A	22A	40A	36A	0.3A	3A
			70.9A			
Max. Combined Power	120W		850W		3.6W	15W
	<b>850W</b>					

## 2. VOLTAGE REGULATION

DC Output	3.3V	5V	12V1	12V2	-12V	5VSB
Tolerance	+/- 4%	+/- 4%	+/- 4%	+/- 4%	+/- 10%	+/- 4%
Ripple/Noise (max.)	40mV	40mV	80mV	80mV	80mV	40mV

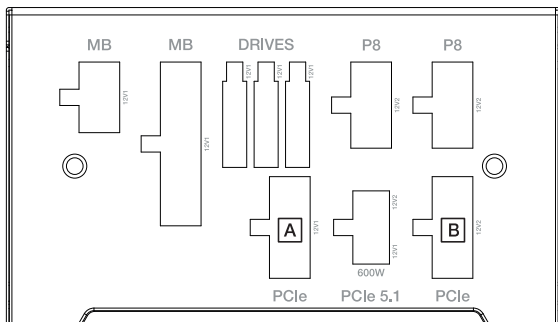
## 3. OPERATING CONDITIONS

Environment	Temperature	Rel. Humidity
Operation	0 ~ 40°C	up to 90% (non-condensing)
Storage	-20 ~ 70°C	up to 95% (non-condensing)

## 4. MINIMAL LOAD

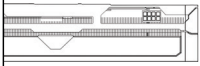

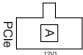

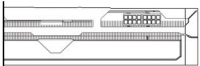


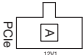

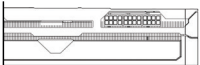
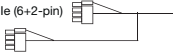

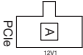

	3.3V	5V	12V1	12V2	-12V	5VSB
1200W 1000W 850W	0A	0A	0A	0A	0A	0A

## 5. RAIL DISTRIBUTION





## 6. GPU CONFIGURATION

GPU	Cables	PSU
	<p>PCIe (6+2-pin)</p> 	 PCIe 12V1  PCIe 12V2
	<p>PCIe (6+2-pin)</p>  <p>PCIe (6+2-pin)</p> 	 PCIe 12V1  PCIe 12V2
	<p>PCIe (6+2-pin)</p>  <p>PCIe (6+2-pin)</p> 	 PCIe 12V1  PCIe 12V2

## 7. DIMENSIONS

L x W x H (mm): 160 x 150 x 86

## 8. CONNECTIVITY AND CABLE LENGTHS

### 1200W / 1000W / 850W

