



Make It Yours.

COSMOS C700P Black Edition

User manual / English

التثبيت دليل / Arabic

Инструкция за експлоатация / Български

安装说明 / 简体中文

安裝說明 / 繁體中文

Uživatelská příručka / Čeština

Handbuch / Deutsch

Εγχειρίδιο χρήσης / Ελληνικά

Manual de Usuario / Español

Manuel de l'utilisateur / Français

فارسی / راهنمای کاربری

Felhasználói kézikönyv / Magyar

Manuale d'uso / Italiano

ユーザーズマニュアル / 日本語

Handleiding / Nederlands

설치 안내 / Korean

Instrukcja Użytkownika / Polski

Manual do Usuário / Português

Руководство пользователя / русский

Uputstvo za korišćenje / Srpski

Kullanım Klavuzu / Türkçe

Panduan Pengguna / Indonesia

CONTENTS

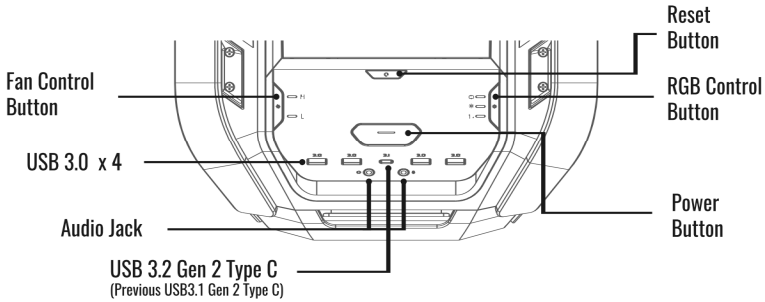
| | |
|--|----|
| Package Content | 2 |
| Front I/O & Buttons | 3 |
| Compatibility..... | 3 |
| Installation Guide | |
| 1 PSU/Motherboard/GFX installation..... | 4 |
| 2 SDD/HDD/ODD installation..... | 6 |
| 3 How to install case fans and radiators..... | 11 |
| 4 How to install radiator in the rear..... | 14 |
| 5 Completing installation | 14 |
| Fan & RGB controller operation | 15 |
| Control Board Layout..... | 16 |
| I/O connectors..... | 16 |
| Inverse layout adjustment..... | 17 |
| Chimney layout adjustment..... | 19 |
| Warranty Information..... | 24 |

| | | |
|-------------------------------|------------|---|
| Net Weight | | 21.6kg / 47.6lb |
| Available Color | | Black |
| Materials | | Outlook: Aluminum, Plastic, Steel Body: Steel Side panel: Tempered Glass, Steel |
| Dimensions (LxWxH) | | 639 x 306 x 651mm / 25.2 x 12.0 x 25.6inch |
| Motherboard Support | | Mini-ITX, Micro-ATX, ATX, E-ATX (support upto 12" x 10.7") |
| Expansion Slots | | 8 |
| Drive Bays | 5.25" | 1 |
| | 2.5"/3.5" | 4 |
| | 2.5" SSD | 4 |
| I/O Port | | USB 3.1 Gen 2 Type-C x 1 USB 3.0 Type x 4 Fan Speed & RGB Control buttons Audio In & Out (Supports HD Audio) |
| Pre-installed Fan(s) | Front | 140mm x 2 , 1200RPM |
| | Rear | 140mm x 1 , 1200RPM |
| Fan Support | Top | 120/140mm fan x 3 |
| | Front | 120/140mm fan x 3 |
| | Rear | 120/140mm fan x 1 |
| | Bottom | 120/140mm fan x 2 |
| Liquid Cooling Support | Top | 120mm, 140mm, 240mm, 280mm, 360mm, 420mm (remove ODD, maximum thickness clearance 70mm) |
| | Front | 120mm, 140mm, 240mm, 280mm, 360mm, 420mm (remove ODD) |
| | Rear | 120mm, 140mm |
| | Bottom | 120mm, 140mm, 240mm |
| Clearances | CPU Cooler | 198mm |
| | GPU | 490mm (without 3.5" HDD Bracket) 320mm (with 3.5" HDD Bracket) |
| Power Supply Support | | Bottom Mount, ATX PS2 |

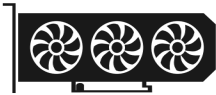
Package Content / Lieferumfang / Contenido de la confección / Contenu de l'emballage / Contenuto della confezione / Zawartość opakowania / Содержание комплекта / Съдържание / balení obsahuje / Περιεχόμενα συσκευασίας / A csomag tartalma / Verpakkinginhoud / Conteúdo da embalagem / Sadržajpakovanja / Paket içeriği / 包装内含物品明細 / 包装内含物品清單 / パッケージ内容 / Isi Paket / 구성품 내용 / فهرست محتويات / محتوى الطرد

| | Figure | Name | Q'ty | Used for |
|----|--------|-------------------------------------|------|---|
| 1 | | 2-Bay ODD or Function Panel bracket | 2 | 2-Bay 5.25" optical drive or function Panel |
| 2 | | #6-32*6mm screw | 17 | 2-Bay 5.25" optical drive or function panel bracket, PSU, motherboard |
| 3 | | M3*5mm screw | 8 | 5.25" optical drive |
| 4 | | HDD screw | 16 | HDD cage |
| 5 | | SSD screw | 12 | Mounting SSD on M.port cover |
| 6 | | Stand-off | 3 | Motherboard tray |
| 7 | | Stand-off socket | 1 | Motherboard stand-off installation |
| 8 | | Cable Tie | 10 | Cable management |
| 9 | | φ5*10mm screw | 8 | Installing fans |
| 10 | | Cleaning Cloth | 1 | Cleaning glass |
| 11 | | M3*4mm screw | 8 | SSD / mounting in SSD pockets |
| 12 | | #6-32*6mm screw | 2 | Tap thread on frame holes |
| 13 | | RGB Extension Cable | 1 | Control Board |
| 14 | | RGB connection pin | 1 | RGB Extension Cable |

| | | | |
|------------|---|-----------|--|
| EN | Front I/O & Buttons | HU | Előlapi I/O & kapcsolók |
| AR | المنافذ الأمامية والأزرار | ID | Tombol dan I/O depan |
| BG | Преден панел и бутони | IT | Pulsanti e I/O frontali |
| CHS | 前面板接口及按键说明 | JP | フロントI/Oパネル |
| CHT | 前面板接口及按键說明 | KR | 전면 I/O & 버튼 |
| CS | Vstupy/Výstupy a další tlačítka na předním panelu | NL | Bedieningspaneel |
| DE | Front I/O & Tasten | PL | Przedni panel I/O & Przyciski |
| EL | Εμπρός I/O & διακόπτες | PT | Botões e frontal I/O |
| ES | Frontal I/O & Botones | RU | Фронтальные кнопки и панель ввода/вывода |
| FA | دکمه‌ها و درگاه‌های پنل جلو | SR | Front I/O & Tasteri |
| FR | Boutons sur le panneau E/S de façade | TR | Ön I/O & Düğmeler |



| | | | |
|------------|----------------|-----------|-----------------|
| EN | Compatibility | HU | kompatibilitás |
| AR | التوافق | ID | Kompatibilitas |
| BG | съвместимост | IT | Compatibilità |
| CHS | 相容性 | JP | パーツ互換性 |
| CHT | 兼容性 | KR | 호환성 |
| CS | kompatibilita | NL | Compatibiliteit |
| DE | Kompatibilität | PL | Zgodność |
| EL | Συμβατότητα | PT | Compatibilidade |
| ES | Compatibilidad | RU | Совместимость |
| FA | سازگاری | SR | kompatibilnost |
| FR | Compatibilité | TR | Uyumluluk |



Maximum GFX length: 490mm



Max CPU cooler height: 198mm



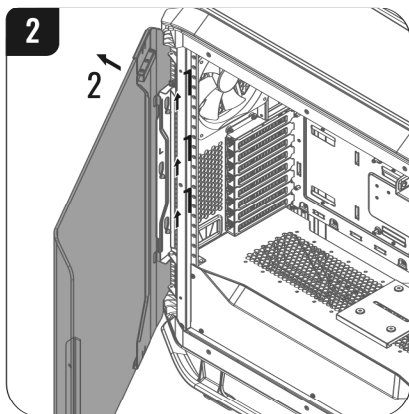
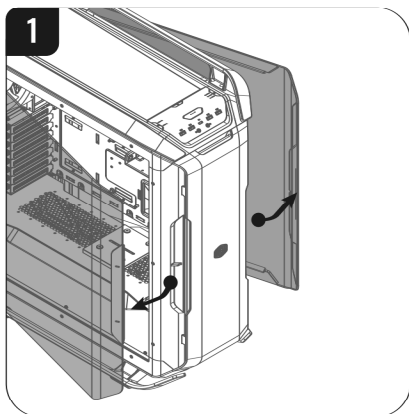
Max PSU length: 200+ mm

Installation Guide / Installationsanleitung / Guía para la instalación / Guide d'installation / Guida per l'installazione / Instrukcja instalacji /
Руководство пользователя / Ръководство за инсталация / Instalační příručka / Οδηγός εγκατάστασης / Telepítési útmutató /
Guia de instalação / Uputstvo za instalaciju / 組裝說明 / 組裝說明 / 製品の使い方 / Panduan Instalasi / 설치 안내 /
راهنمای نصب / دليل التثبيت

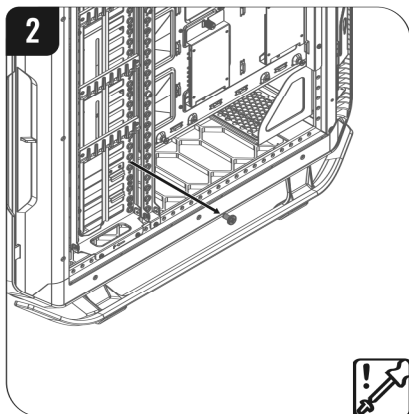
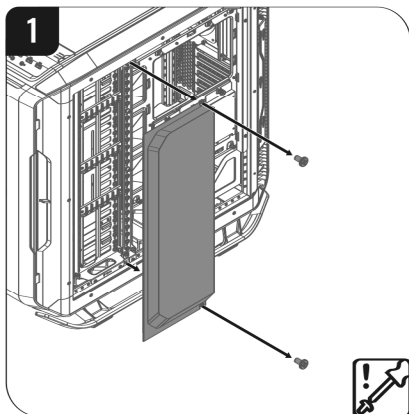
1

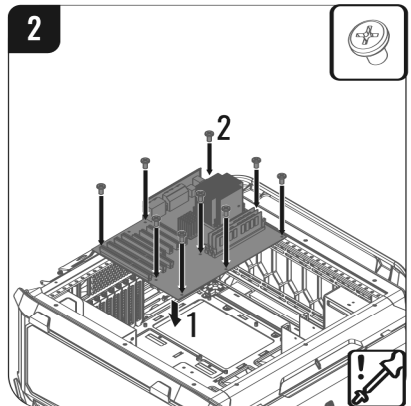
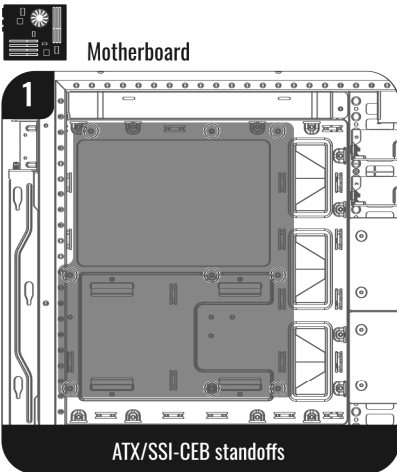
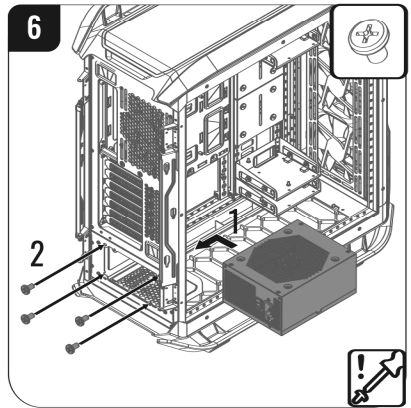
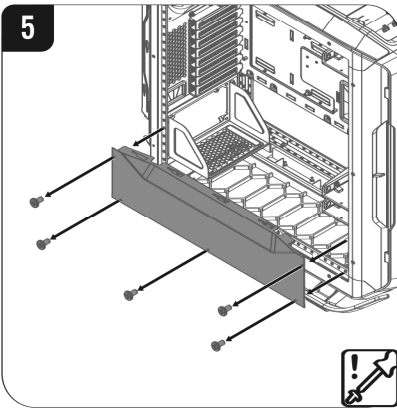
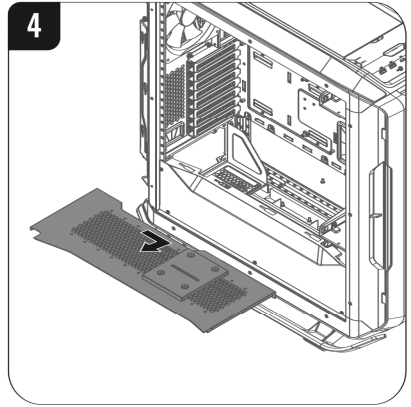
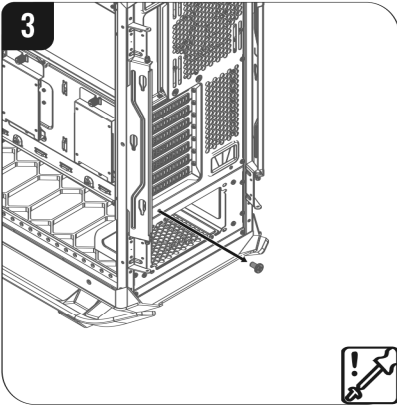
- EN PSU/Motherboard/GFX installation
- AR التخزين أقراص تركيب PSU/Motherboard/GFX
- BG Монтаж на PSU/Motherboard/GFX
- CHS PSU/Motherboard/GFX 安裝指南
- CHT PSU/Motherboard/GFX 安裝指南
- CS Instalace PSU/Motherboard/GFX
- DE PSU/Motherboard/GFX Montage
- EL Εγκατάσταση PSU/Motherboard/GFX
- ES Instalación de PSU/Motherboard/GFX
- FA نصب PSU/Motherboard/GFX
- FR Installation d'un PSU/Motherboard/GFX

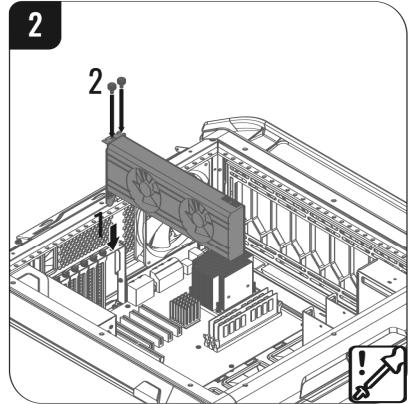
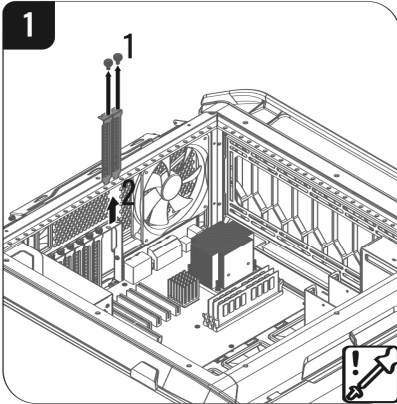
- HU PSU/Motherboard/GFX Telepítés
- ID Cara pemasangan PSU/Motherboard/GFX
- IT Installazione PSU/Motherboard/GFX
- JP PSU/Motherboard/GFXインストール
- KR PSU/Motherboard/GFX 설치
- NL PSU/Motherboard/GFX Installatie
- PL Montaż dysku PSU/Motherboard/GFX
- PT Instalação do PSU/Motherboard/GFX
- RU Установка PSU/Motherboard/GFX
- SR Instalacija PSU/Motherboard/GFX
- TR PSU/Motherboard/GFX Montajı



PSU



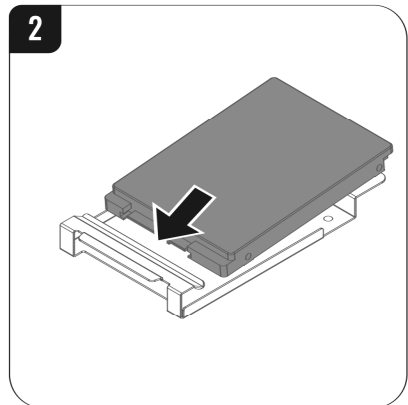
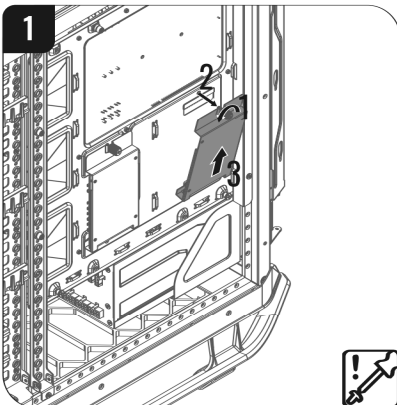


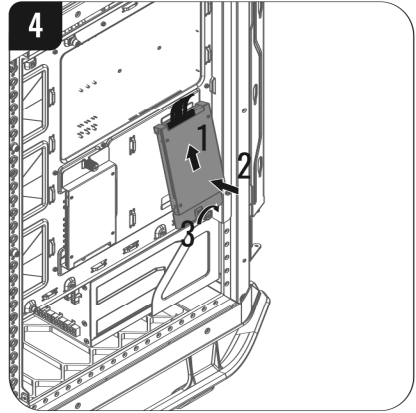
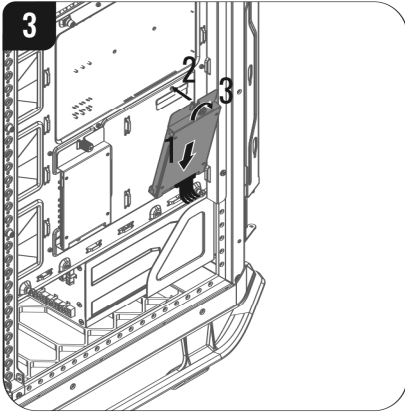


2

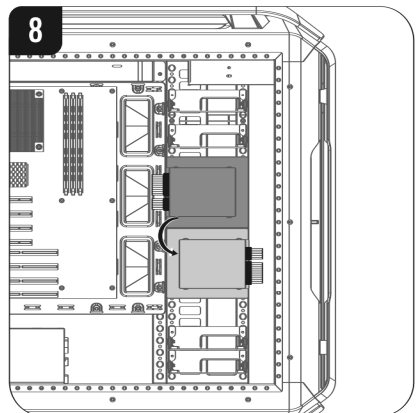
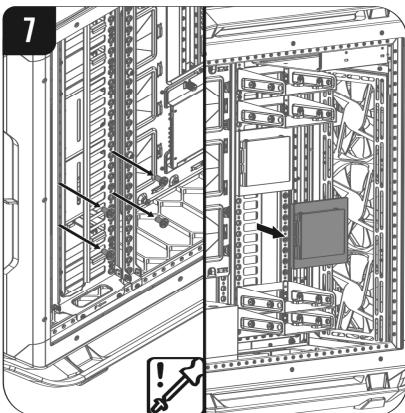
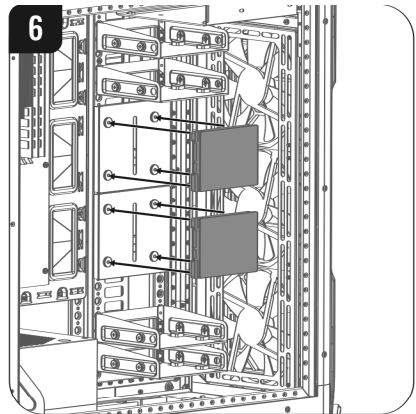
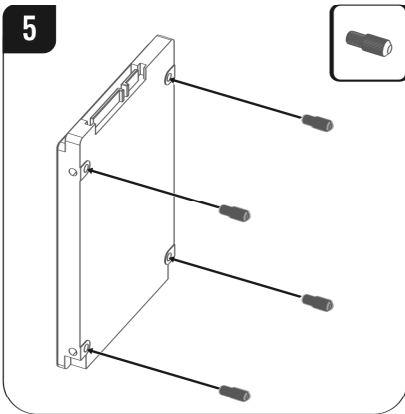
- [EN] SSD/HDD/ODD installation
- [AR] التثبيت التخزين أقراص تركيب
- [BG] Монтаж на SSD/HDD/ODD
- [CHS] SSD/HDD/ODD 安装指南
- [CHT] SSD/HDD/ODD 安裝指南
- [CS] Instalace SSD/HDD/ODD disku
- [DE] SSD/HDD/ODD Montage
- [EL] Εγκατάσταση SSD/HDD/ODD
- [ES] Instalación de SSD/HDD/ODD
- [FA] نصب SSD/HDD/ODD
- [FR] Installation d'un SSD/HDD/ODD

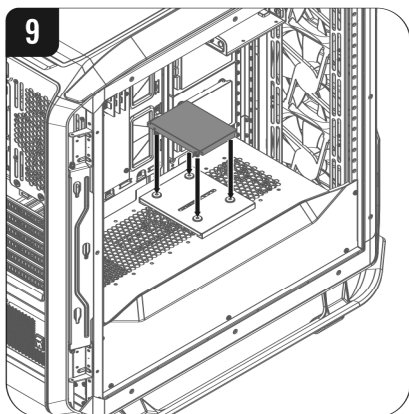
- [HU] SSD/HDD/ODD Telepítés
- [ID] Cara pemasangan SSD/HDD/ODD
- [IT] Installazione SSD/HDD/ODD
- [JP] SSD/HDD/ODDインストール
- [KR] SSD/HDD/ODD 설치
- [NL] SSD/HDD/ODD Installatie
- [PL] Montaż dysku SSD/HDD/ODD
- [PT] Instalação do SSD/HDD/ODD
- [RU] Установка SSD/HDD/ODD
- [SR] Instalacija SSD/HDD/ODD
- [TR] SSD/HDD/ODD Montajı



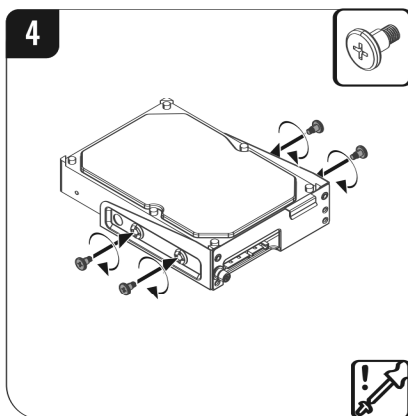
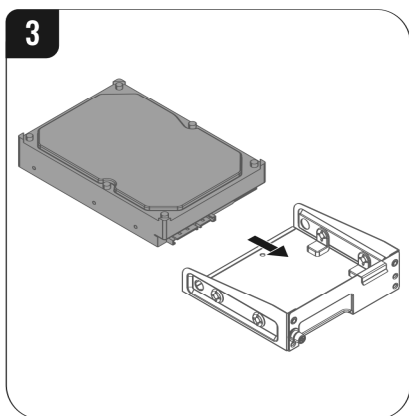
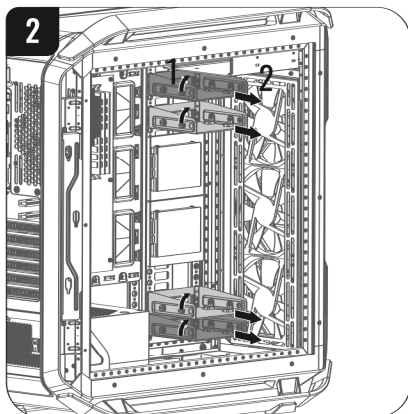
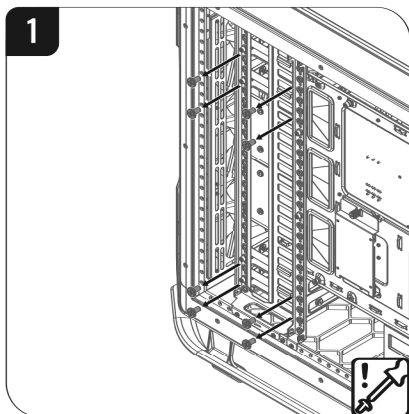
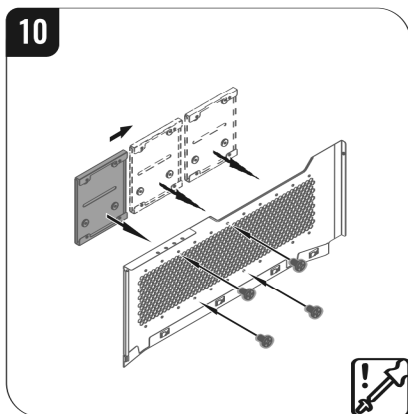


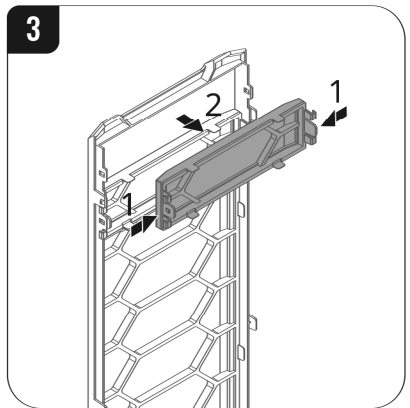
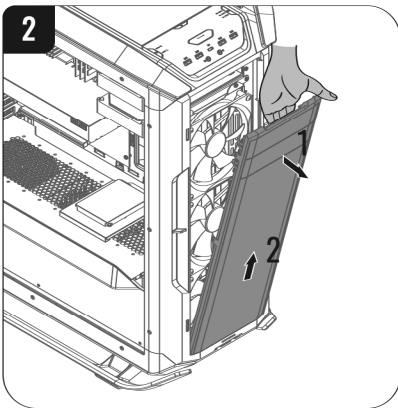
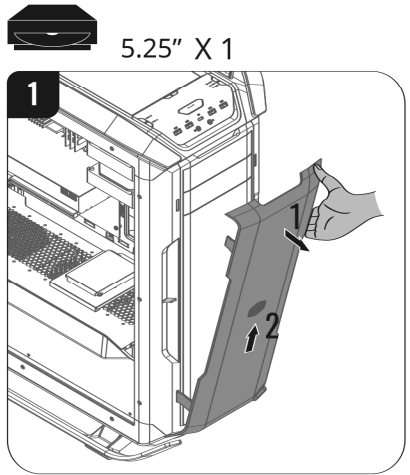
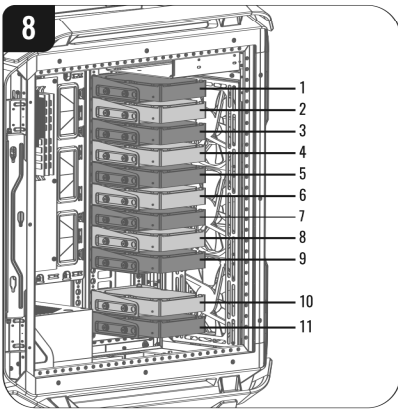
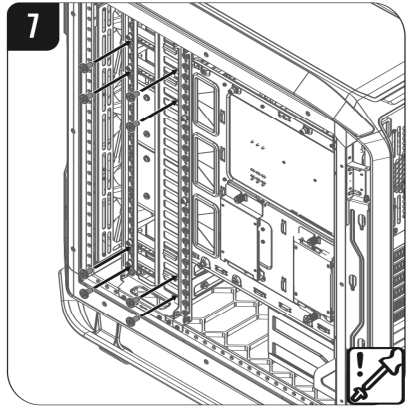
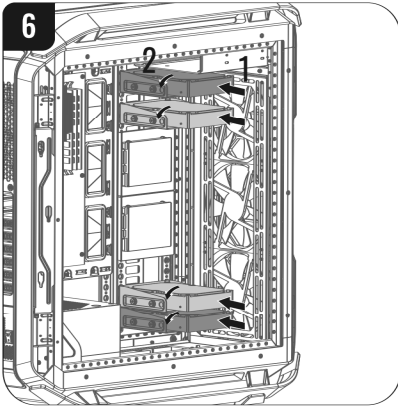
OR

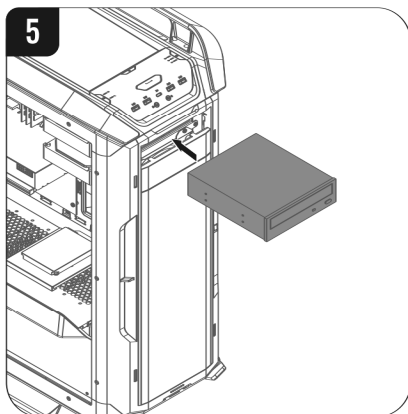
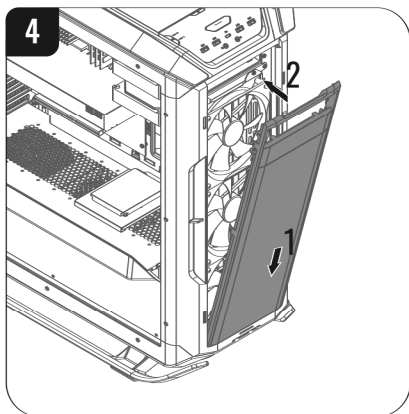




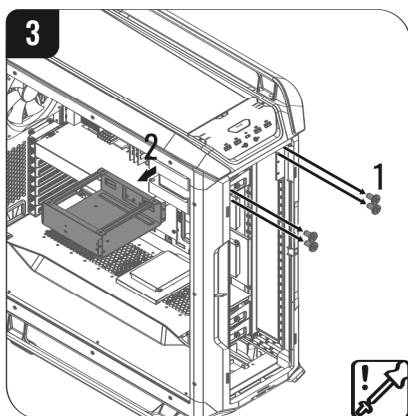
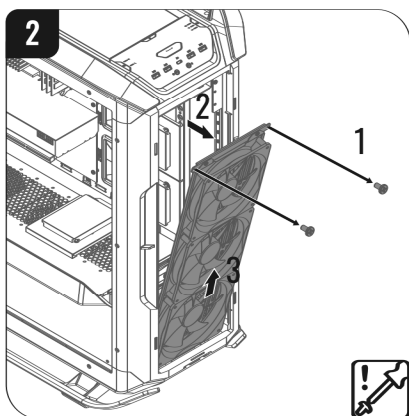
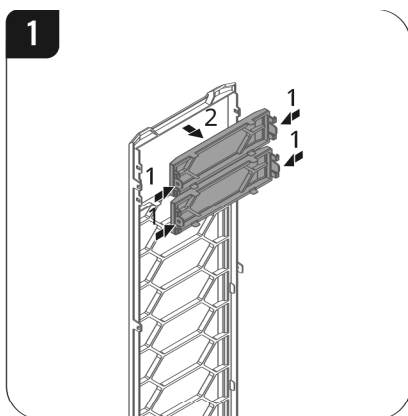
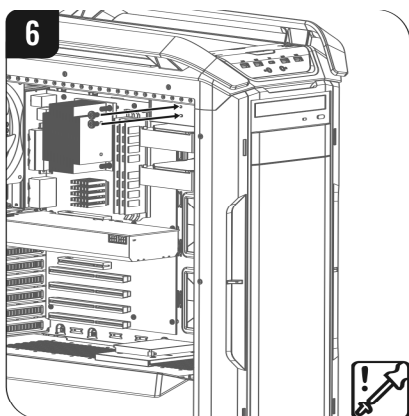
3.5"

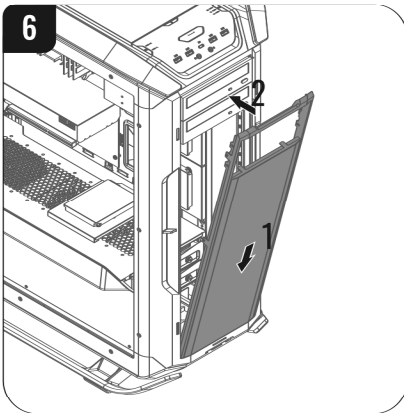
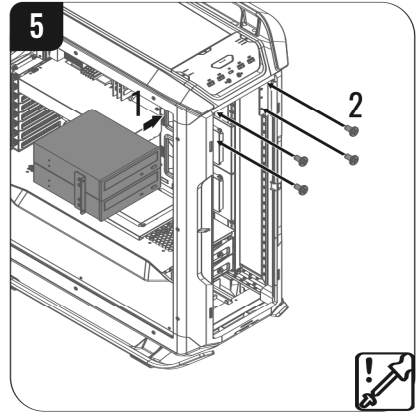
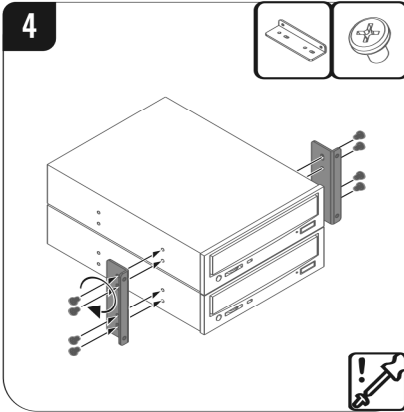






 5.25" X 2





3

EN How to install case fans and radiators

AR كيفية تركيب المراوح و المبرد

BG Как се инсталират радиатори и вентилатори

CHS 安装风扇和水冷排

CHT 安裝風扇和水冷排

CS Jak nainstalovat ventilátory a chladiče

DE So installieren Sie Lüfter und Radiatoren

EL Πώς να εγκαταστήσετε ανεμιστήρες και ψυγεία

ES Como instalar ventiladores de caja y radiadores

FA نحوه نصب رادیاتور ها و فن های کیس

FR Comment installer les ventilateurs et radiateurs

HU Ventilátorok és a radiátorok beszerelése

ID Cara memasang kipas kasus dan radiator

IT Come installare ventole e radiatori

JP ケースファンとラジエーターの取り付け方法

KR 케이스 팬 및 라디에이터 설치 방법

NL Installeren van de ventilatoren en radiatoren

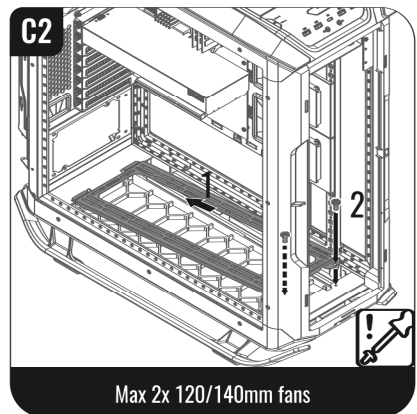
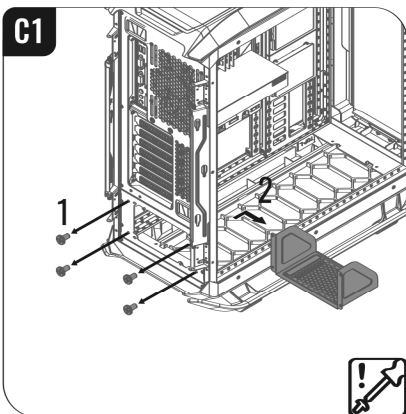
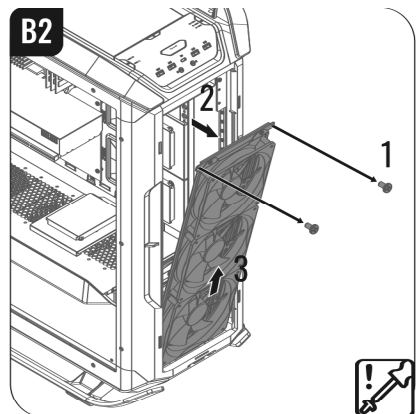
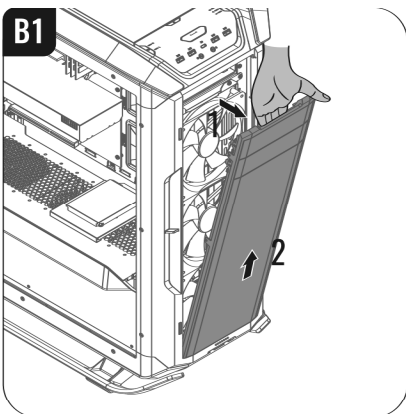
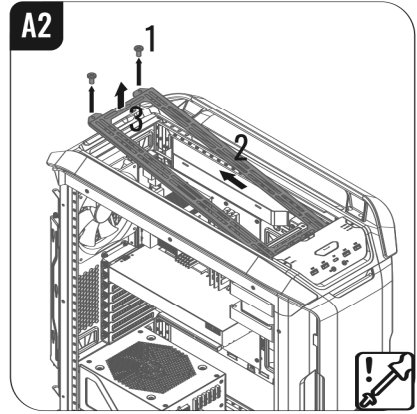
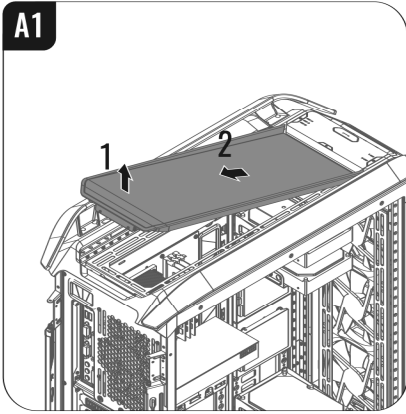
PL Jak zamontować wentylatory i radiator

PT Como instalar as ventoinhas e os radiadores

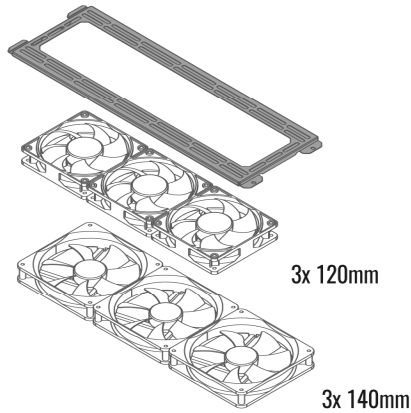
RU Как установить корпусные вентиляторы и радиаторы

SR Kako da instalirate ventilatore i radijatore

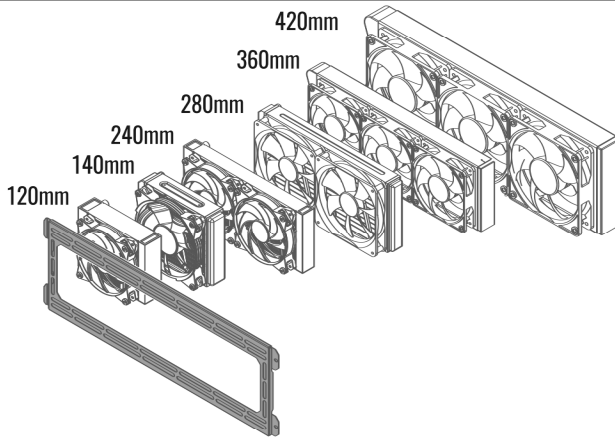
TR Kasa fanlarını ve radyatörleri takmak



Fan



Radiator

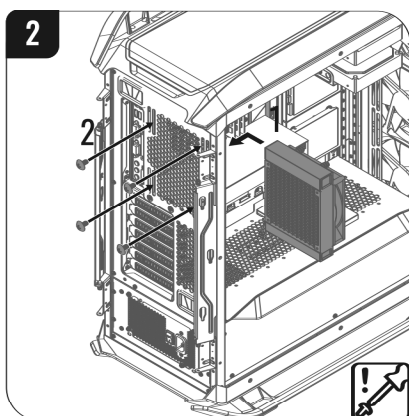
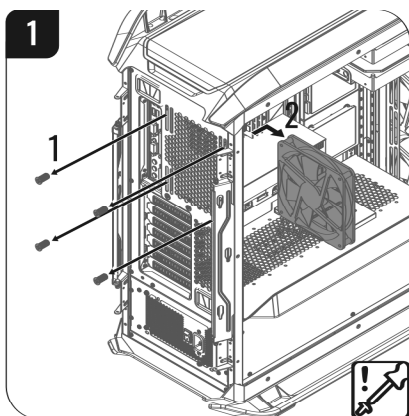


| | Position | Support |
|----------|----------|--|
| Fan | Top | 120/140mm x 3 |
| | Front | 120/140mm x 3 |
| | Bottom | 120/140mm x 2 |
| Radiator | Top | 120mm, 140mm, 240mm, 280mm, 360mm/420mm (requires removal of 5.25" Optical drive Cage) |
| | Front | 120mm, 140mm, 240mm, 280mm, 360mm, 420mm* (*requires removal of 5.25" Optical drive Cage) |
| | Bottom | 120mm, 140mm, 240mm, 360mm* (*requires alternative PSU location) |

(2 fan brackets are included out of the box. Additional fan brackets can be purchased separately.)

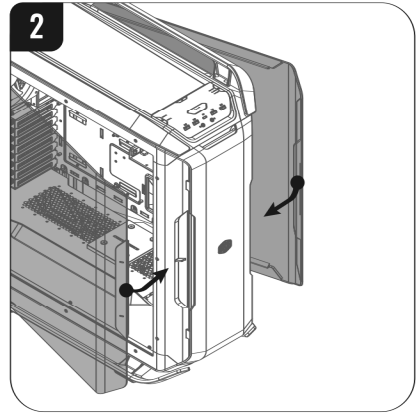
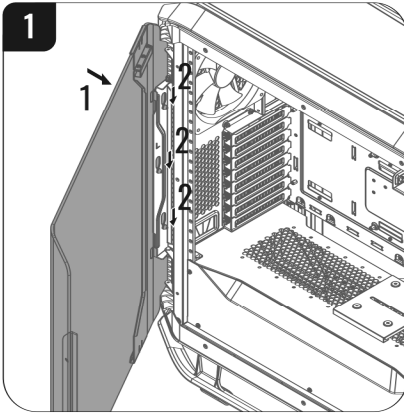
4

- [EN] How to install radiator in the rear
- [AR] كيفية تركيب المبرد في الخلف
- [BG] Как се инсталира радиатор в задния панел
- [CHS] 安装后方水冷排
- [CHT] 安裝後方水冷排
- [CS] Jak nainstalovat chladič vzadu
- [DE] So installieren Sie einen Radiator am Heck
- [EL] Πώς να εγκαταστήσετε ψυγείο στο πίσω μέρος
- [ES] Como instalar el radiador en a parte posterior
- [FA] نحوه نصب رادیاتور در قسمت پشتی
- [FR] Comment installer le radiateur à l'arrière
- [HU] Radiátor beszerelése hátulra
- [ID] Cara memasang radiator bagian belakang
- [IT] Come installare un radiatore nella sezione posteriore
- [JP] 後部にラジエーター取り付け方法
- [KR] 뒤쪽에 라디에이터를 설치하는 방법
- [NL] Installeren van de radiator aan de achterkant
- [PL] Jak zamontować radiator na tylny ścianie
- [PT] Como instalar o radiador na traseira
- [RU] Как установить радиатор в задней части корпуса
- [SR] Kako instalirati radiator u zadnjem delu
- [TR] Radyatörü arkaya takmak

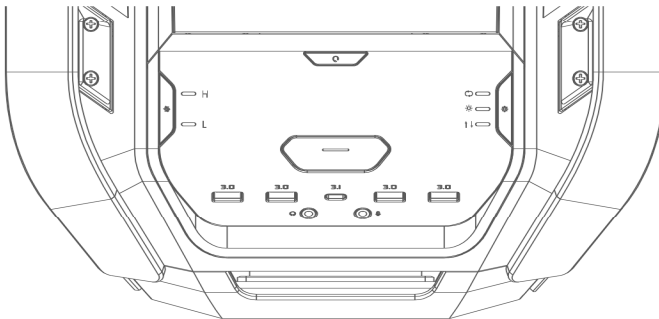


5

- [EN] Completing installation
- [AR] استكمال التثبيت
- [BG] Завършване на инсталацията
- [CHS] 完成组装
- [CHT] 完成組裝
- [CS] Dokončení instalace
- [DE] So schliessen Sie die Installation ab
- [EL] Ολοκλήρωση εγκατάστασης
- [ES] Completar la instalación
- [FA] تکمیل نصب
- [FR] Terminer l'installation
- [HU] A szerelés befejezése
- [ID] Menyelesaikan Instalasi
- [IT] Completamento dell'installazione
- [JP] 完成図
- [KR] 설치 완료
- [NL] Installatie voltooid
- [PL] Kończenie instalacji
- [PT] Finalizar a instalação
- [RU] Завершение сборки
- [SR] Dovršavanje instalacije
- [TR] Kurulum tamamlanıyor



Fan & RGB controller operation / Lüfter und RGB Steuerung / Funcionamiento del ventilador y del controlador RGB / Fonctionnement du contrôleur d'éclairage RGB et de ventilateurs / Funcionamento del controller Ventola& RGB / Obstuga kontrolera wentylatorów i podświetlenia RGB / Управление контроллера вентилятора и RGB / Как функционира контролер вентилятор и RGB / Ovládání ventilátoru a RGB / Χρήση ελεγκτή fan & RGB / Ventilátor és RGB vezérlő kezelése / Ventilator & RGB controller bediening / Funcionamento do controlador das ventoinhas e RGB / Funkcija ventilatora i RGB kontrolera / Fan & RGB kontrolcü işlemleri / 風扇和RGB燈光控制操作 / 風扇和A-RGB燈光控制操作 / ファンとRGBコントローラー操作説明 / Pengontrol operasional kipas dan RGB / 팬 및 RGB 컨트롤러 작동 / متحكم المراوح و اضاءة RGB / عملکرد کنترلر فن و RGB

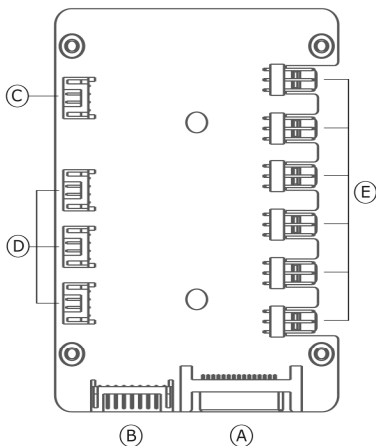


| | Mode | Description |
|----------------------|-------------------|---------------------------------------|
| (*) Fan controller | (H) High | Fan operates at 12v |
| | (L) Low | Fan operates at 7v |
| (:) RGB controller | (:) Static | 7 static colors presets |
| | () Cycle | color cycle |
| | (↑ ↓) M/B sync* | Sync up with motherboard RGB lighting |

*M/B sync mode only works when connecting control board to motherboard RGB(4pin) header.
Do NOT connect to addressable/digital A-RGB header!

Control Board Layout / Layout der Steuerplatine / Diseño de la tarjeta de control / Dispositione della carte de contrôle / Layout della

scheda di controllo / Układ panelu sterowania / Панель управления / Карта на контролния панел / Rozložení ovládací desky / Διάταξη του control board / Kezelő lap kiosztása / Ventilator & RGB aansluit schema / Layout do controlador da board / Šema kontrolne ploče / Kontrol kartı şeması / 控制板接口 / 控制板接口 / コントロールボードレイアウト / Susunan Papan Kontrol / 컨트롤 보드 레이아웃 / لوحة التحكم / طرح مدار کنترل



| | Connector Name | Description |
|---|--|--|
| A | SATA connector | SATA 15pin 12V & 5V input |
| B | Front panel control connector | 9pin connector for LED & Fan control signal |
| C | Motherboard RGB signal input connector | 4pin connector for RGB signal communication with motherboard |
| D | RGB signal output connectors | RGB1-RGB3 4pin connector(12V, G, R, B). 12V, 1.5A maximum output* per connector. |
| E | Fan connector | FAN1-FAN6 3pin connector(compatible with 4pin connector). 12V(±10%) at HIGH mode, 7V(±10%) at LOW mode. 1.5A maximum output* per connector |

*The maximum output of all RGB and Fan connectors is 4.5A

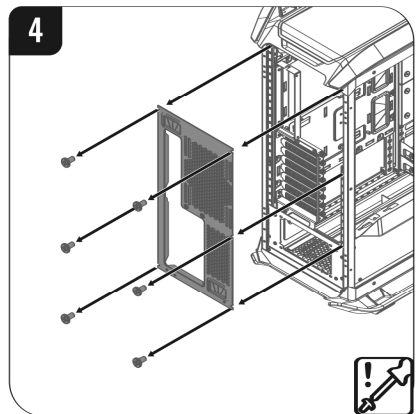
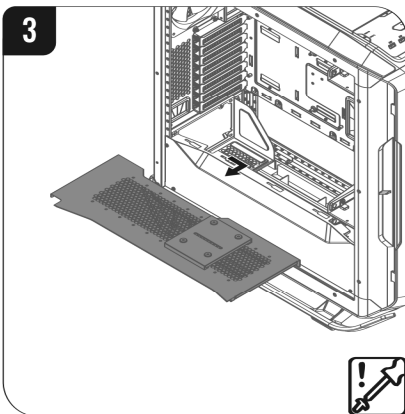
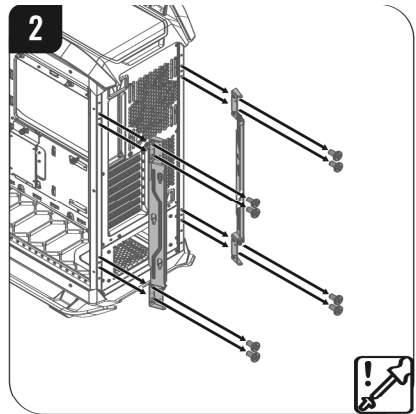
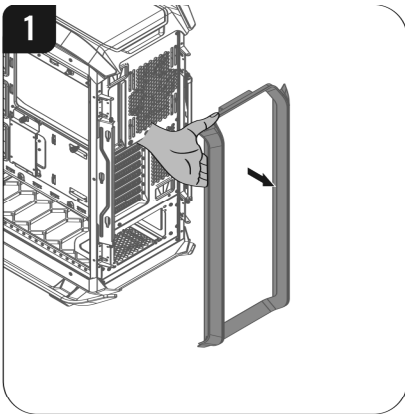
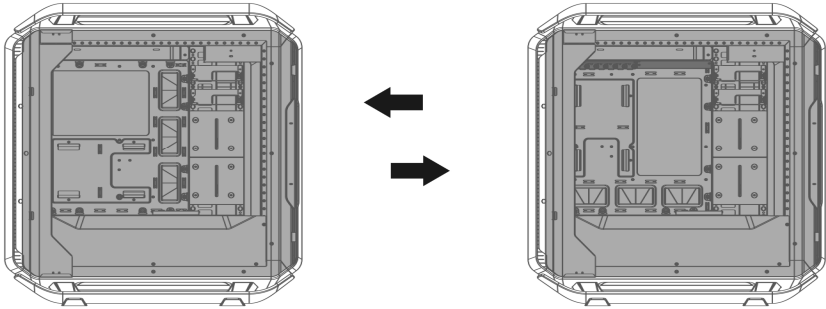
I/O connectors / I/O Anschlüsse / Conectores I/O / Connecteurs E/S / Connettori I/O / Złącza panelu I/O / Разъёмы ввода/вывода /

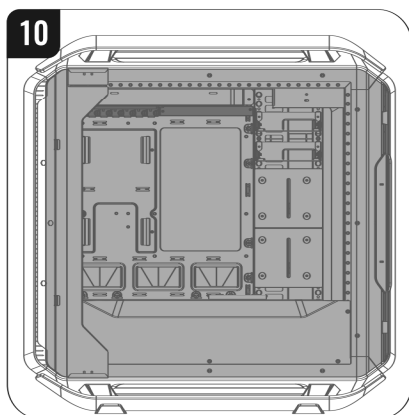
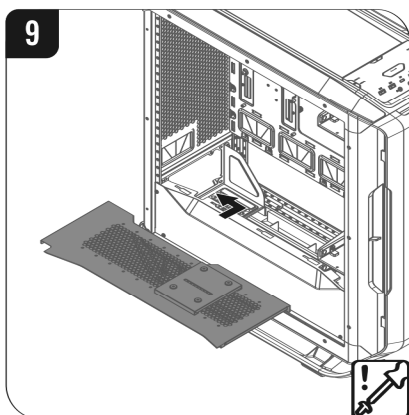
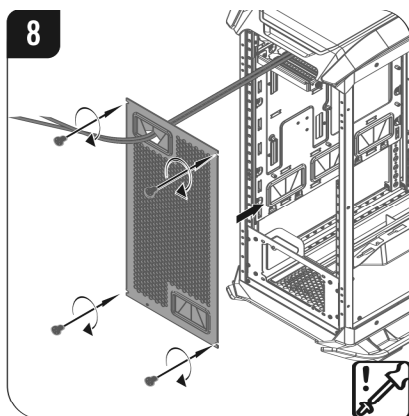
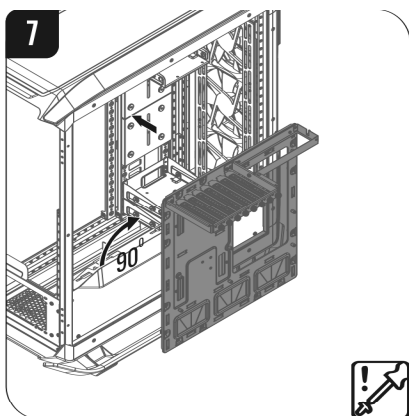
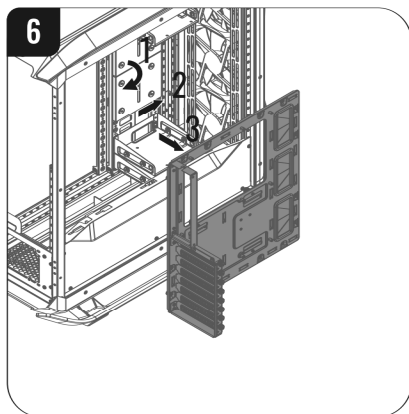
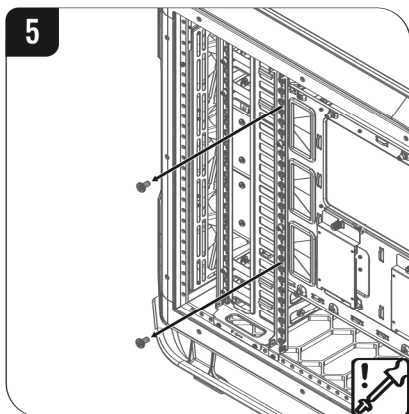
Интерфейсни конектори / Vstupy/Výstupy / Συνδέσεις I/O / I/O csatlakozók / I/O connectoren / Conectores I/O / I/O konektori / I/O bağlantıları / I/O面板接頭 / I/O面板接头 / I/Oコネクタ / Konektor I/O / I/O 커넥터 / موصلات المنافذ / I/O کانکتورهای

- [EN] Please follow motherboard manual instruction for connection.
- [AR] برجاء اتباع دليل استخدام اللوحة الرئيسية لت تركيب التوصيلات
- [BG] Моля следвайте инструкциите на дъната платка за инсталация
- [CHS] 请遵照主板安装手册进行连接
- [CHT] 請遵照主機板安裝手冊進行連接
- [CS] Pro připojení využijte návod dodávaný k základní desce
- [DE] Für die Anschlüsse bitte die Bedienungsanleitung des Mainboards lesen
- [EL] Ακολουθήστε τις οδηγίες την μητρικής κάρτας για την σύνδεση.
- [ES] Siga las instrucciones del manual de la placa base para la conexión.
- [FR] Veuillez vous reporter au manuel de la carte mère pour les instructions de branchement
- [HU] Kövesd az alaplap útmutatóját a helyes csatlakoztatáshoz.
- [ID] Mohon mengikuti instruksi manual motherboard untuk koneksi
- [IT] Seguire le istruzioni della scheda madre per la connessione.
- [JP] マザーボードの取り付け方法
- [KR] 연결을 위해 마더보드 매뉴얼 지시를 따르십시오.
- [NL] Volg de handleiding van het moederbord voor installatie
- [PL] Przy podłączaniu kieruj się instrukcją obsługi płyty głównej
- [PT] Por favor siga o manual da motherboard para as conexões
- [RU] Для подключения, пожалуйста, следуйте инструкциям материнской платы.
- [SR] Molimo vas da pratite uputstva matične ploče za povezivanje.
- [TR] Bağlantılar için lütfen anakart kullanma kılavuzuna bakınız

| Case Connector |
|---|
| USB 3.0 connector |
| USB 3.2 Gen 2 connector |
| HD Audio connector |
| Power SWi / LED ,HDD LED Reset SW <ul style="list-style-type: none"> Power SW Power LED + Power LED - HDD LED Reset SW |

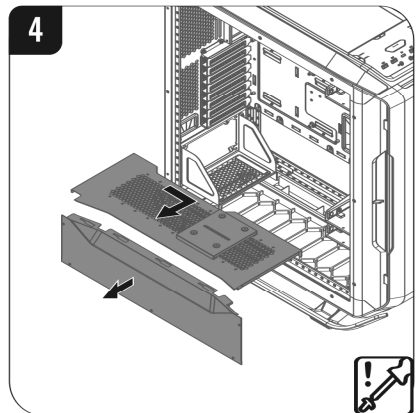
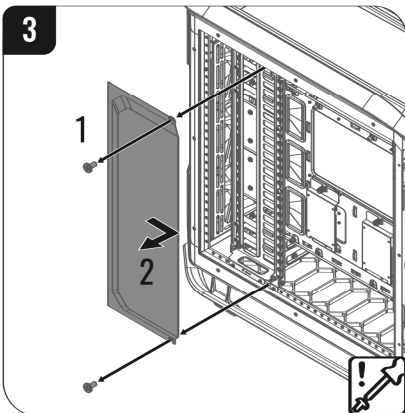
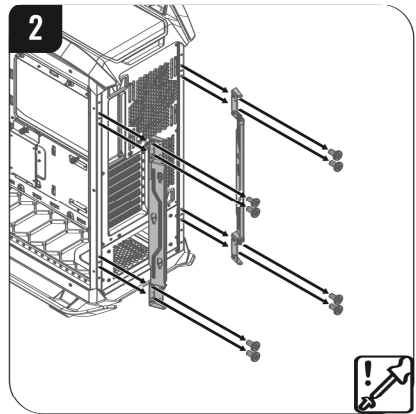
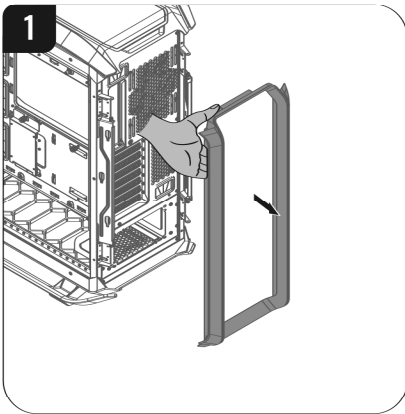
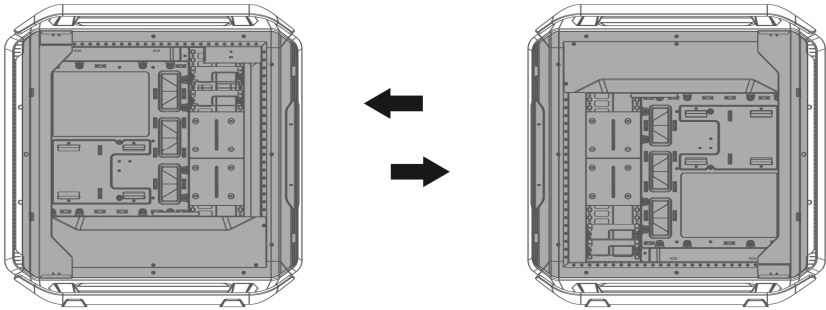
Chimney effect layout adjustment / Anpassung des Layouts: Kamin-Effekt / Ajuste de la disposición del efecto chimenea / Réglage de la disposition avec effet de cheminée / Regolazione del layout dell'effetto camino / Dostosowanie układu typu efekt kominowy / Регулировка эффекта образования тяги / Възможност за инсталация тип комин / Uspořádání využívající kominový efekt / Ρύθμιση διάταξης φυσικού ελκυσμού / Kémény effektus kiegészítés beállítása / Aanpassingen aan de indeling voor Chimney effect / Ajustamento de layout efeito chaminé / Pozicioniranje rasporeda konstrukcije radi efikasnog prenosa toplote "Efekat dimnjaka" / Baca etkisi diizeni ayarı/ 煙囪效應配置調整 / 垂直风道 (90度旋转)调整 / 煙突効果レイアウト調整 / Pengaturan tata letak efek cerobong asap / 굴뚝 효과 레이아웃 조정 / تعديل مخطط تأثير المدخنة / بيكريندى طرح « اثر دودکش »

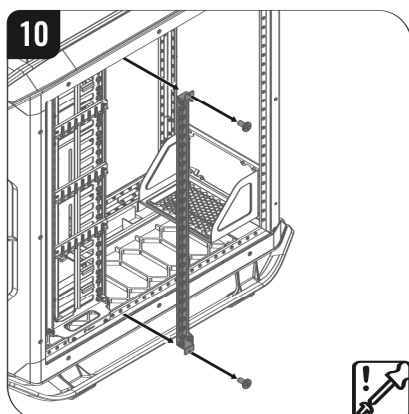
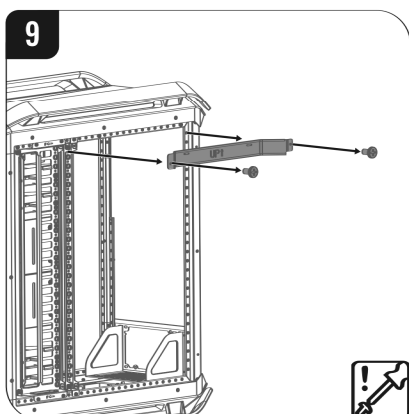
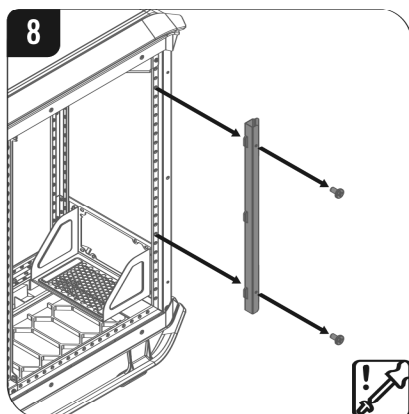
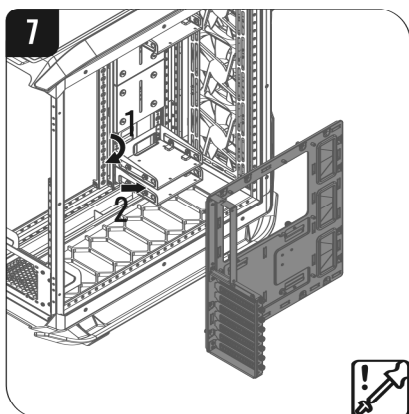
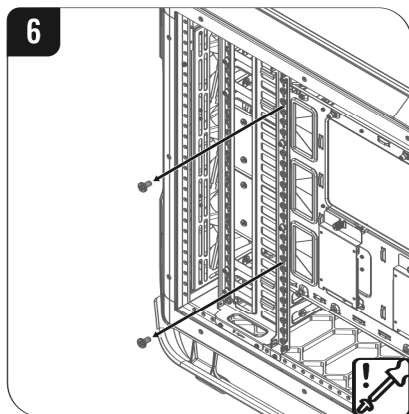
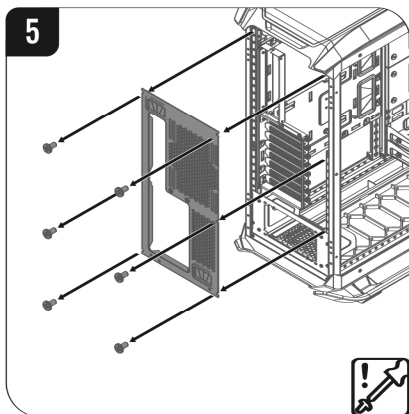


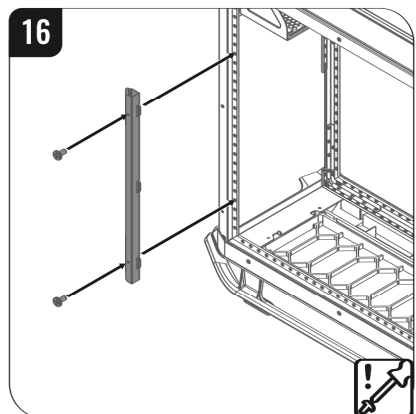
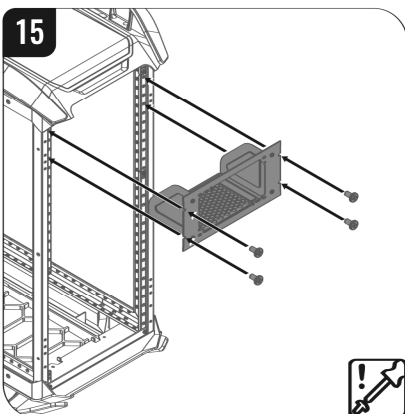
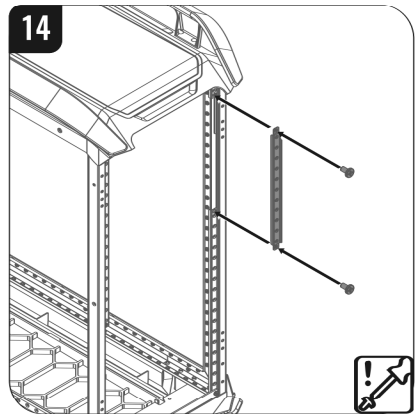
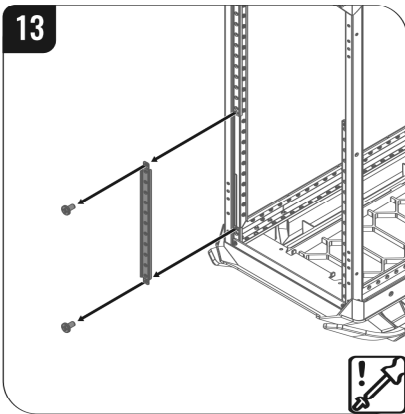
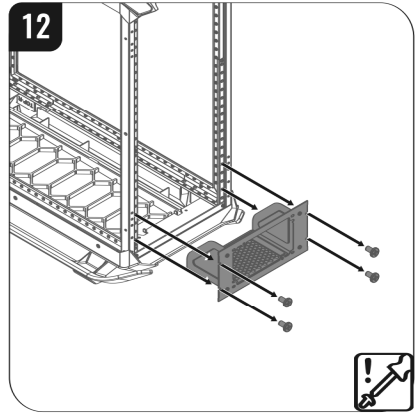
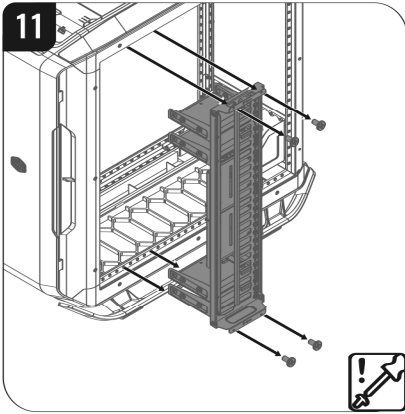


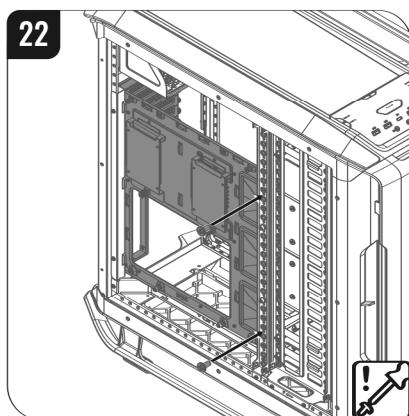
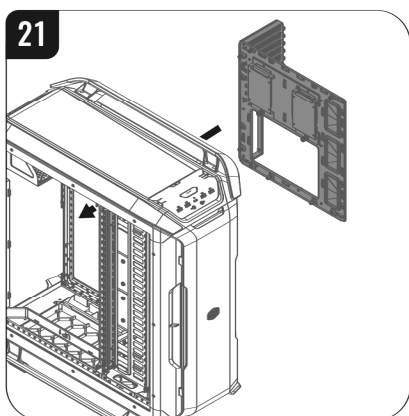
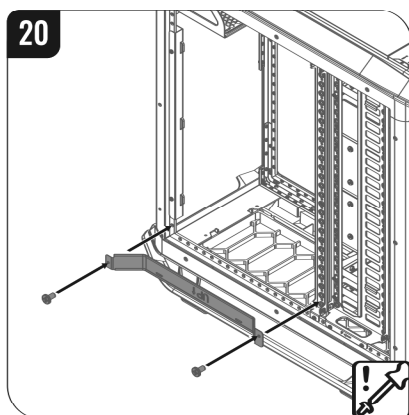
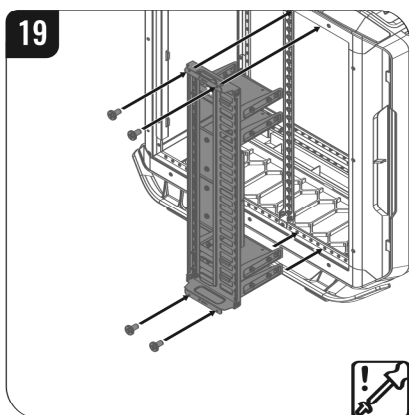
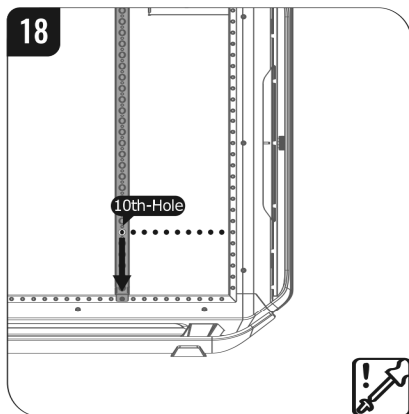
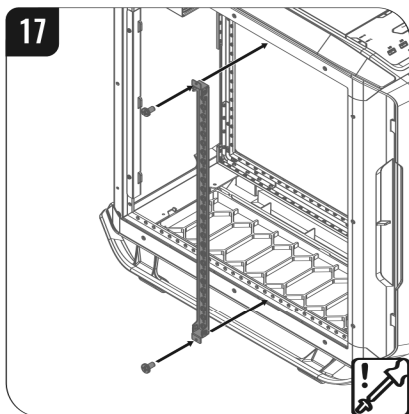
Inverse layout adjustment

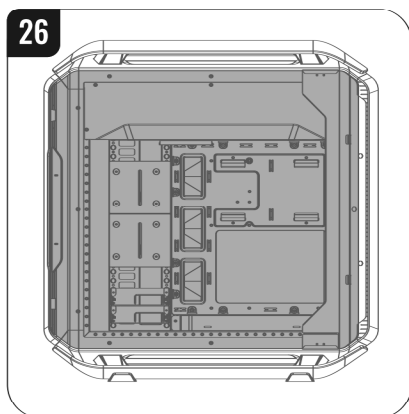
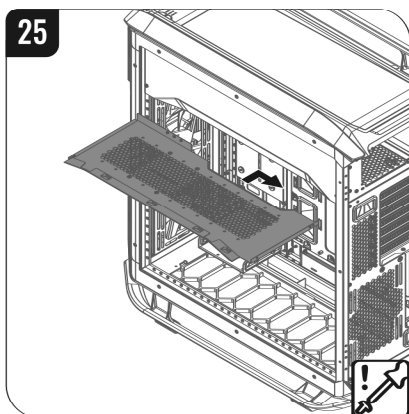
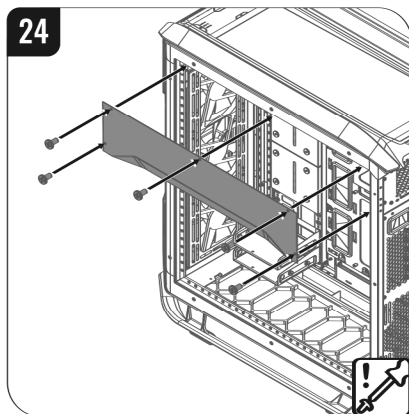
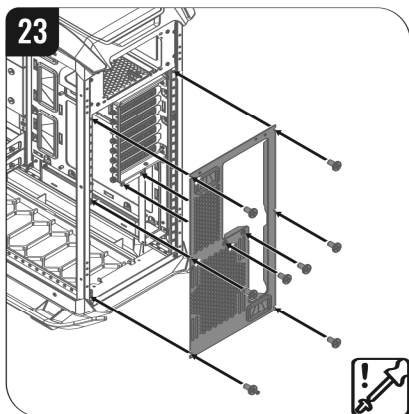
/ Anpassung des Layouts: Montage auf der gegenüberliegenden Seite / Ajuste de disposición inverso /
 Réglage de la disposition inversée / Regolazione inversa del layout / Dostosowanie odwrotnego układu / Обратная настройка схемы / Възможност
 за множество ориентации на дъната платка / Inverzni rozložení / Ρύθμιση αντιστροφής διάταξης / Fordított kiosztás beállítása / Aanpassingen
 voor gespiegelde opstelling / Ajustamento inverso de layout / Rotiranje i podešavanje rasporeda konstrukcije / Ters düzen ayarlaması / 倒轉配置調
 整 / 倒置(180度翻轉)調整 / インバースレイアウト調整 / Pengaturan tata letak terbalik / 역 레이아웃 조정 / تعديل التخطيط العكسي /
 بيكريندي طرح معكوس











Useful links:

CM Reddit : reddit.com/r/coolermaster

Support Center: support.coolermaster.com

CM Store: store.coolermaster.com

WARRANTY INFORMATION

This personal computer case is compliant to safety standards. For the declaration of conformity please visit www.coolermaster.com/service/doc

English (EN)

Cooler Master guarantees that this device is free of defect in material and workmanship, and provides a two-year limited hardware warranty for the device commencing from the date of purchase. Please keep your receipt for proof of purchase. This product is designed for computer usage only. Using this device in any other capacity voids the warranty. If you are not familiar with computer hardware installation, please ask for professional assistance.

The warranty offered covers normal use. Defect or damage that result from improper operation, storage, misuse or abuse, accident or neglect, which are not the fault of Cooler Master, are exclude from warranty coverage.

Note: the warranty is voided by removal or alternation of product or parts identification labels.

*All OEM/bulk packaging product come with one year limited warranty

*In case of conflict between the warranty provided by the country of point of sale and this manual, the warranty of the actual country of point of sale shall be the prevailing document.

*In case of malfunction of electronic components or need of accessories purchase during the warranty period, please return to the original store of purchase.

Türkçe (TR)

Cooler Master bu cihazda malzeme ve işçilik hatası bulunmadığını garanti eder ve cihaz için satın alma tarihinden başlı ayan iki yıla sınırlı bir donanım garantisi verir. Alımı belgelemek için lütfen makbuzunuzu saklayın. Bu ürün yalnızca bilgisayar kullanımı için tasarlanmıştır. Bu cihazın başka bir kapsamda kullanılması garantiyi geçersiz kılar. Bilgisayar donanımı montajını bilmiyorsanız, lütfen profesyonel yardım talep edin.

Verilen garanti normal kullanım içindir. Cooler Master'ın hatası olmayan uygunsuz kullanım, depolama, yanlış kullanım veya kötü kullanım, kaza ya da ihmalden kaynaklanan arıza ya da hasarlar garanti kapsamının dışındadır. Dikkat: Ürün ya da parça tanıma etiketlerinin sökülmesi ya da değiştirilmesi garantiyi geçersiz kılar.

* Tüm OEM/ambalajsız ürünler bir yıl sınırlı garanti ile gelir

* Garanti verilen ülkedeki satış noktası ve bu kullanma

* kılavuzu arasında bir çelişki olursa, satış noktasının bulunduğu ülkedeki garanti hükümleri öncelik taşır. Elektronik bileşenlerin arızalanması ya da garanti süresinde aksesuarların satın alınması gerekirse, lütfen ürünü satın aldığınız mağazaya başvurunuz.

简体中文 (ZHS)

Cooler Master保证本设备之材质及功能无瑕疵，并提供本设备二年之硬件有限保固服务，自购买日算起。请把您的收据放在安全之处，以免Cooler Master要求您提供本证明。本产品专为计算机设计。一旦将本设备用于其它用途，则保固无效。若您不熟悉硬件安装程序，请寻求专家之协助。保固服务仅适用于正常使用下之故障情形。若本公司发现设备毁损之原因为滥用、改造、误用、疏忽、电压供应错误、空气及水污染意外和自然灾害，则保固无效。

注意: 重贴或条形码遭毁损而无法辨识保固期限者，则不在此限。

*所有OEM及工业包装的产品皆保固一年。

*如果销售国家所提供的保固与本说明互有冲突时，应以实际销售国家之保固为准。

*保固期内遇有电子零件故障或配件购买需求，请洽原购买商店。

繁體中文 (ZHT)

Cooler Master保證本設備之材質及做工無瑕疵，並提供本設備二年之硬體有限保固服務，自購買日算起。請把您的收據放在安全之處，以免Cooler Master要求您提供本證明。本產品專為電腦設計。一旦將本設備用於其他用途，則保固無效。若您不熟悉硬體安裝程式，請尋求專家之協助。保固服務僅適用於正常使用下之故障情形。若本公司發現設備毀損之原因為濫用、改造、誤用、疏忽、電壓供應錯誤、空氣及水污染意外和自然災害，則保固無效。

注意: 重貼或條碼遭毀損而無法辨識保固期限者，則不在此限。

*所有OEM及工業包裝的產品皆保固一年。

*如果銷售國家所提供的保固與本說明互有衝突時，應以實際銷售國家之保固為準。

*保固期內遇有電子零件故障或配件購買需求，請洽原購買商店。

| 部件名称 | 有毒有害物质或元素 | | | | | |
|-------|-----------|--------|--------|--------------|------------|--------------|
| | 铅 (Pb) | 汞 (Hg) | 镉 (Cd) | 六价铬 [Cr(VI)] | 多溴联苯 (PBB) | 多溴二苯醚 (PBDE) |
| 机箱组 | × | ○ | ○ | ○ | ○ | ○ |
| 面板组 | × | ○ | ○ | ○ | ○ | ○ |
| I/O模组 | × | ○ | ○ | ○ | ○ | ○ |
| 风扇 | × | ○ | ○ | ○ | ○ | ○ |
| 零件包 | × | ○ | ○ | ○ | ○ | ○ |
| 电源 | × | ○ | ○ | ○ | ○ | ○ |

本表格依据SJ/T 11364的规定编制。
 ○：表示该有害物质在该部件所有均质材料中的含量均在GB/T 26572规定的限量要求以下。
 ×：表示该有害物质至少在该部件的某一均质材料中的含量超出GB/T 26572规定的限量要求。

Note: The form is only applied to China law.

Cooler Master Products: Limited Warranty

This document describes the warranty terms for all Cooler Master product sold in Australia

For Australia only:

Our goods come with guarantees that cannot be excluded under the Australian Consumer Law. You are entitled to a replacement or refund for a major failure and for compensation for any other reasonably foreseeable loss or damage. You are also entitled to have the goods repaired or replaced if the goods fail to be of acceptable quality and the failure does not amount to a major failure. (Cooler Master Technology Inc., 8F., No. 788-1, Zhongzheng Rd., Zhonghe Dist., New Taipei City 23586, Taiwan (R.O.C.).)

Telephone: +886-2-2225-3517 (standard international call charges apply.)

Who the Warranty Protects:

This Warranty is valid to the original purchaser only.

What the warranty protects:

This warranty is valid only for the Cooler Master Products distributed by authorized dealer(s) in Australia. Please contact Cooler Master for warranty information and services:

- Cooler Master Support: account.coolermaster.com

What Is and Is Not Covered

It is important to note that our warranty is not an unconditional guarantee for the duration of the Program. Any replaced parts become the property of Cooler Master. The Program does not apply to the software component of a product or a product which has been damaged due to accident, misuse, abuse, improper installation, usage not in accordance with product specifications and instructions, natural or personal disaster, or unauthorized alterations, repairs or modifications.

The Program does not cover any events such as below:

- Any damages unrelated to manufacturing defects.
- Any unsuitable environment or use of the product in Cooler Master Opinion.
- Any product which has been modified without official permission from Cooler Master, or on which the serial number or warranty sticker has been defaced, modified, or removed.

Damage, deterioration or malfunction resulting from:

- Accident, abuse, misuse, neglect, fire, water, lightning, or other acts of nature, commercial or industrial use, unauthorized product modification or failure to follow instructions included with the product.
- Third party products using Cooler Master Components will not be covered by warranty. See your vendor or the manufacturer for information about servicing.
- Repair or attempted repair by anyone not authorized by Cooler Master, Inc.

- Any shipment damages (claims must be made with the carrier).
- Unauthorized repairs to a Cooler Master product will void the warranty offered by the Program. Cooler Master reserves the right to refuse to service any product which has been altered, modified or repaired by non- Cooler Master Service personnel.
- Cooler Master does not warrant that this product will meet your requirements. It is your responsibility to determine the suitability of this product for your purpose.
- Removal or installation charges.
- You are responsible for the cost of shipping the product to Cooler Master. Cooler Master pays the cost of returning a product to you.
- Cooler Master reserves the right to replace the product with a service product at their sole discretion at any time.
- Product malfunction or damage resulting from liquids or moisture.
- All accessories that malfunction due to physical damage such as: USB cables, extension cables, adapter cables, adapters, power cords, screws, retention brackets, ear cups, and all other similar accessories.

Limitation of implied warranties:

THERE ARE NO WARRANTIES, EXPRESS OR IMPLIED, WHICH EXTEND BEYOND THE DESCRIPTION CONTAINED HEREIN INCLUDING THE IMPLIED WARRANTY OF MERCHANTABILITY AND FITNESS FOR A PARTICULAR PURPOSE.

Exclusion of damages

COOLER MASTER'S LIABILITY IS LIMITED TO THE COST OF REPAIR OR REPLACEMENT OF THE PRODUCT. COOLER MASTER SHALL NOT BE LIABLE FOR:

- DAMAGE TO OTHER PROPERTY CAUSED BY ANY DEFECT IN THE PRODUCT, DAMAGES BASED UPON INCONVENIENCE, LOSS OF USE OF THE PRODUCT, LOSS OF TIME, LOSS OF PROFITS, LOSS OF BUSINESS OPPORTUNITY, LOSS OF GOODWILL, INTERFERENCE WITH BUSINESS RELATIONSHIPS OR OTHER COMMERCIAL LOSS, EVEN IF ADVISED OF THEIR POSSIBILITY OF SUCH DAMAGES.
- ANY OTHER DAMAGES, WHETHER INCIDENTAL, CONSEQUENTIAL OR OTHERWISE
- ANY CLAIM AGAINST THE CUSTOMER BY ANY OTHER PARTY

Warranty Information:

If the goods is found with reasonable defect within the period of (refer to Table A..) starting on the first day of purchase (with proof of invoice), this is what you must do, to claim the warranty from the above address.

Procedures:

1. Consumers should return to the shop where he/she has bought the goods, After confirming with the shop with a valid invoice, they may approach the distributor for RMA claim.
2. After confirmed by the distributor that the goods was damaged due to natural causes, replacement and repair will be done by distributor (including brand new or refurbished goods)
3. All faulty goods must return to the distributor, expenses for returning the faulty goods will be covered by the consumer, and distributor will cover the cost involved in the transporting of parts or repaired goods to the consumer.

Regarding all the expenses incurred in making the claim, and this is how you would claim:

1. Within the valid warranty date, starting from the first day of issuing invoice, Retail shops will assist in confirmation with distributor for the consumer for the following.
 - A. If the damage was caused by the consumer, then the consumer should cover all expenses in fixing the product, if the product still can't be fixed, we would suggest consumer in buying a brand new product.
 - B. Product defect caused under natural use, expenses will be covered by the distributor.
2. Faulty products with expired warranty dates, we would suggest consumer to purchase a brand new products, without undergoing for repairs.

Table A:

Cooler Master Products

Please check your user manual for the exact warranty period terms for products that are not shown below.

For more warranty information, please visit our official website: <http://www.coolermaster.com/service/warranty.html>

Chassis

| Product Name | Warranty Term |
|--|---------------|
| All Chassis Series (Only Electronic Parts) | 2 year |
| C+P (Chassis + PSU) | 1 year |

- (EN) Limited warranty period: <http://www.coolermaster.com/service/warranty.html>
- (AR) المحدود الضمان فترة : <http://www.coolermaster.com/service/warranty.html>
- (BG) Период на ограничена гаранция: <http://www.coolermaster.com/service/warranty.html>
- (CS) Období omezené záruky: <http://www.coolermaster.com/service/warranty.html>
- (DA) Begrænset garanti: <http://www.coolermaster.com/service/warranty.html>
- (DE) Beschränkter Garantiezeitraum: <http://www.coolermaster.com/service/warranty.html>
- (EL) Περίοδος περιορισμένης εγγύησης: <http://www.coolermaster.com/service/warranty.html>
- (ES) Periodo de garantía limitada: <http://www.coolermaster.com/service/warranty.html>
- (FA) مدت زمان گارانتی : <http://www.coolermaster.com/service/warranty.html>
- (FI) Rajoitettu takuujakso: <http://www.coolermaster.com/service/warranty.html>
- (FR) Période de garantie limitée: <http://www.coolermaster.com/service/warranty.html>
- (HU) Korlátozott jótállási időszak: <http://www.coolermaster.com/service/warranty.html>
- (HR) Razdoblje ograničenog jamstva: <http://www.coolermaster.com/service/warranty.html>
- (ID) Masa garansi terbatas: <http://www.coolermaster.com/service/warranty.html>
- (IT) Periodo di garanzia limitata: <http://www.coolermaster.com/service/warranty.html>
- (JA) 限定保証期間 : <http://www.coolermaster.com/service/warranty.html>
- (KO) 제한 보증 기간 : <http://www.coolermaster.com/service/warranty.html>
- (KK) Кепілдік мерзімі: <http://www.coolermaster.com/service/warranty.html>
- (NL) Beperkte garantieperiode: <http://www.coolermaster.com/service/warranty.html>
- (NO) Garantiperiode begrenset garanti: <http://www.coolermaster.com/service/warranty.html>
- (PL) Okres ograniczonej gwarancji: <http://www.coolermaster.com/service/warranty.html>
- (PT) Período de garantia limitada: <http://www.coolermaster.com/service/warranty.html>
- (RU) Ограниченный гарантийный срок: <http://www.coolermaster.com/service/warranty.html>
- (SR) Period ograničene garancije: <http://www.coolermaster.com/service/warranty.html>
- (SV) Begränsad garantiperiod: <http://www.coolermaster.com/service/warranty.html>
- (TR) Sınırlı garanti süresi: <http://www.coolermaster.com/service/warranty.html>
- (UK) Обмежений гарантійний термін: <http://www.coolermaster.com/service/warranty.html>
- (ZHT) 有限保固期間 : <http://www.coolermaster.com/service/warranty.html>



Make It Yours.

Asia Pacific - Cooler Master Technology Inc.
8F., No. 788-1, Zhongzheng Rd., Zhonghe Dist.,
New Taipei City 23586, Taiwan (R.O.C.).
Tel: +886-2-2225-3517

China - Cooler Master China
Room 2062, Floor 6, No. 421, Weiqing Rd.,
Jinshan District, Shanghai City, China
Tel: +86-21-51872177

Europe - Cooler Master Europe B.V.
Lodewijkstraat 1b, 5652AC Eindhoven, The Netherlands
Tel: +31-(0)40-702-0900

North America - Cooler Master NA
2929 E Imperial Hwy., Suite#110, Brea, CA 92821
Tel: +1-888-624-5099

South America
E-mail: Soporte_Latam@coolermaster.com.tw




Product Page

[https://www.coolermaster.com/catalog/cases/
full-tower/cosmos-c700p-black-edition/](https://www.coolermaster.com/catalog/cases/full-tower/cosmos-c700p-black-edition/)



Technical Support

account.coolermaster.com

512002540-GP Ver 1.0: 2019/04 

The color and specification are subject to be changed without further notification.
Please visit our website for updated information: www.coolermaster.com

©2019 Cooler Master Technology Inc. All Rights Reserved. All trademarks are registered to their respective owners.