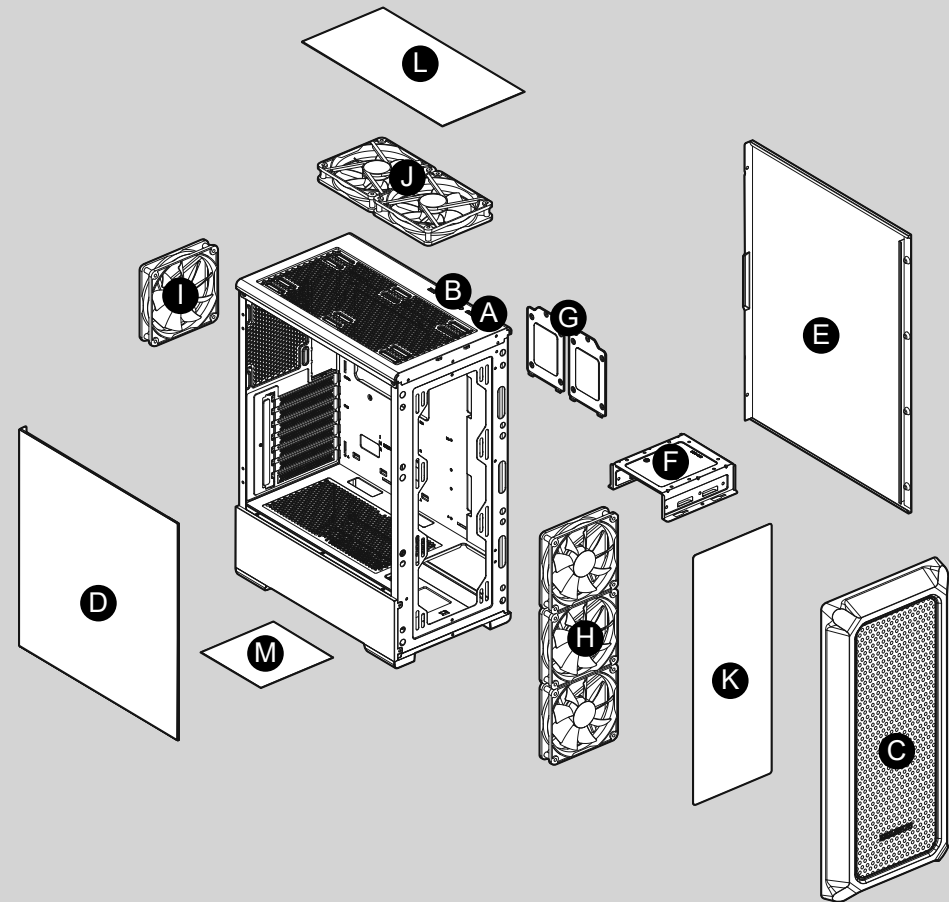




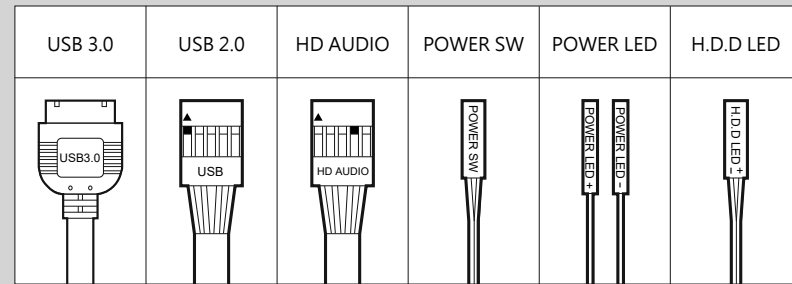
ARCHON 2 MESH RGB

Assembly Drawing



- A** Power button / RGB button
- B** USB 3.0 / USB 2.0 / HD audio ports
- C** Front panel
- D** Tempered glass side panel
- E** Right side panel
- F** 3.5" HDD cage (compatible for 2.5" HDD/SSD)
- G** 2.5" HDD/SSD trays
- H** 3 x 120mm / 2 x 140mm fans for front panel (120mm ARGB fans x 3 pre-installed)
- I** 1 x 120mm fan for rear panel (optional)
- J** 2 x 120mm / 2 x 140mm fans for top panel (optional)
- K** Air filter for front panel
- L** Air filter for top panel
- M** Air filter for bottom panel

Installing the Front I/O Connectors



ACCESSORY KIT

		Motherboard screws & 2.5" SSD screws	X 21
		Power supply screws	X 6
		3.5" HDD screws	X 8
		Stand-off for motherboard	X 3
		Fan screws	X 8
		Cable ties	X 5

ELEGANT ARGB MID TOWER CASE WITH POWERFUL MESH INTAKES

Archon 2 Mesh RGB sports an attractive and elegant design with three ARGB fans at the front panel. The integrated lighting button allows it to display amazing lighting effects. Powerful airflow, mighty support for up to a 360mm radiator, a 315mm graphic card, and a 170mm CPU cooler deliver superior value for you.

ELEGANT LOOKS WITH SUPERIOR AIRFLOW

Archon 2 Mesh RGB's front panel combines with excellent appearance and unobstructed airflow. The breathable steel mesh brings powerful cooling performance while keeping dust from getting in through.

INCREDIBLE RGB LIGHTING

Archon 2 Mesh RGB comes with 3 ARGB fans. You are freely to control several amazing lighting effects with the dedicated RGB button. The ARGB fans are also adaptable with any compatible motherboards' 5V ARGB connection for system-wide lighting synchronization.

TOP-NOTCH COOLING

Archon 2 Mesh RGB's compact layout allows you to install six fans, a 360mm water cooling radiator, and a 170mm CPU cooler. This immense cooling potential will enable you to choose components freely.

GREAT SUPPORT FOR COMPONENTS

Its advanced support for up to 315mm-long graphics cards, which allows you to enjoy the latest games with smooth framerates.

CLEAN AND TIDY LOOKS

Unlike most massive tempered glass panels, the full-length PSU shroud presents a distinctive view of divided design. The full-length PSU cover also allows you to hide the cables, improve the internal airflow, and showcase a clean build!

Model Name	ARCHON 2 MESH RGB (BLACK)/(WHITE)	
Model No.	CGR-5CC5B-MESH-RGB/CGR-5CC5W-MESH-RGB	
Case Form Factor	Mid Tower	
Motherboard Type	Mini ITX / Micro ATX / ATX	
Dimensions (WxHxD)	210 (W) x 470 (H) x 380 (D) mm 8.3 (W) x 18.5 (H) x 15 (D) in	
I/O Panel	USB 3.0 x 2, USB 2.0 x 1, Mic x 1 / Audio x 1, RGB Button	
3.5" Drive Bay	2	
2.5" Drive Bay	2+1 (converted from 3.5" drive bay) / (2 SSD trays included)	
Expansion Slots	7	
Cooling Fan Support	Front	120mm x 3 / 140mm x 2 (120mm ARGB fan x 3 pre-installed)
	Top	120mm x 2 / 140mm x 2
	Rear	120mm x 1
Maximum Number of Fans	6 Max.	
Water Cooling Support	Front	*360mm / 280mm / 240mm / 140mm / 120mm
	Top	240mm / 120mm
	Rear	120mm
Transparent Left Panel	3mm Tempered Glass	
RGB Sync with M/B	Yes	
Max. Graphics Card Length	315 (mm) / 12.4 in	
Max. CPU Cooler Height	170 (mm) / 6.7 in	
Max. PSU Length	*160 (mm) / 6.3 in	

*When install a 360mm radiator at the front, the maximum PSU length is 140mm. Specifications might vary depending on the country or region of sale.

БЪЛГАРИЯ

• Подробни инструкции за употреба изтеглете от: <https://cougargaming.com/bg>



България QR код

GLOBAL WARRANTY POLICY

WARRANTY PERIODS OF COUGAR GAMING DEVICES

Product : COUGAR ARCHON 2 MESH RGB

Warranty : 1 Year

• This warranty gives you specific legal rights. You may also have other rights granted under local law.

These rights may vary.

• Only for electrical components.

ДАТА ИЗГОТОВЛЕНИЯ ПРОДУКЦИИ

год и месяц изготовления продукции указаны в серийном номере продукта. (существует 2 способа определения даты изготовления, оба способа описаны ниже)

A После S/N: первые две цифры означают год, вторые две – месяц изготовления. Например, S/N: H1702000001 означает, что товар был произведен в феврале 2017 года.

B После S/N: если указаны буквы, то две буквы представляют цифры из таблицы ниже, и означают год, последующие две цифры – месяц изготовления. Например, S/N: D**AG02**REVI000001 означает, что товар был произведен в феврале 2017 года.

A	B	C	D	E	F	G	H	I	J
1	2	3	4	5	6	7	8	9	0

• Например, AG = 17 = 2017 год

ENGLISH

- Mesh front panel with powerful airflow
- Integrated RGB system with 5V ARGB motherboard synchronization
- Support for ATX motherboards
- Massive tempered glass side window
- Up to 315mm graphics cards
- Up to six fans and 170mm CPU cooler
- Up to a 360mm water cooling radiator

DEUTSCH

- Mesh-Frontpanel mit starkem Luftstrom
- Integriertes RGB-System mit 5V ARGB-Motherboard-Synchronisation
- Unterstützung für ATX Motherboards
- Massives Seitenfenster aus gehärtetem Glas
- Bis zu 315 mm Grafikkarten
- Bis zu sechs Lüfter und 170 mm CPU-Kühler
- Bis zu 360 mm Wasserkühler

ESPAÑOL

- Panel frontal de malla con potente flujo de aire
- Sistema RGB integrado con sincronización de placa base ARGB de 5 V
- Soporte para placas base ATX
- Ventana lateral de vidrio templado masivo
- Tarjetas gráficas de hasta 315 mm
- Hasta seis ventiladores y enfriador de CPU de 170 mm
- Radiador de refrigeración por agua de hasta 360 mm

日本語

- 強力なエアフローを備えたメッシュフロントパネル
- 5V ARGB マザーボード同期を備えた統合RGBシステム
- ATXマザーボードのサポート
- 巨大な強化ガラスのサイドウィンドウ
- 最大315mmのグラフィックカード
- 最大6つのファンと170mmのCPUクーラー
- 最大360mmの水冷ラジエーター

中文

- 铁网面板带来强大的散热气流
- RGB整合系统支援5V ARGB主机灯效同步控制功能
- 支持ATX主板
- 全景钢化玻璃侧窗
- 最高支持 315mm 显卡
- 最高支持6个风扇和170mm CPU散热器
- 最高支持360mm 水冷排

PORTUGUÊS

- Painel frontal em malha com fluxo de ar poderoso
- Sistema RGB integrado com sincronização da placa-mãe 5V ARGB
- Suporte para placas-mãe ATX
- Janela lateral de vidro temperado maciço
- Placas gráficas de até 315 mm
- Até seis ventiladores e cooler para CPU de 170 mm
- Radiador de refrigeração de água de até 360 mm

РУССКИЙ

- Сетчатая передняя панель с мощным воздушным потоком.
- Интегрированная система RGB с синхронизацией материнской платы 5V ARGB
- Поддержка материнских плат ATX.
- Массивное боковое окно из закаленного стекла.
- Видеокарты до 315 мм
- До шесть вентиляторов и 170-мм кулер для процессора
- Радиатор водяного охлаждения диаметром до 360 мм.

FRANÇAIS

- Panneau avant en mesh avec flux d'air puissant
- Système RVB intégré avec synchronisation de la carte mère ARGB 5V
- Prise en charge des cartes mères ATX
- Vitre latérale massive en verre trempé
- Cartes graphiques jusqu'à 315 mm
- Jusqu'à six ventilateurs et refroidisseur de processeur de 170 mm
- Jusqu'à un radiateur de refroidissement par eau de 360 mm

POLISH

- Przedni panel z siateczki z silnym przepływem powietrza
- Zintegrowany system RGB z synchronizacją płyty głównej 5 V ARGB
- Obsługa płyt głównych ATX
- Masywna szyba boczna z hartowanego szkła
- Karty graficzne do 315 mm
- Do sześć wentylatorów i 170 mm chłodzenie procesora
- Do 360 mm chłodnicy wody chłodzącej

ITALIA

- Pannello frontale in mesh con potente flusso d'aria
- Sistema RGB integrato con sincronizzazione scheda madre 5V ARGB
- Supporto per schede madri ATX
- Massiccio finestrino laterale in vetro temperato
- Schede grafiche fino a 315 mm
- Fino a sei ventole e dispositivo di raffreddamento della CPU da 170 mm
- Radiatore di raffreddamento ad acqua fino a 360 mm

한국어

- 강력한 공기 흐름이있는 메시 전면 패널
- 5V ARGB 마더 보드 동기화를 지원하는 통합 RGB 시스템
- ATX마더 보드 지원
- 대형 강화 유리 측면 창
- 최대 315mm 그래픽 카드
- 최대 6 개의 팬과 170mm CPU 쿨러
- 최대 360mm 수냉 라디에이터

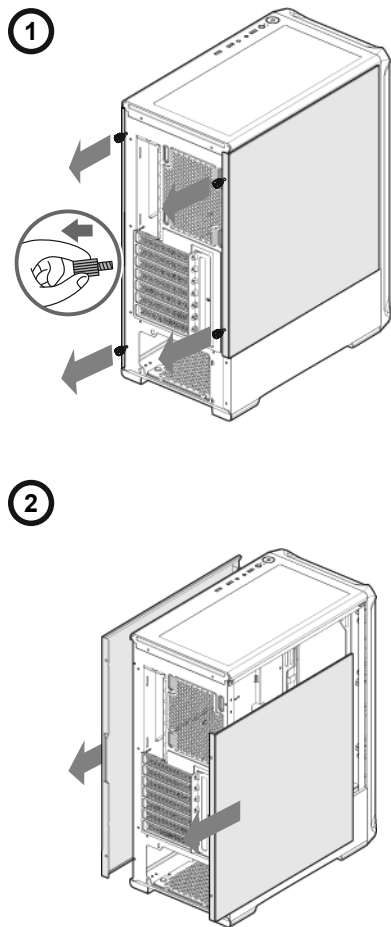
• يجب تركيب كل قطعة بحذر و بمكانها المناسب.

• من يقوم بعلية التركيب الشخص المختص فقط.

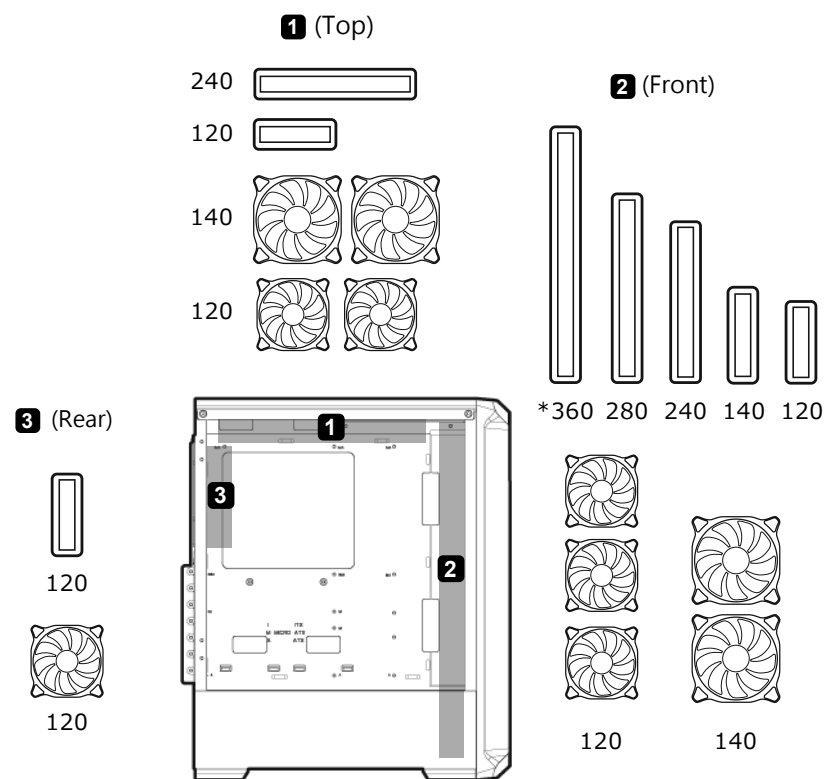
تعليمات التركيب و الأمان:

- عند التركيب أو التفكيك يجب التأكد من أن جميع الأسلاك مفسولة عن الكهرباء.
- يجب اتخاذ الاحتراوات اللازمة لمنع الصعق الكهربائي.
- يجب ارتداء الملابس المناسبة أثناء تركيب/ تجميع الكمبيوتر.

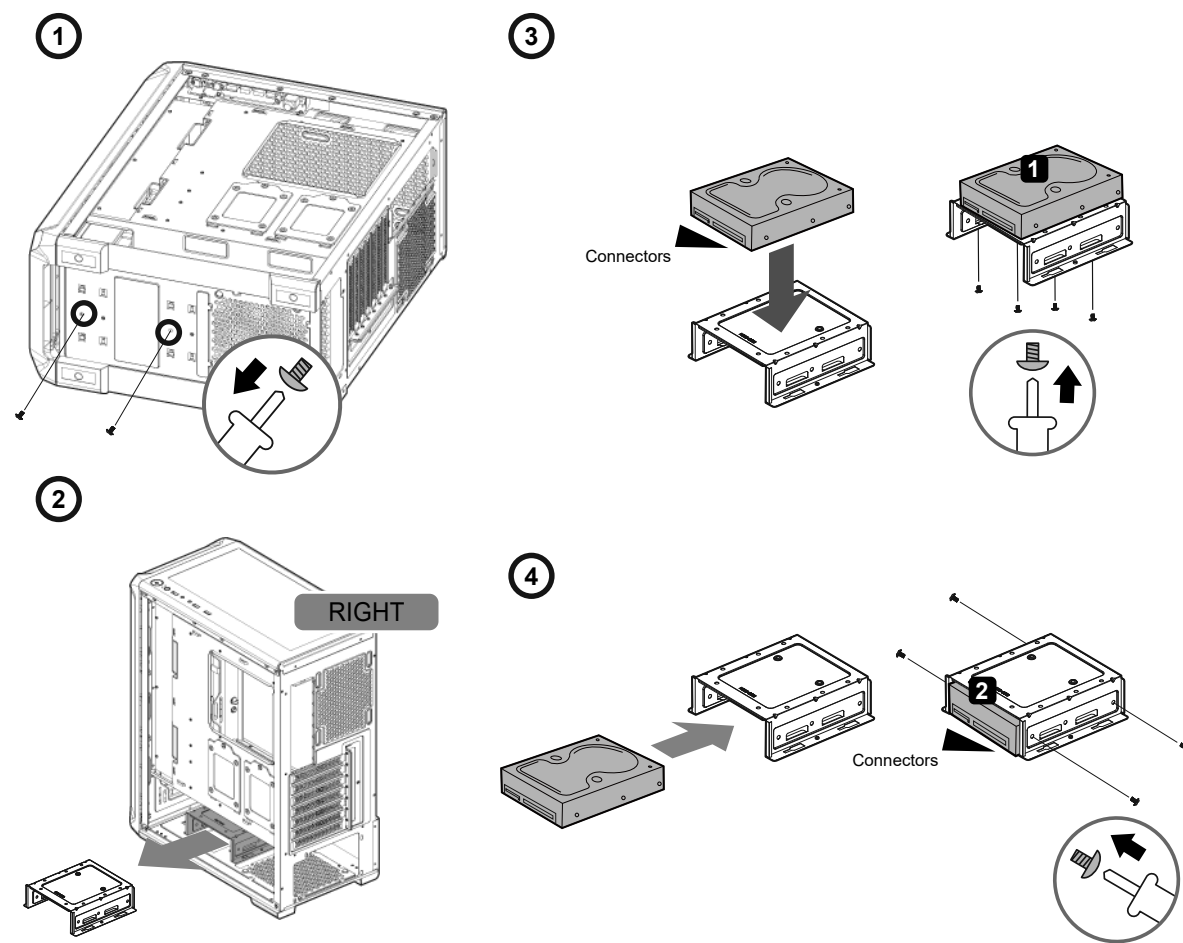
Removing the side panels



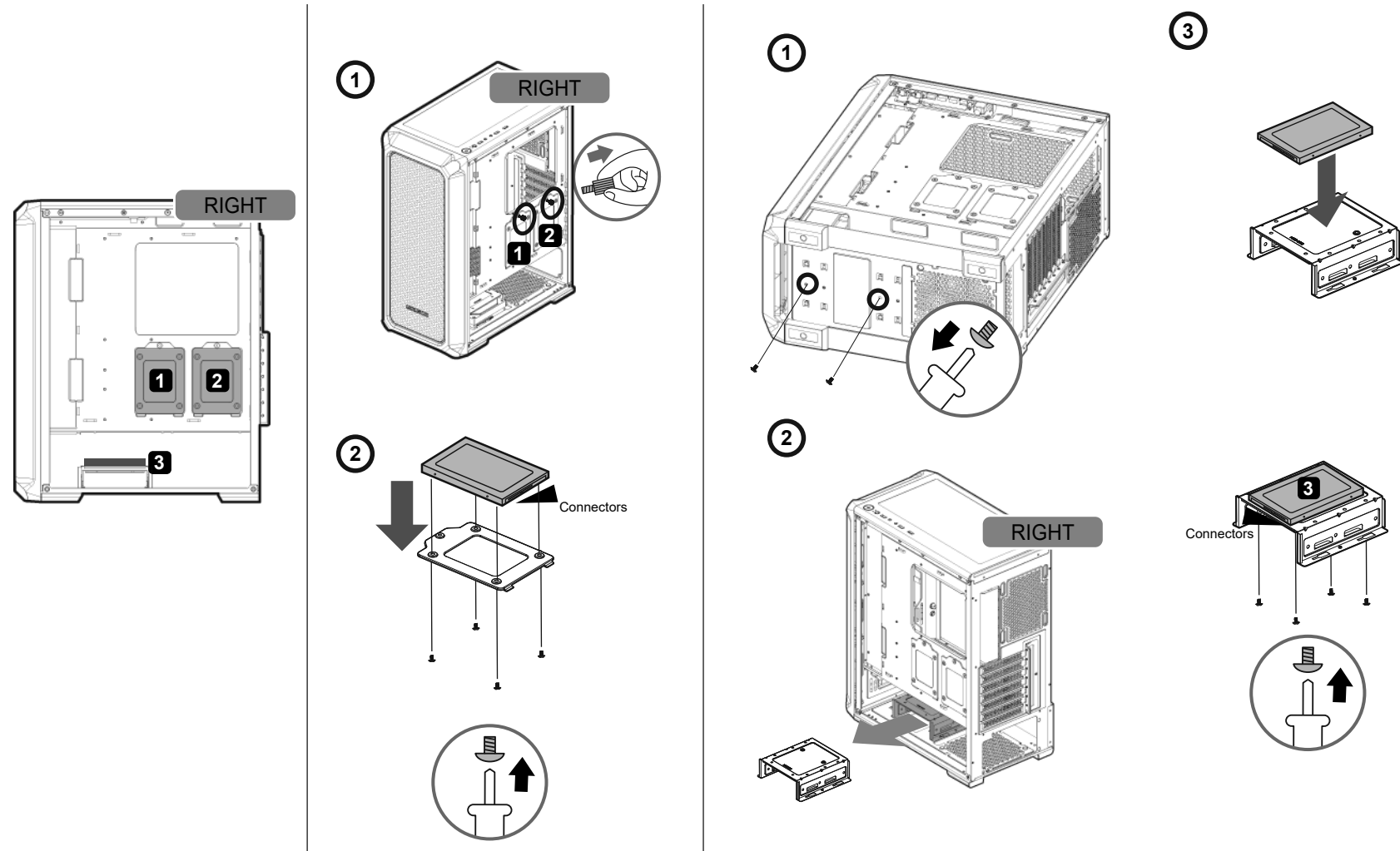
Installing water cooling radiators & cooling fans



Installing 3.5" HDDs



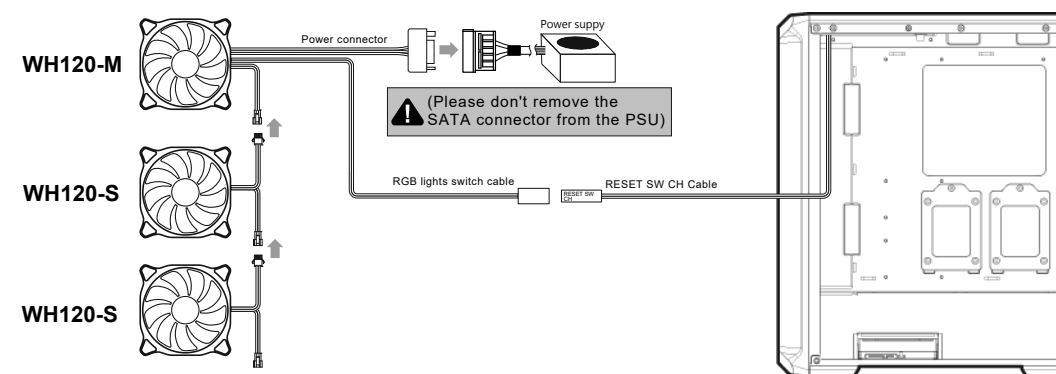
Installing 2.5" SSDs /HDDs



Controlling lighting modes

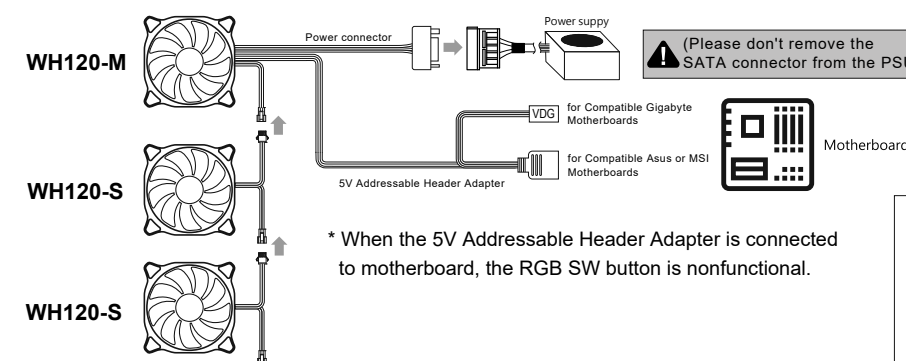
• First Mode: Several Lighting Effects

Please connect the power cable of the WH120-M fan to a SATA connector from the PSU. You can use the top panel's RGB SW button to switch various beautiful lighting effects we have preset for you.
 ※ If you press and hold the RGB SW button for 3 second. The lights of the fans will be turned off.



• Second Mode: Motherboard Synchronization

Please use the included adapter to connect to a compatible motherboard's 3-pin 5V Addressable RGB header and enjoy system-wide ARGB synchronization.
 ※ If you unplug the adapter, the fans will be returned to the first mode.



* When the 5V Addressable Header Adapter is connected to motherboard, the RGB SW button is nonfunctional.