



# **MAG Series**

## **Power Supply Unit**

MAG A750BN PCIE5

User Guide

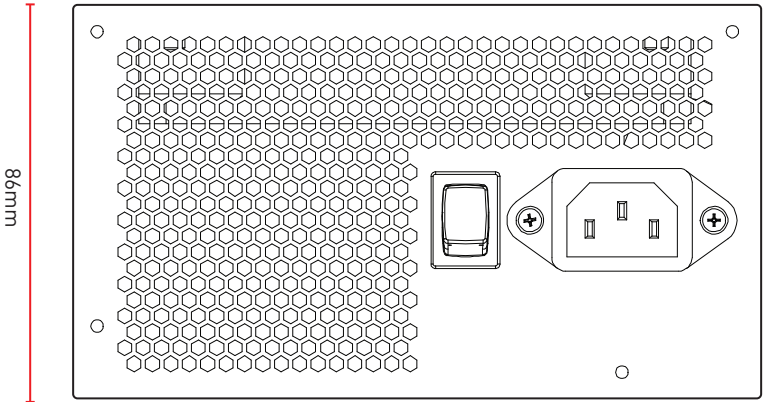
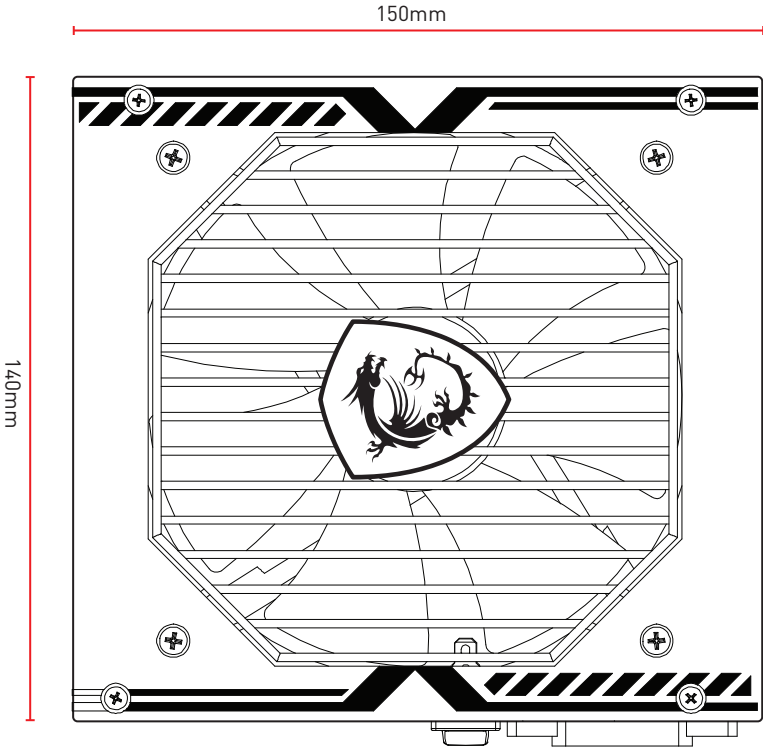
# Contents

Specifications.....	2
Dimensions .....	3
Number of Power Connectors .....	4
Connectivity and Cable Lengths.....	5
PCIe 16 Pin Cable Installation .....	7
Regulatory Notices.....	8

# Specifications

Voltage	+5V	+3.3V	+12V	-12V	+5Vsb
Max load	20.0A	20.0A	62.5A	0.3A	2.5A
Min load	0.0A	0.0A	0.0A	0.0A	0.0A
Combined power	120W		750W	3.6W	12.5W
Total Power	750W				
Regulation	±5%	±5%	±5%	±10%	±5%
Ripple & Noise	50mV	50mV	120mV	120mVp	50mV

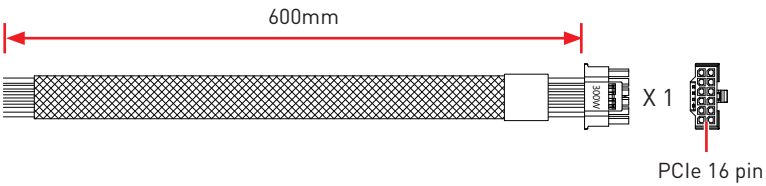
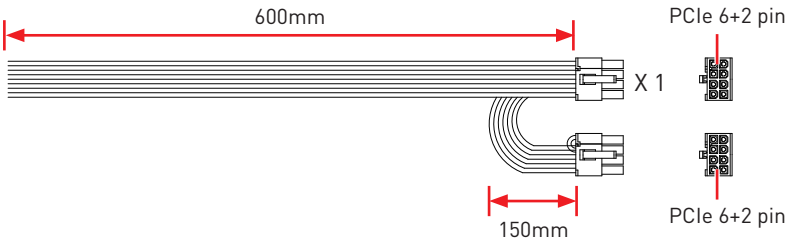
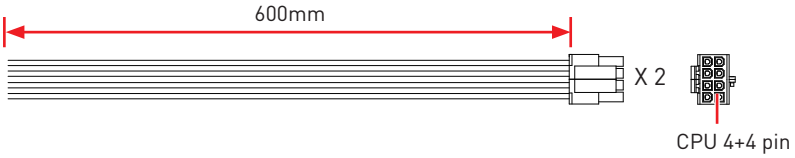
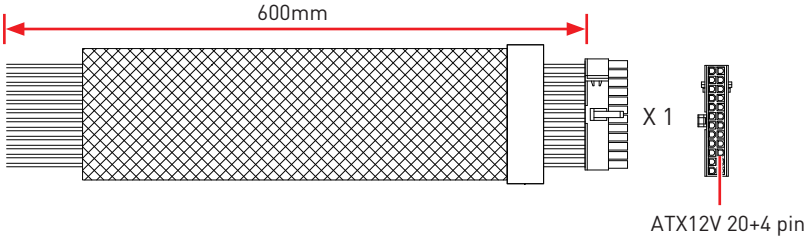
# Dimensions

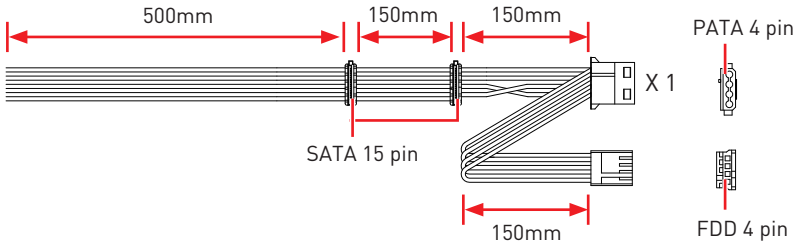
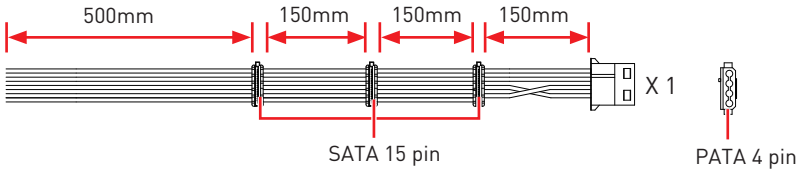


# Number of Power Connectors

Power Connectors	MAG A750BN PCIE5
ATX12V (Motherboard) 20+4 pin	1
PCIe 16 pin	1
EPS12V (CPU) 4+4 pin	2
PCIe (VGA) 6+2 pin	2
SATA 15 pin	5
Peripheral (PATA) 4 pin	2
FDD 4 pin	1

# Connectivity and Cable Lengths

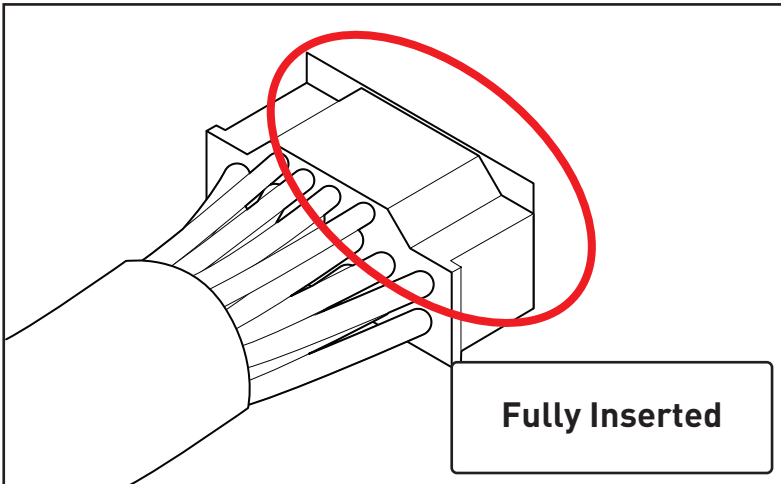
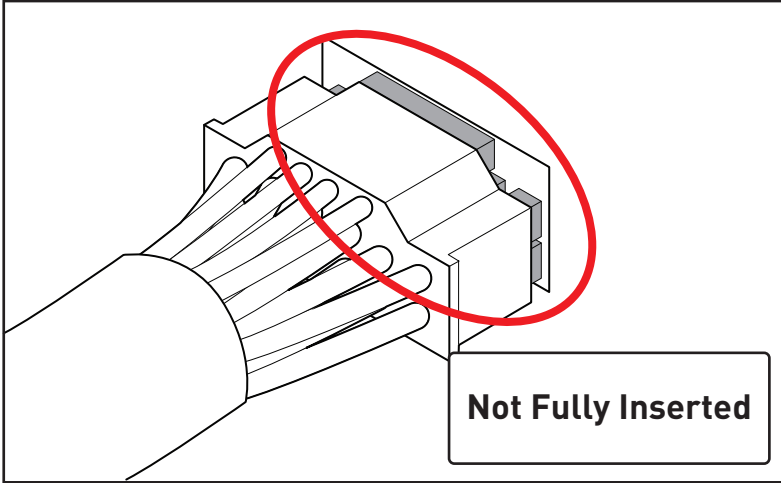




# PCIe 16 Pin Cable Installation

 **CAUTION**

*Please fully insert the cable before use.*





# Regulatory Notices

## Model Number

Model No.: 7ZP2C