

# OfficePal C10

**Manual**

# Specifications

## General

■ Foam Type	Molded Foam
■ Foam Density	45 kg/m <sup>3</sup>
■ Frame Construction	Nylon
■ Seat Cover Material	Fabric (Seat Base) / Mesh (Backrest)
■ Color Versions	Black
■ Adjustable Armrests	Height
■ Armrest Pad Size (L x W)	24 x 7.5 cm
■ Mechanism	Conventional Tilt
■ Tilt Lock	✓
■ Tilt Angle Lock	✓
■ Adjustable Tilt Angle	0° – 35°
■ Gas Lift Piston	Class 4
■ Seat Back Style	High-Back
■ Adjustable Headrest	3D
■ Adjustable Lumbar Support	3D
■ Base Type	Nylon Five-Star Base
■ Wheel Size	60 mm
■ Assembly Required	✓

## Safety Certifications

■ Chair (General)	DIN EN 1335-1/2
■ Gas Lift Piston	DIN EN 16955

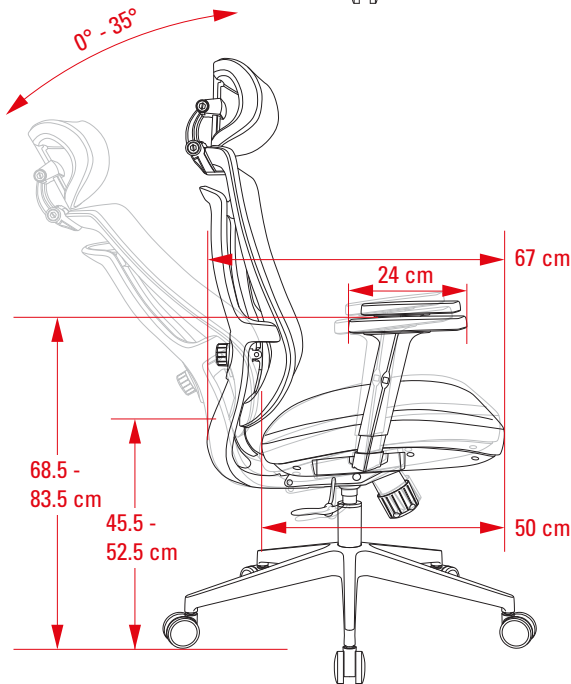
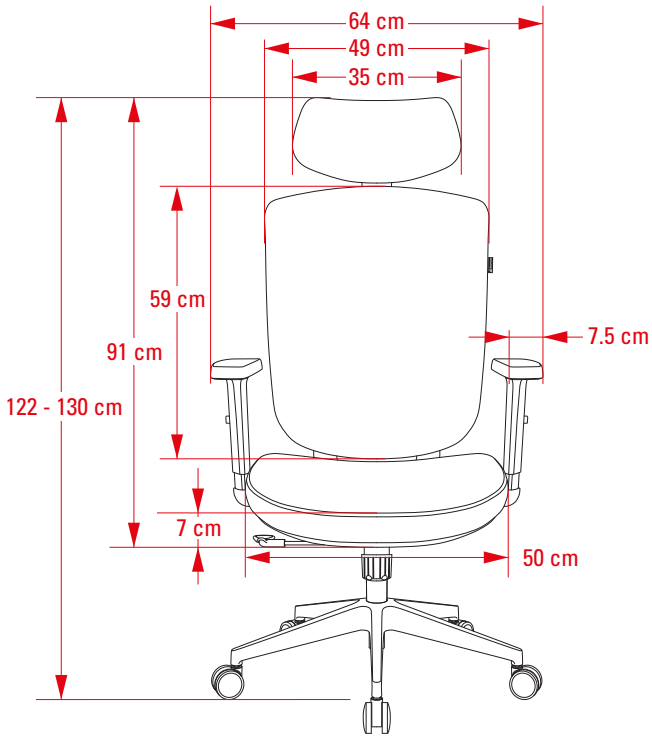
## Weight & Dimensions

■ Seating Size (W x D)	50 x 50 cm
■ Maximum Seating Height	53.5 cm
■ Minimum Seating Height	45.5 cm
■ Max. Armrest Height from Floor	84 cm
■ Min. Armrest Height from Floor	68 cm
■ Backrest Height	60 cm
■ Backrest Shoulder Width	49 cm
■ Max. Height of Recommended User	180 cm
■ Weight	15.1 kg
■ Max. Weight Capacity	110 kg
■ Package Size (L x W x H)	74 x 59 x 35 cm

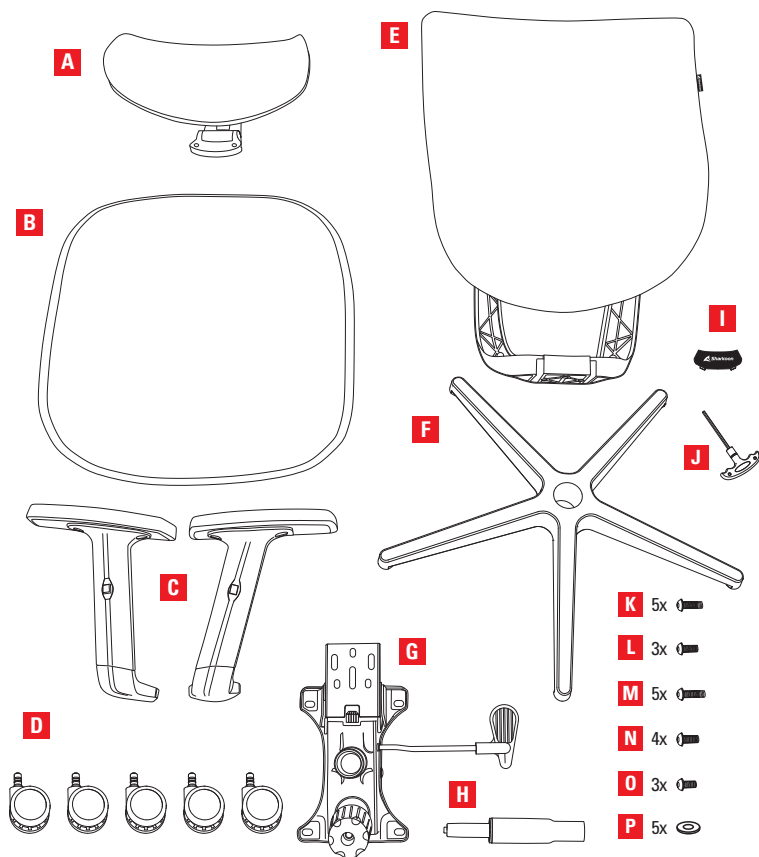
## Package Contents

■ OfficePal C10, Accessory Set
--------------------------------

# Dimensions



# Package Contents



**A** 1x Headrest

**B** 1x Seat base

**C** 2x Armrest

**D** 5x 60 mm wheel

**E** 1x Backrest

**F** 1x Five-star base

**G** 1x Chair mechanism

**H** 1x Gas lift piston

**I** 1x Screw cover

**J** 1x Hex key

**K** 5x M6 x 40 mm (armrest)

**L** 3x M6 x 30 mm (armrest)

**M** 5x M6 x 45 mm (mechanism)

**N** 4x M8 x 20 mm (backrest)

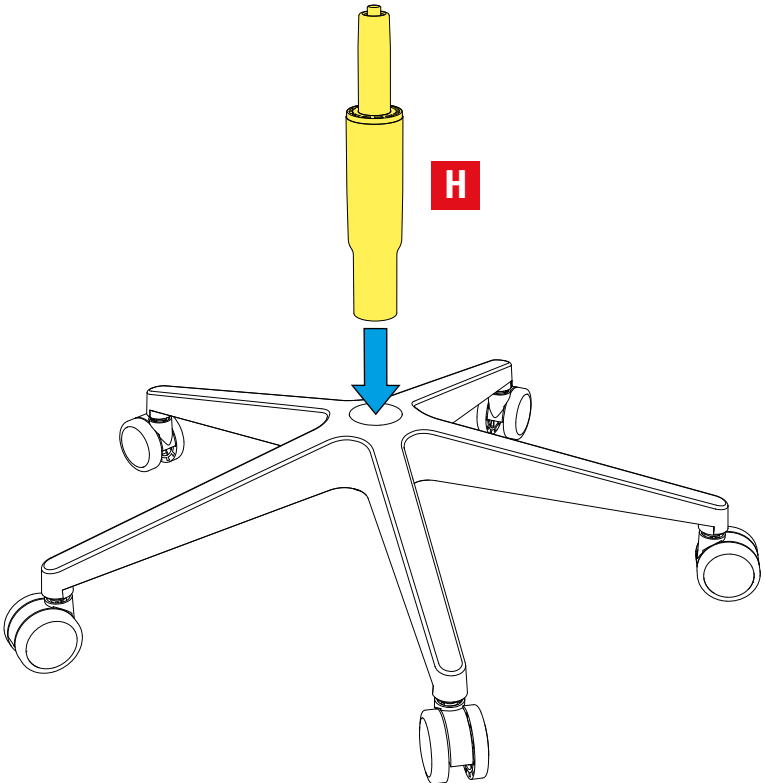
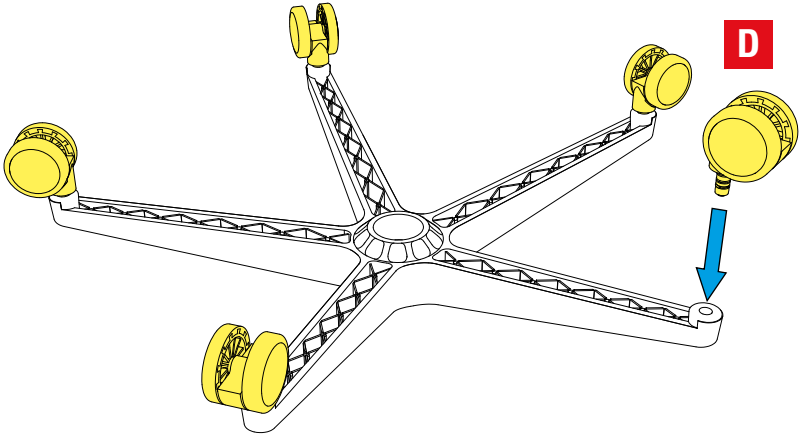
**O** 3x M6 x 25 mm (headrest)

**P** 5x Washer (mechanism)

# Safety Instructions

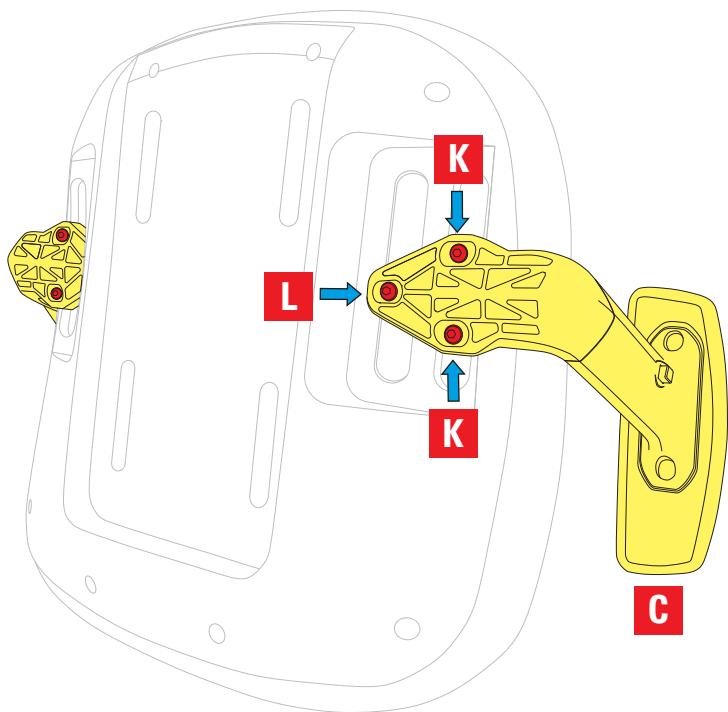
1. We recommend that the chair be assembled with the help of a second person.
2. To avoid any possibility of the chair tipping over, ensure that the weight on the chair is evenly distributed.
3. Ensure you keep your feet on the ground at all times.  
Do not sit on the armrests.
4. Do not place heavy objects on the chair and do not use it as a ladder.
5. Avoid direct sunlight to ensure plastic components do not become brittle.
6. Do not use aggressive cleaning agents to clean the chair.
7. The chair is classified as a type-C office work chair.
8. Attention! Only instructed personnel should exchange or work on the chair adjustment elements.
9. We recommend using the chair only on standard, even floor surfaces and only indoors.
10. Ensure that all parts are intact and properly installed. Incorrect installation may result in injury. Damaged parts can affect safety and function.
11. Do not use the chair when parts are damaged or missing. Damaged parts can affect safety and function.
12. Never stand on the chair, use as a ladder, climbing aid or the like.
13. Keep small parts and packaging away from children.  
There is a risk of suffocation!
14. The chair is not a children's toy. Keep babies and toddlers away from the swivel chair.
15. With sensitive hard floors (e.g. laminate, cork, parquet), use a commercially available floor protection mat.
16. The manufacturer assumes no liability for direct damage or consequential damage resulting from improper use or non-observance of the instructions.
17. The chair is durable up to 110 kg.

# Five-Star Base and Gas Lift Piston





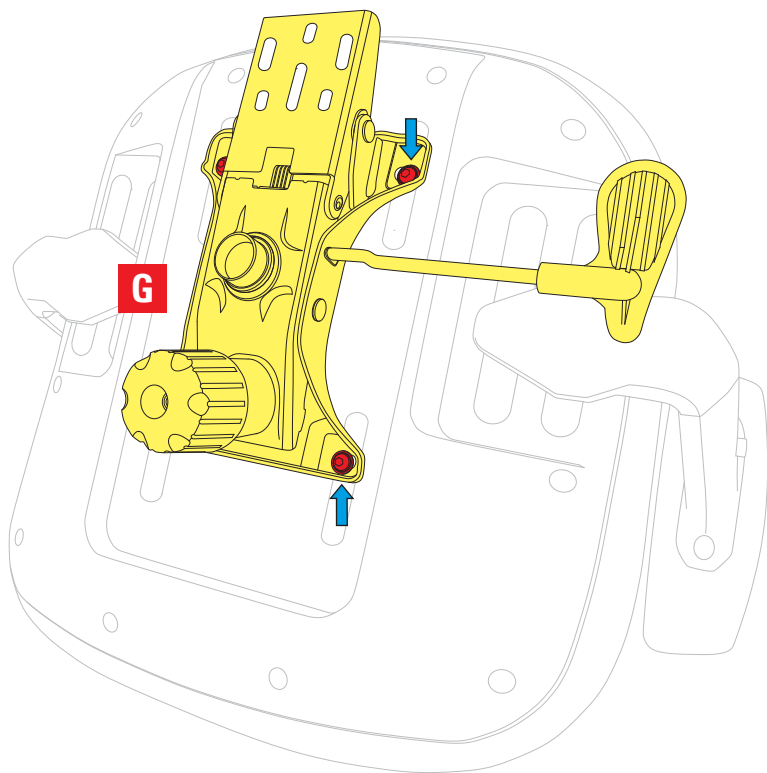
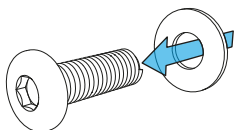
# Connect Armrests with Seat Base

<b>K</b> 4x 	<b>L</b> 2x 
---	---



# Connect Mechanism

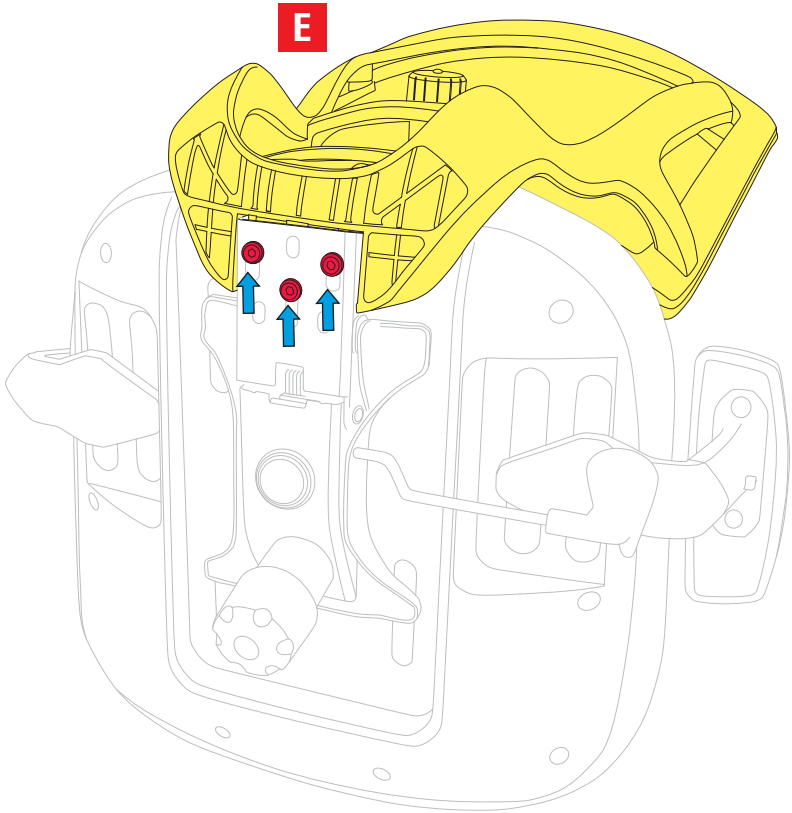
<b>M</b> 4x 	<b>P</b> 4x 
---	---



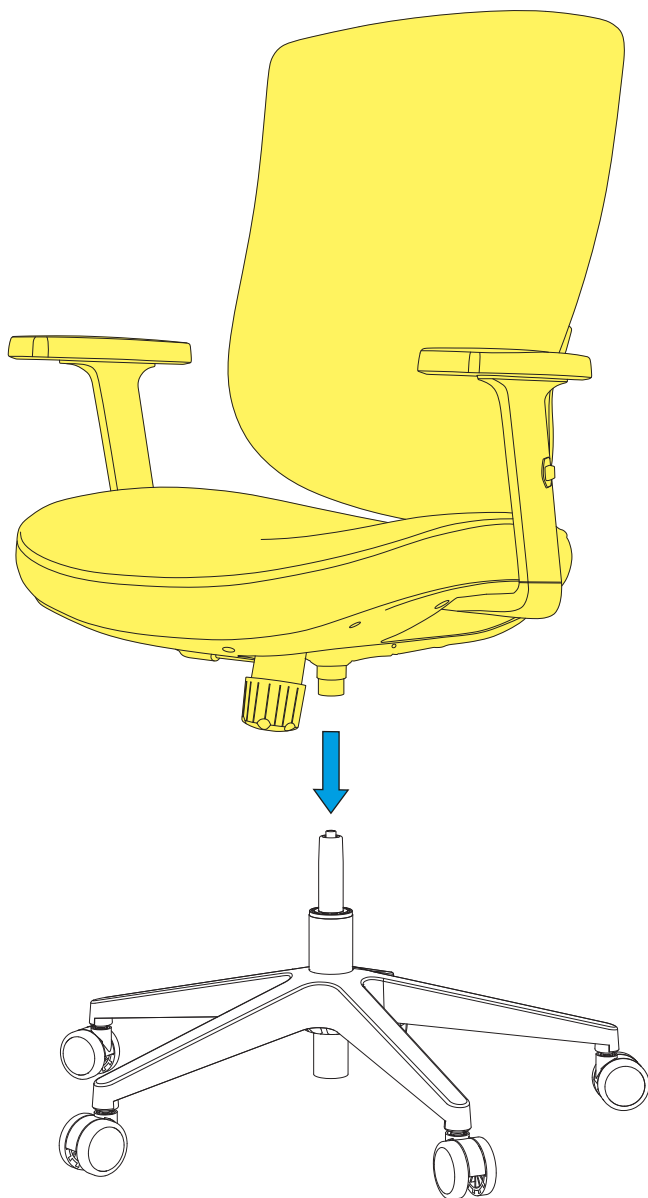


# Connect Backrest with Seat Base

**N** 3x 



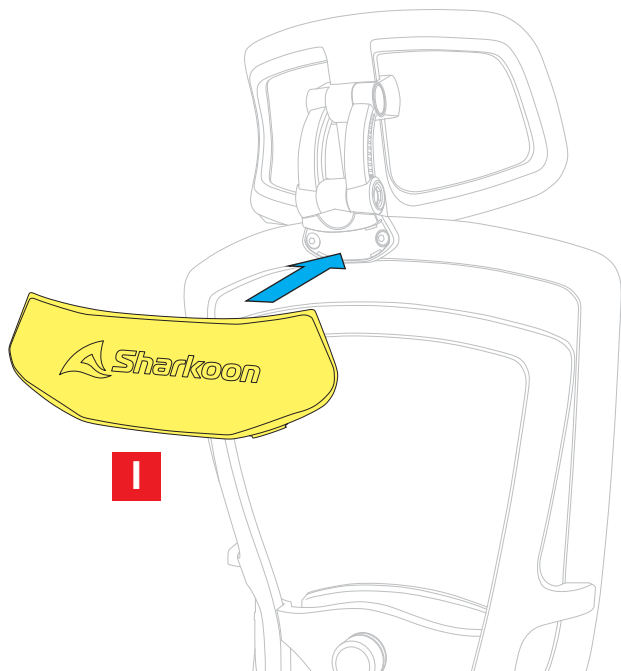
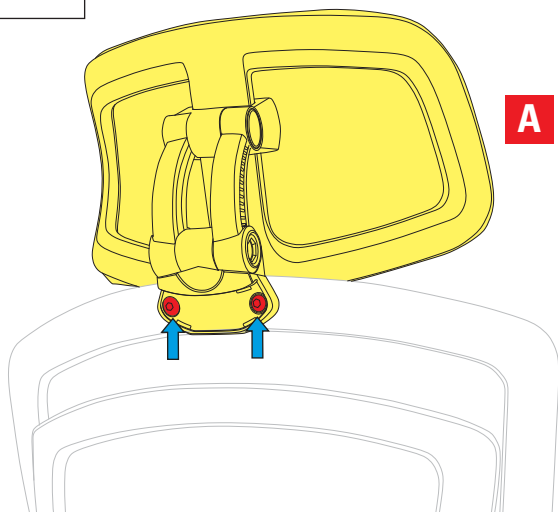
# Linking the Parts



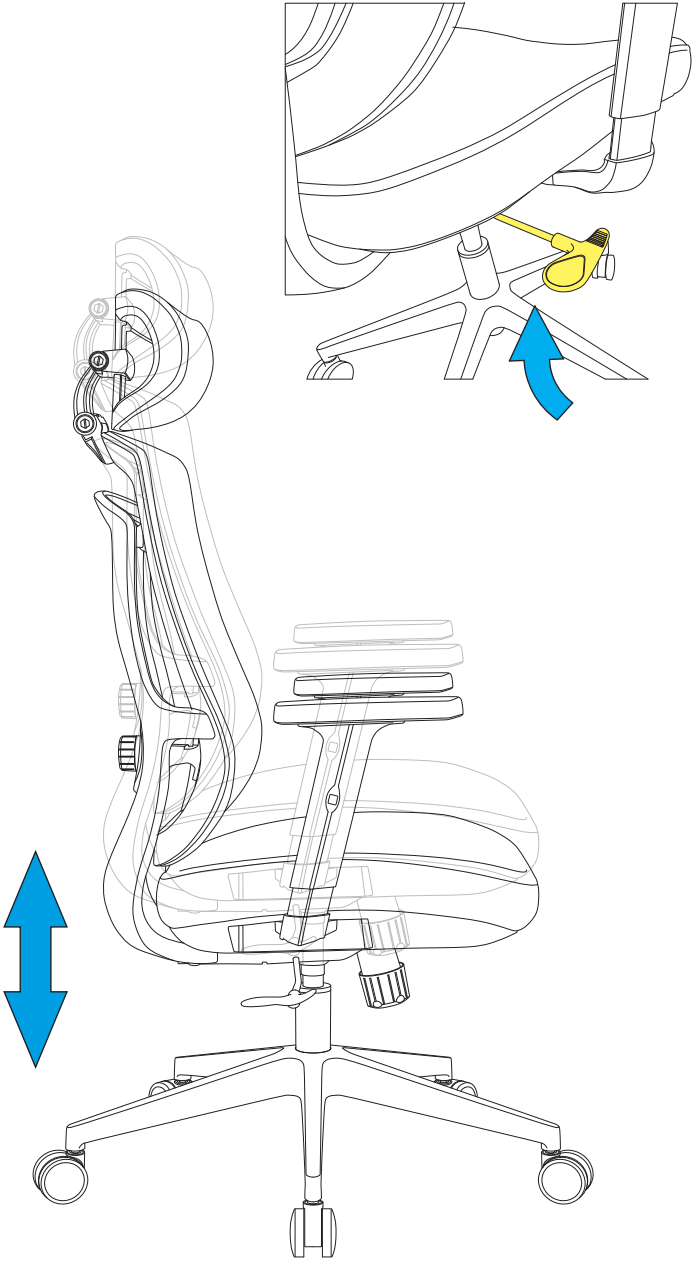
**Attention! To avoid damage to property or personal injury, ensure that the gas lift piston and chair mechanism are mounted correctly!**

# Connect Headrest with Backrest

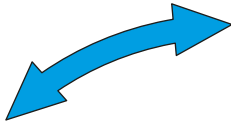
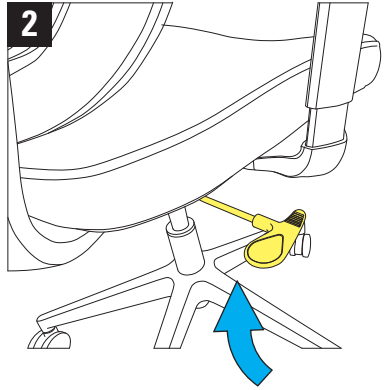
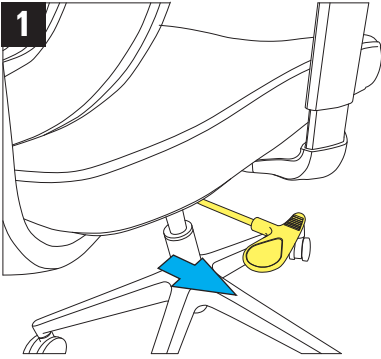
0 2x 



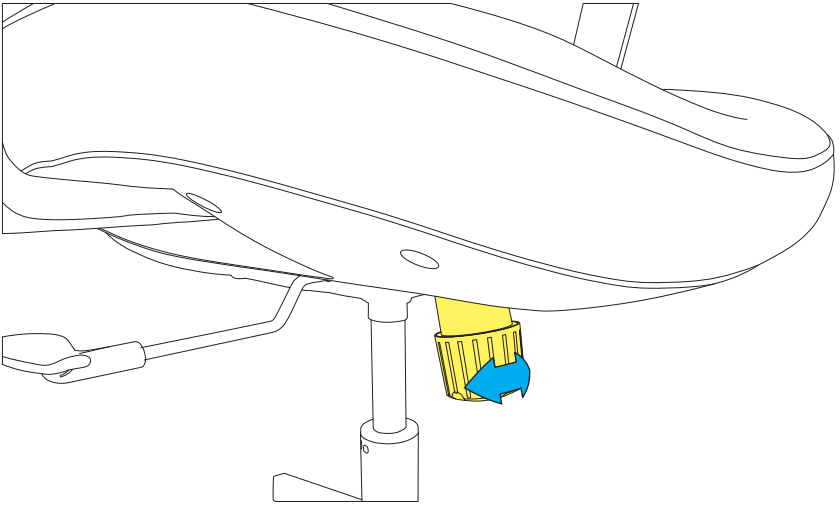
# Adjust Chair Height



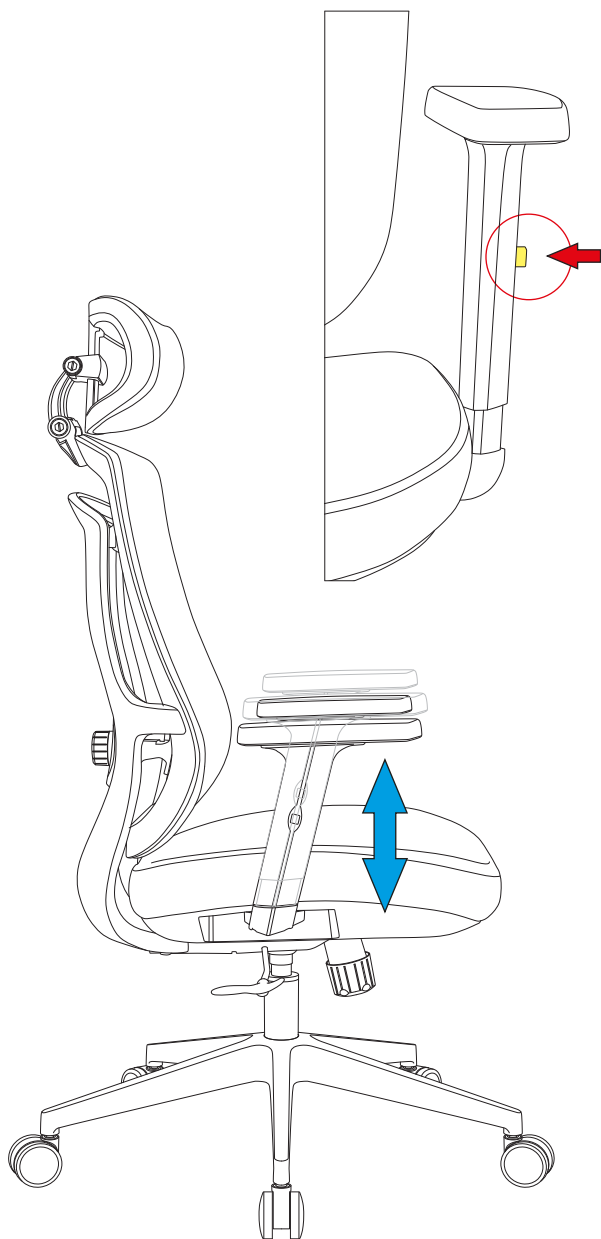
# Adjust Tilt



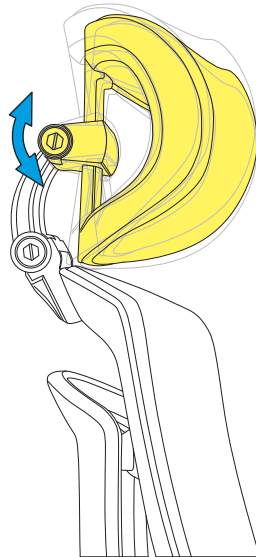
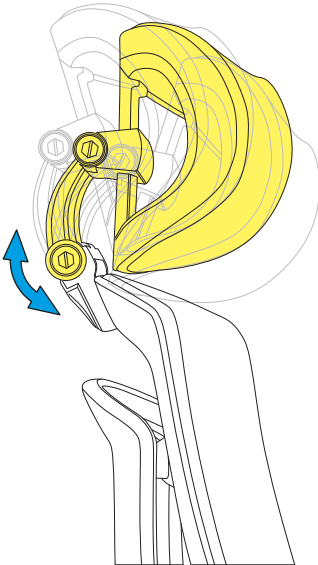
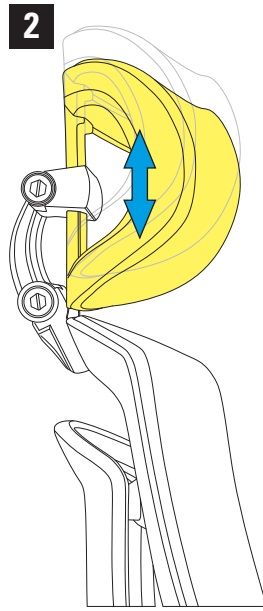
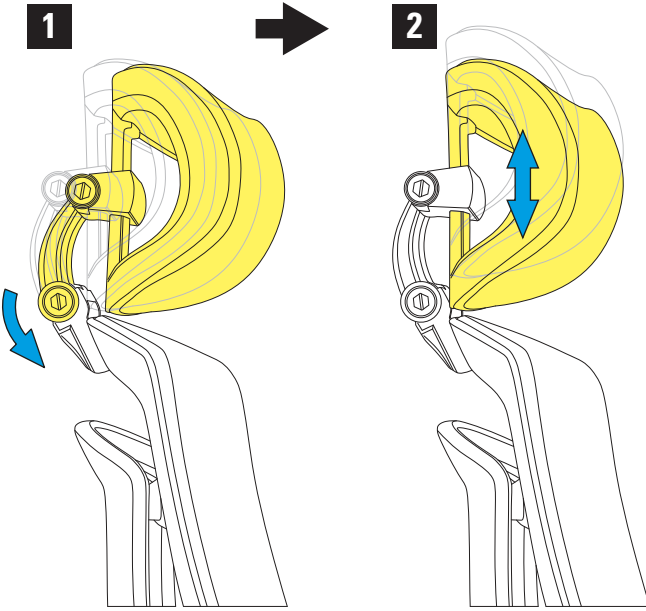
# Adjust Tilt Tension



# Adjust Armrests

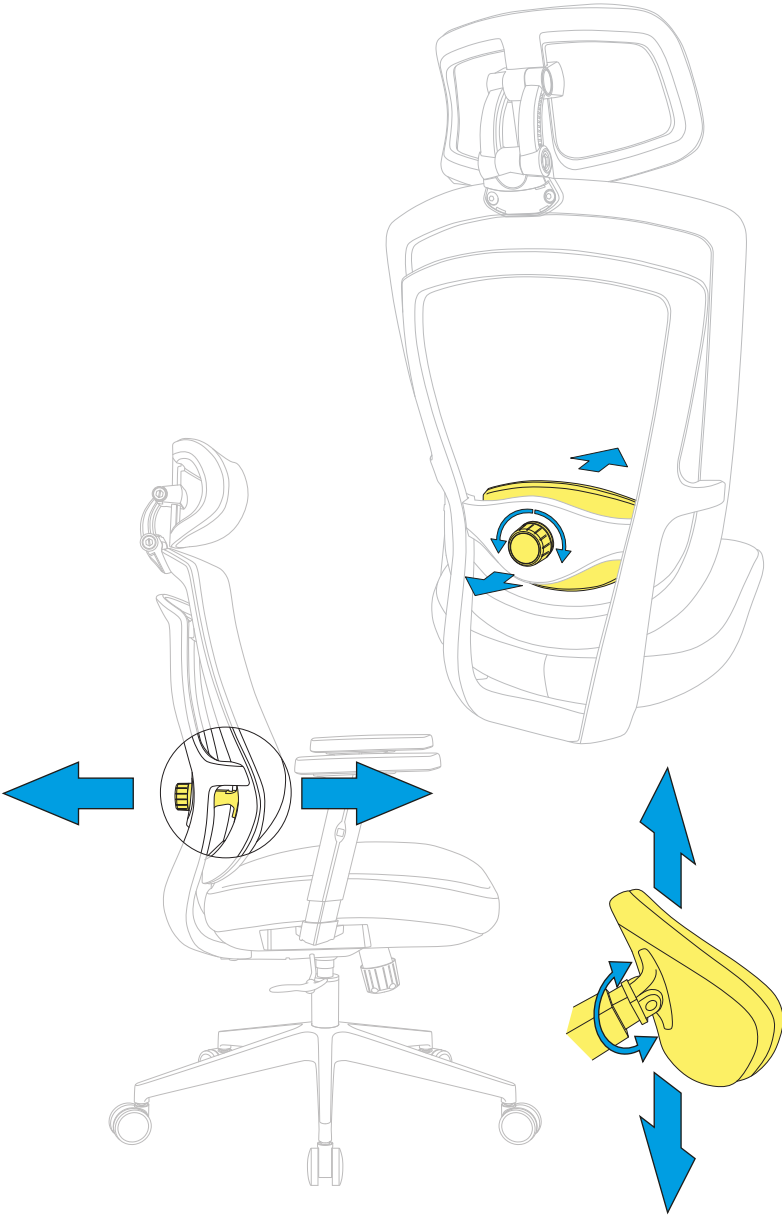


# Adjust Headrest





# Adjust Lumbar Support



## Legal Disclaimer

For potential loss of data, especially due to inappropriate handling, Sharkoon assumes no liability.

All named products and descriptions are trademarks and/or registered trademarks of the respective manufacturers and are accepted as protected. As a continuing policy of product improvement at Sharkoon, the design and specifications are subject to change without prior notice. National product specifications may vary.

All rights reserved especially (also in extracts) for translation, reprinting, reproduction by copying or other technical means. Infringements will lead to compensation. All rights reserved especially in case of assignation of patent or utility patent. Means of delivery and technical modifications reserved.

## Disposal of your old products

Your product is designed and manufactured with high quality materials and components, which can be recycled and reused.



When this crossed-out wheeled bin symbol is attached to a product, it means the product is covered by the European Directive 2012/19/EU.

Please be informed about the local separate collection system for electrical and electronic products. Please act according to your local rules and do not dispose of your old products with your normal household waste. The correct disposal of your old product will help prevent potential negative consequences to the environment and human health.

## Follow us on social media!



Facebook



Instagram



YouTube



TikTok



X

**Sharkoon Technologies GmbH**

Grüninger Weg 48

35415 Pohlheim

Germany

© **Sharkoon Technologies 2024**