



# OfficePal C40/C40M

**Manual**

# Specifications

<b>General:</b>	<b>OfficePal C40</b>	<b>OfficePal C40M</b>
■ Foam Type:	High-Density Molded Foam (Seat Base)	
■ Foam Density:	60 – 65 kg/m <sup>3</sup>	
■ Frame Construction:	Nylon	Nylon
■ Seat Cover Material:	Mesh (Backrest) & Fabric (Seat Base)	Mesh
■ Color Versions:	Black	Grey
■ Adjustable Armrests:	4D	4D
■ Armrest Pad Size (L x W):	27 x 10 cm	27 x 10 cm
■ Mechanism:	Wireline Control Mechanism	Wireline Control Mechanism
■ Tilt Lock:	✓	✓
■ Tilt Angle Lock:	✓	✓
■ Adjustable Tilt Angle:	0° – 35°	0° – 35°
■ Gas Lift Piston:	Class 4	Class 4
■ Seat Back Style:	High-Back	High-Back
■ Adjustable Headrest:	3D	3D
■ Adjustable Backrest:	5 Heights	5 Heights
■ Adjustable Seat Depth:	✓	✓
■ Base Type:	Nylon Five-Star Base	Nylon Five-Star Base
■ Wheel Size:	60 mm	60 mm
■ Assembly Required:	✓	✓

## Safety Certifications:

■ Chair (General):	DIN EN 1335-1/2	DIN EN 1335-1/2
■ Gas Lift Piston:	DIN EN 16955	DIN EN 16955

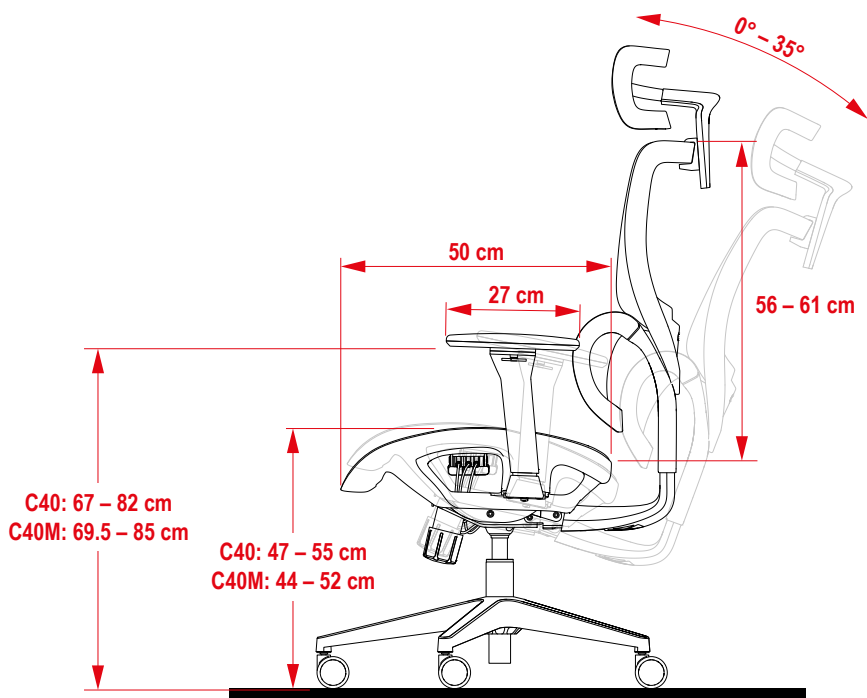
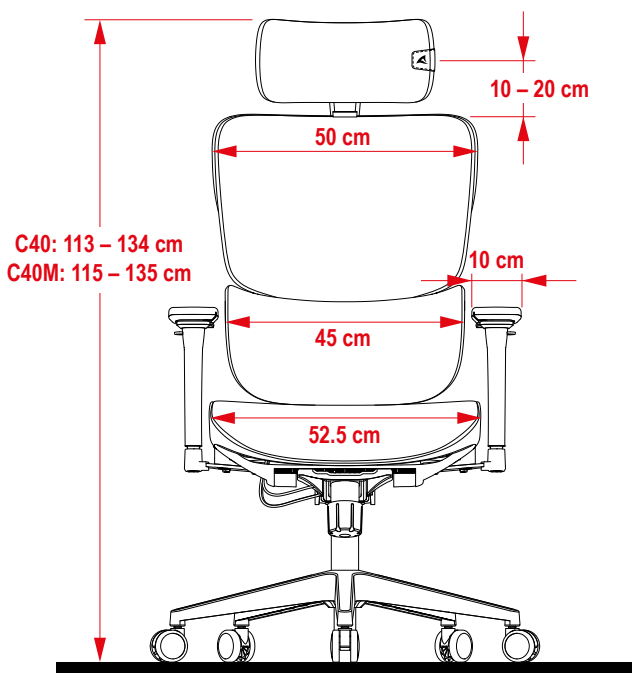
## Weight & Dimensions:

■ Seating Size (W x D):	52.5 x 50 cm	52.5 x 50 cm
■ Maximum Seating Height:	55 cm	52 cm
■ Minimum Seating Height:	47 cm	44 cm
■ Max. Armrest Height from Floor:	82 cm	85 cm
■ Min. Armrest Height from Floor:	67 cm	69.5 cm
■ Backrest Height:	56 – 61 cm	56 – 61 cm
■ Backrest Shoulder Width:	50 cm	50 cm
■ Package Size (L x W x H):	71.5 x 58 x 49 cm	71.5 x 58 x 49 cm
■ Weight:	21.32 kg	19.72 kg
■ Max. Height of Recommended User:	200 cm	200 cm
■ Max. Weight Capacity:	150 kg	150 kg

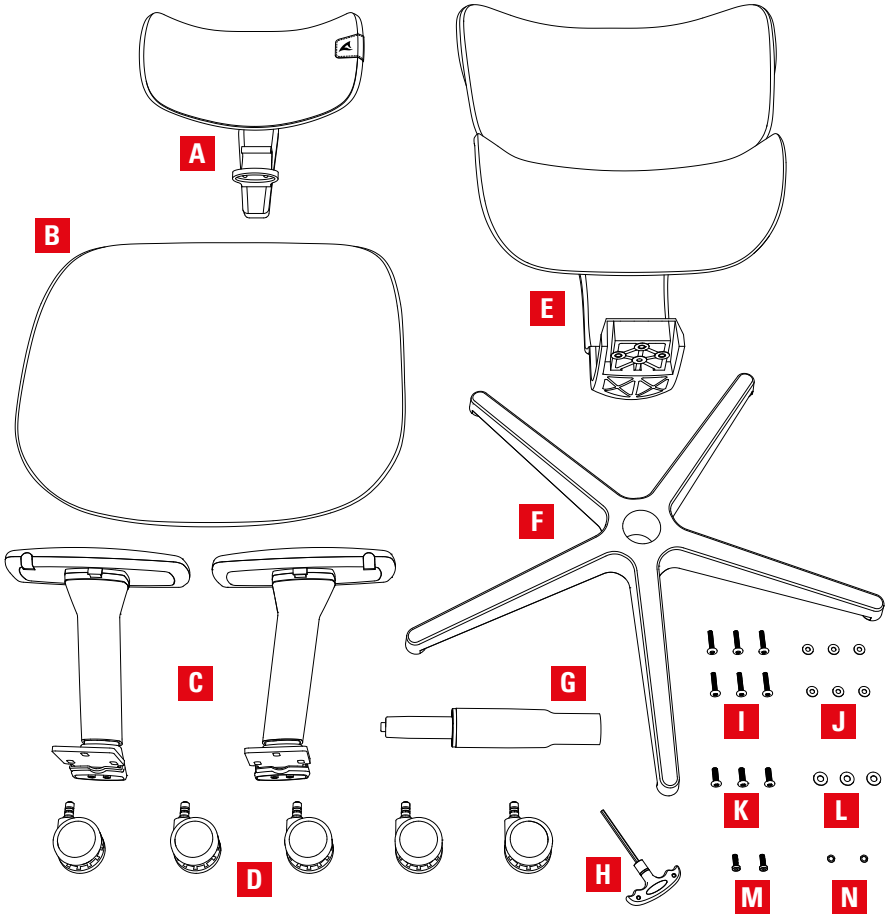
## Package Contents:

■ OfficePal C40 / OfficePal C40M, Accessory Set		
---	--	--

# Dimensions



# Package Contents



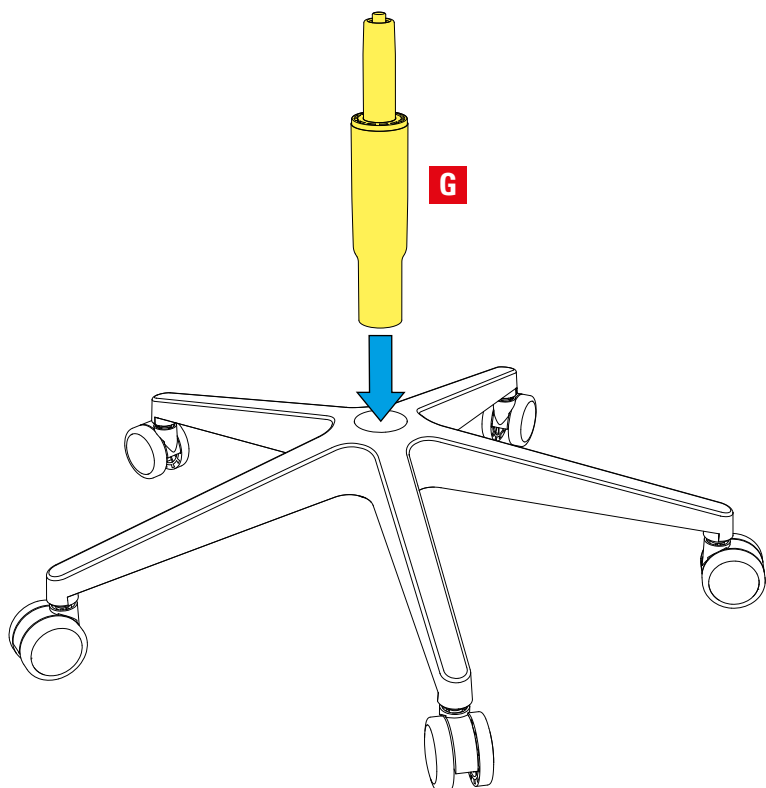
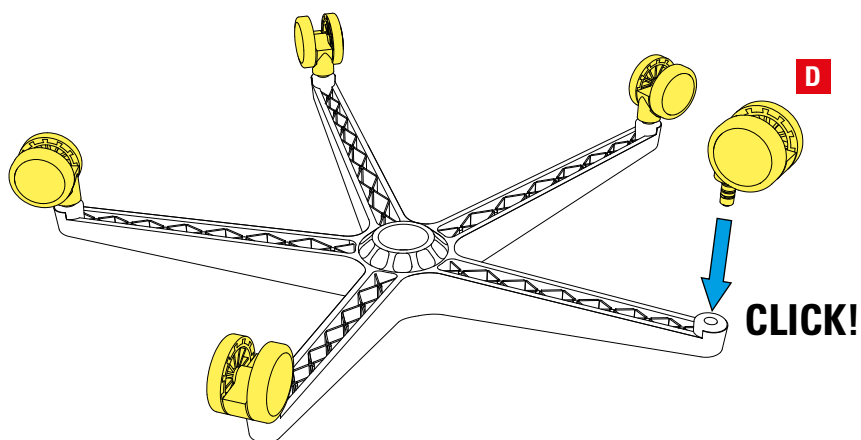
- A** 1x Headrest
- B** 1x Seat base
- C** 2x Armrest
- D** 5x 60 mm wheel
- E** 1x Backrest
- F** 1x Five-star base
- G** 1x Gas lift piston

- H** 1x Hex key
- I** 6x M6 x 30 mm screw
- J** 6x Washer
- K** 3x M8 x 20 mm screw
- L** 3x Washer
- M** 2x M6 x 17 mm screw
- N** 2x Spring washer

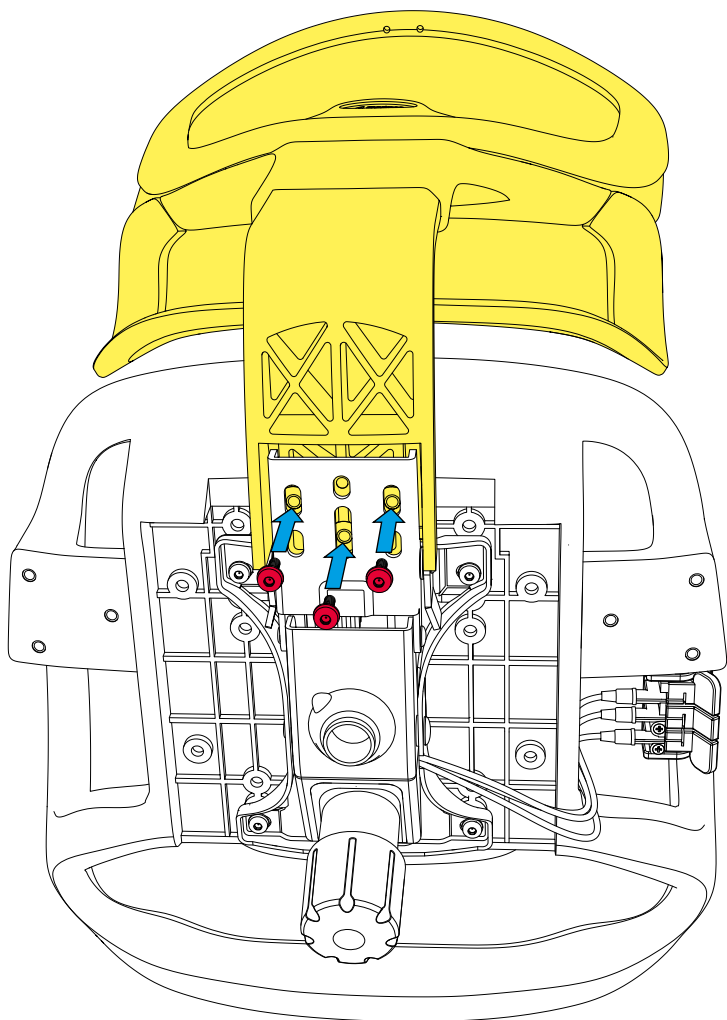
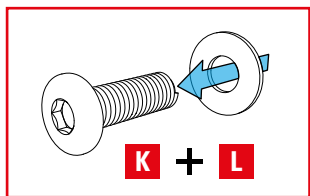
# Safety Instructions

1. We recommend that the chair be assembled with the help of a second person.
2. To avoid any possibility of the chair tipping over, ensure that the weight on the chair is evenly distributed.
3. Ensure you keep your feet on the ground at all times.  
Do not sit on the armrests.
4. Do not place heavy objects on the chair and do not use it as a ladder.
5. Avoid direct sunlight to ensure plastic components do not become brittle.
6. Do not use aggressive cleaning agents to clean the chair.
7. The chair is classified as a type-C office work chair.
8. Attention! Only instructed personnel should replace or work on the chair adjustment elements.
9. We recommend using the chair only on standard, even floor surfaces and only indoors.
10. Ensure that all parts are intact and properly installed. Incorrect installation may result in injury. Damaged parts can affect safety and function.
11. Do not use the chair when parts are damaged or missing.  
Damaged parts can affect safety and function.
12. Never stand on the chair, use as a ladder, climbing aid or the like.
13. Keep small parts and packaging away from children.  
There is a risk of suffocation!
14. The chair is not a children's toy. Keep babies and toddlers away from the swivel chair.
15. With sensitive hard floors (e.g. laminate, cork, parquet), use a commercially available floor protection mat.
16. The manufacturer assumes no liability for direct damage or consequential damage resulting from improper use or non-observance of the instructions.
17. The chair is durable up to 150 kg.

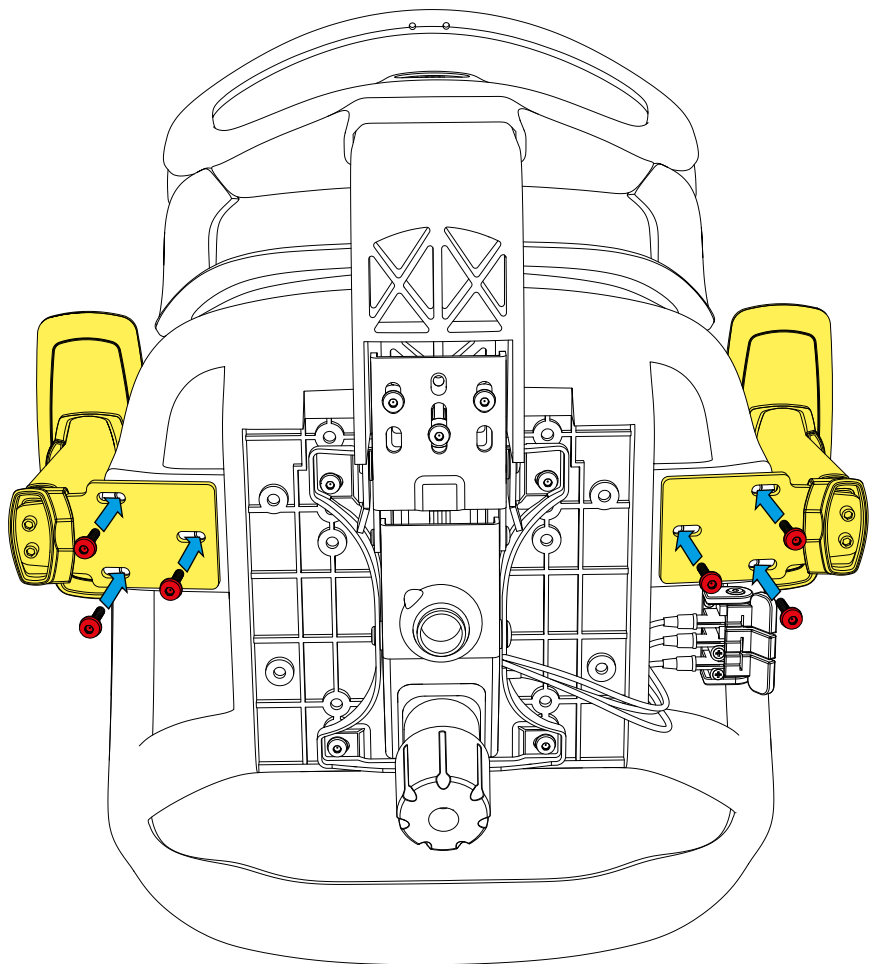
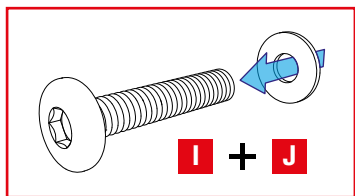
# Five-Star Base and Gas Lift Piston



# Connect Backrest with Seat Base

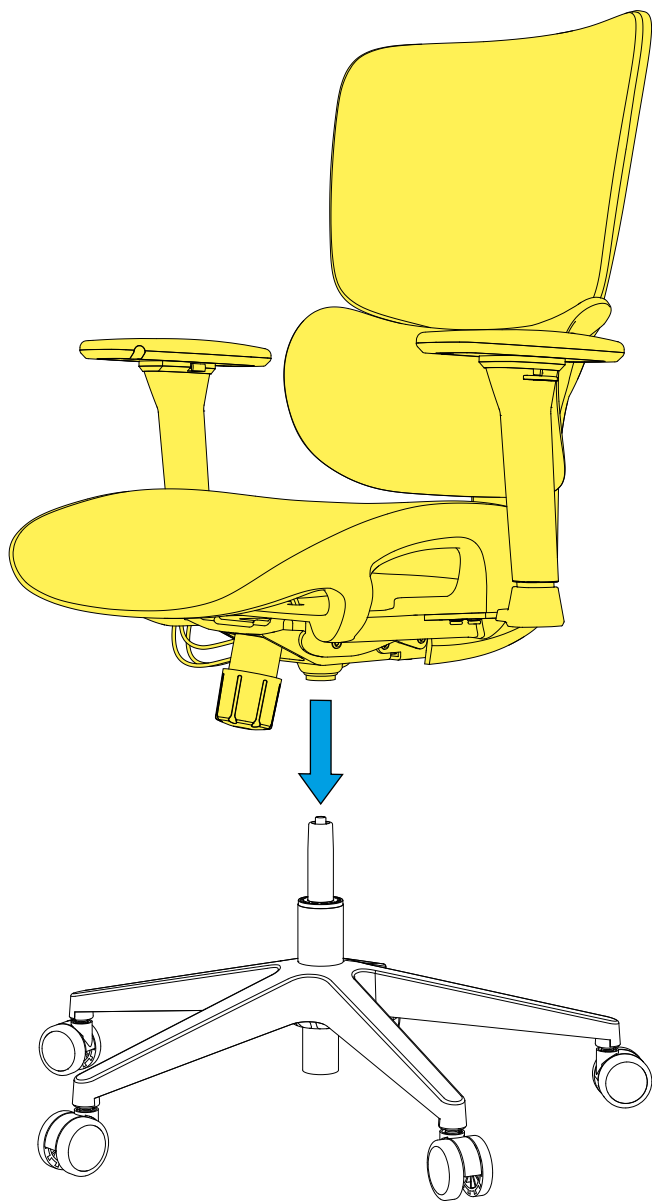


# Connect Armrests with Seat Base



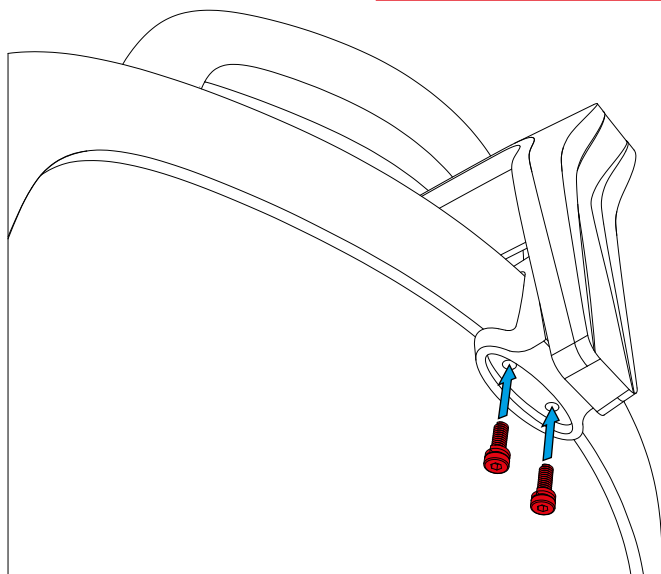
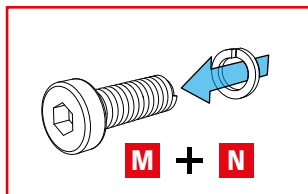
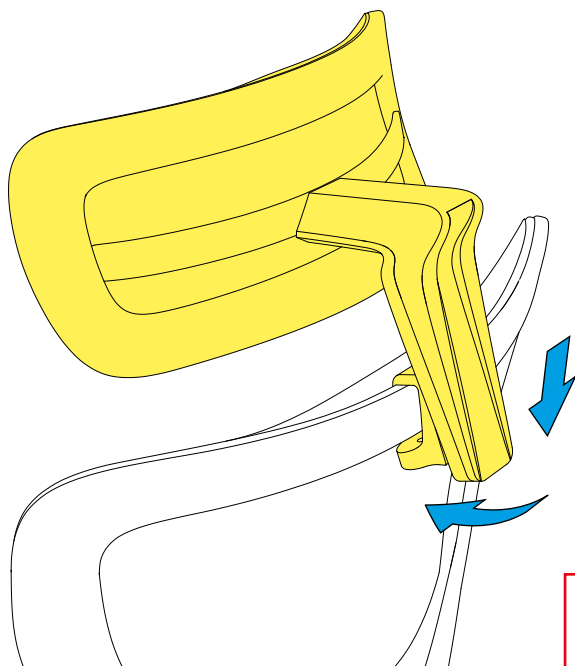


# Linking the Parts

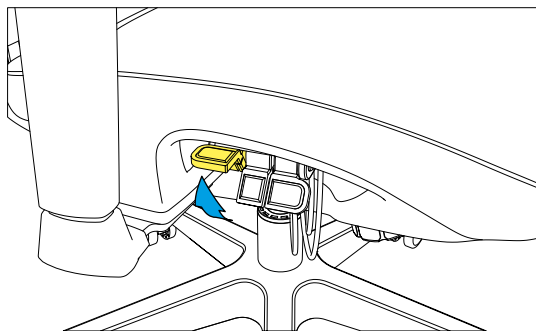
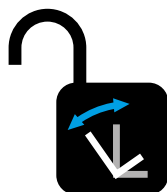
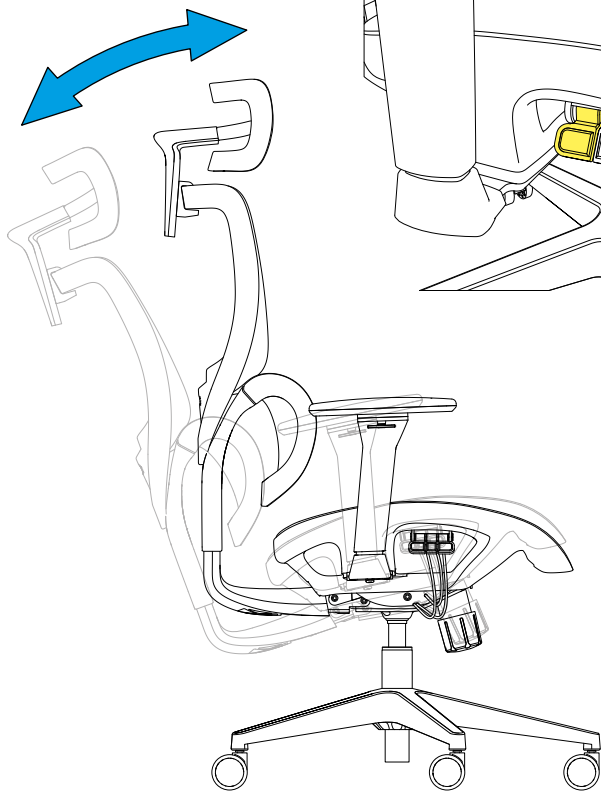
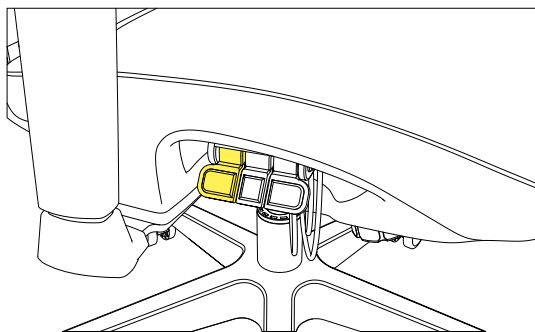


**Attention! To avoid damage to property or personal injury, ensure that the gas lift piston and chair mechanism are mounted correctly!**

# Connect Headrest with Backrest

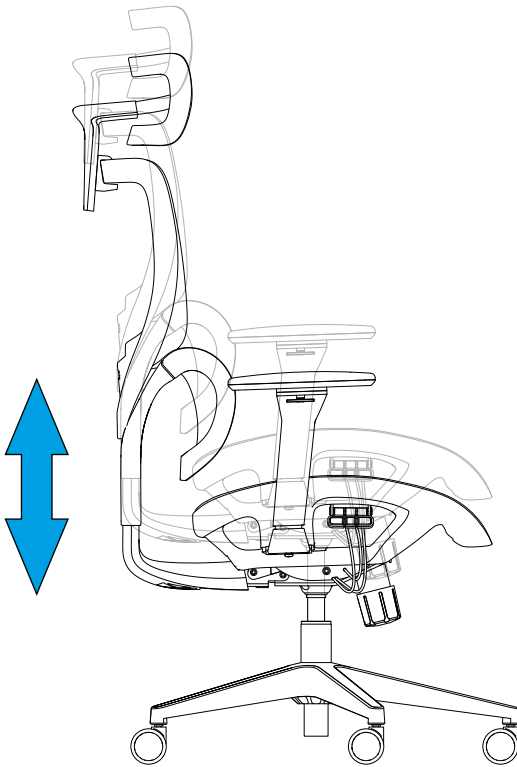
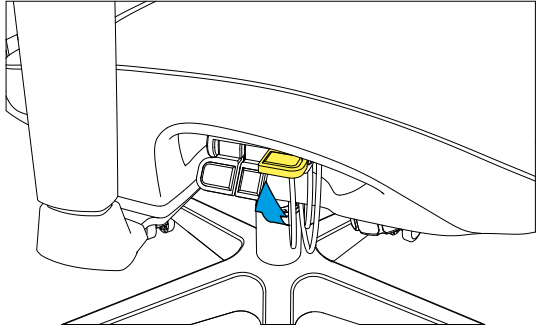


# Adjust Tilt



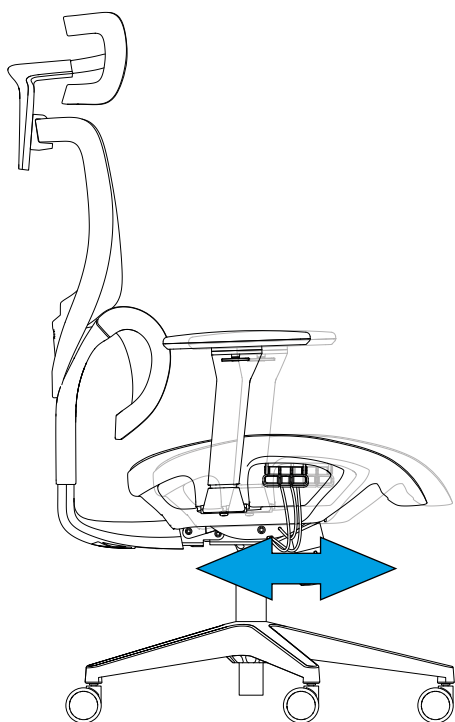
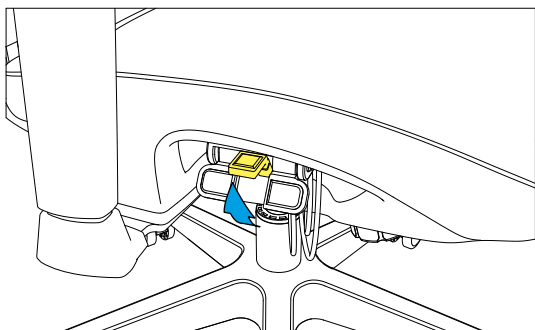
Once unlocked, slight pressure must first be applied to the backrest before the chair is released from the currently locked angle.

# Adjust Chair Height

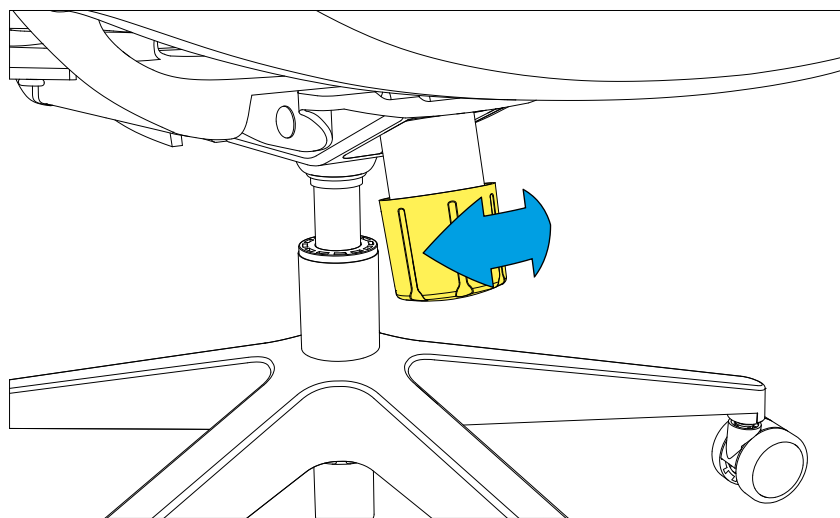


The chair can only be lowered when there is pressure on the seat base.  
The chair can only be raised when there is no pressure on the seat base.

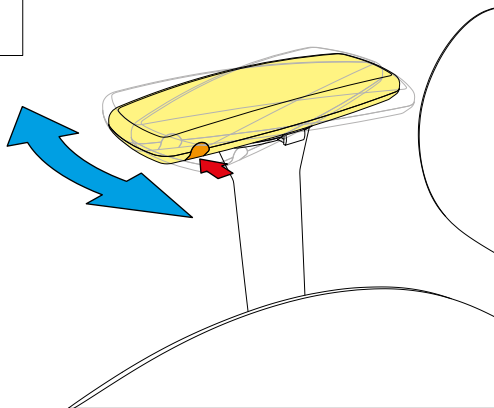
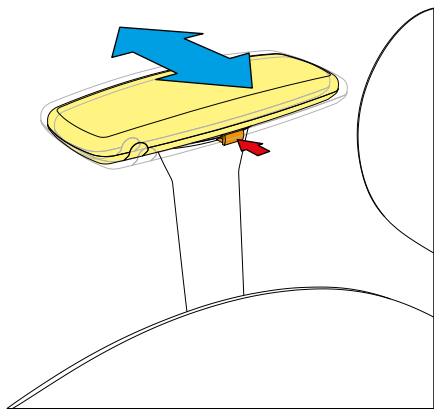
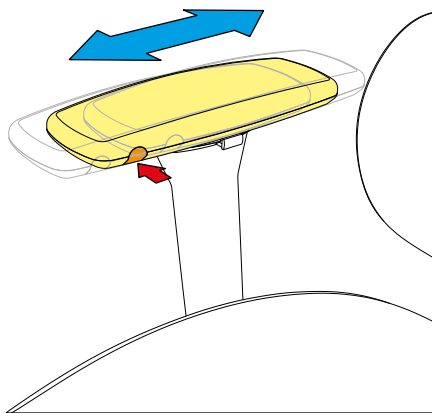
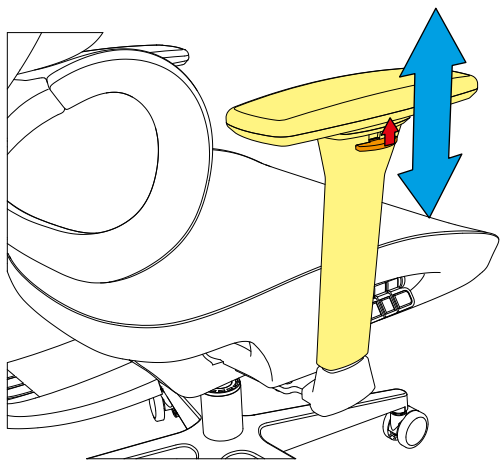
# Adjust Seat Depth



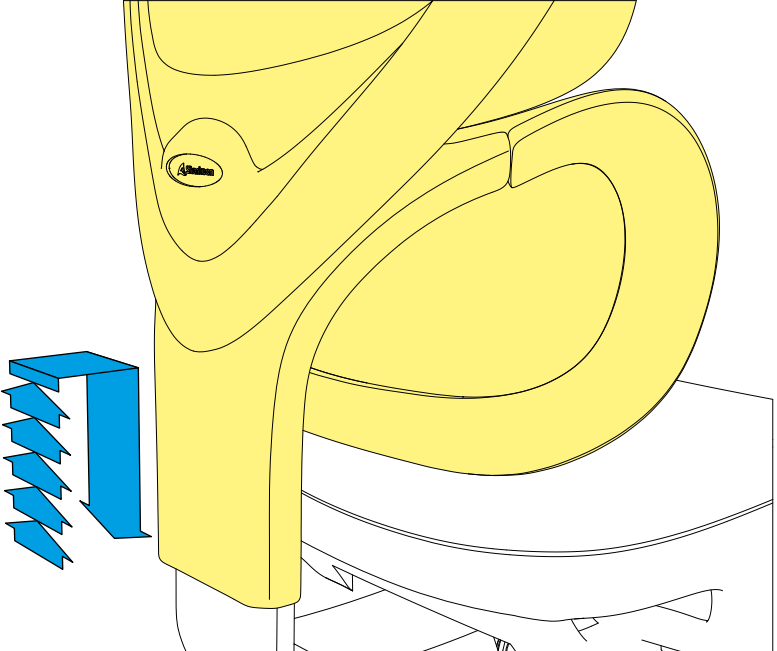
# Adjust Tilt Tension



# Adjust Armrests

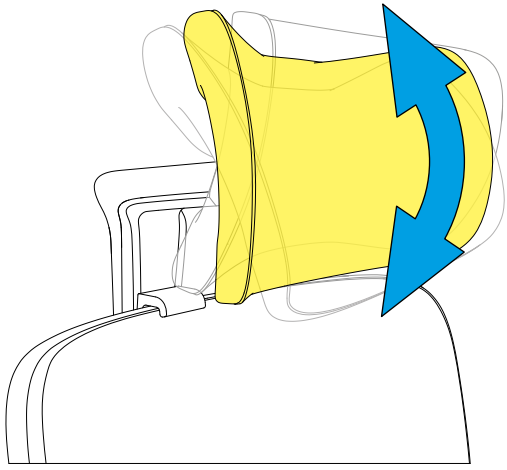
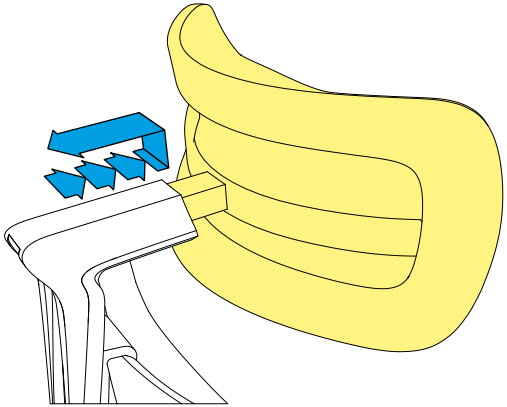
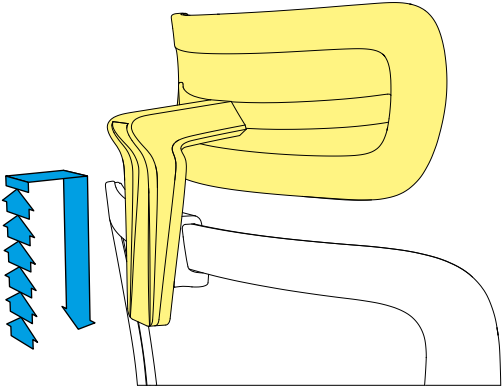


# Adjust Backrest





# Adjust Headrest



## Legal Disclaimer

For potential loss of data, especially due to inappropriate handling, Sharkoon assumes no liability.

All named products and descriptions are trademarks and/or registered trademarks of the respective manufacturers and are accepted as protected. As a continuing policy of product improvement at Sharkoon, the design and specifications are subject to change without prior notice. National product specifications may vary.

All rights reserved especially (also in extracts) for translation, reprinting, reproduction by copying or other technical means. Infringements will lead to compensation. All rights reserved especially in case of assignation of patent or utility patent. Means of delivery and technical modifications reserved.

## Disposal of your old products

Your product is designed and manufactured with high quality materials and components, which can be recycled and reused.



When this crossed-out wheeled bin symbol is attached to a product, it means the product is covered by the European Directive 2012/19/EU.

Please be informed about the local separate collection system for electrical and electronic products. Please act according to your local rules and do not dispose of your old products with your normal household waste. The correct disposal of your old product will help prevent potential negative consequences to the environment and human health.

**Follow us on social media!**



Facebook



Instagram



YouTube



TikTok



X

**Sharkoon Technologies GmbH**

Grüninger Weg 48

35415 Pohlheim

Germany

© **Sharkoon Technologies 2024**