

 *Sharkoon*

**SGH50**

**SKILLER**

**Manual**



# Specifications

## General

■ Type	Stereo Headset
■ Design	Circumaural
■ Connector	TRRS / 3.5 mm Stereo Plug
■ Inline Controller	✓
■ Weight without Cable	342 g

## Headphone Specifications

■ Speaker Diameter	50 mm
■ Impedance	55 $\Omega$
■ Frequency Response	10 Hz – 40,000 Hz
■ Sensitivity	112 dB $\pm$ 3 dB
■ Max. Power	40 mW
■ Volume Control	Via Inline Controller

## Microphone Specifications

■ Direction	Omnidirectional
■ Impedance	2.2 k $\Omega$
■ Frequency Response	100 Hz – 10,000 Hz
■ Sensitivity	-38 dB $\pm$ 3 dB
■ Detachable Microphone	✓
■ Flexible Microphone	✓
■ Microphone Mute	Via Inline Controller

## Cables and Connectors

■ Modular Cable	✓
■ Total Cable Length 1x 3.5 mm Stereo Plug (TRRS)	110 cm + 150 cm
■ Total Cable Length 2x 3.5 mm Stereo Plugs	110 cm + 150 cm + 30 cm
■ Gold-Plated Connectors	✓
■ TRRS Pinout	CTIA

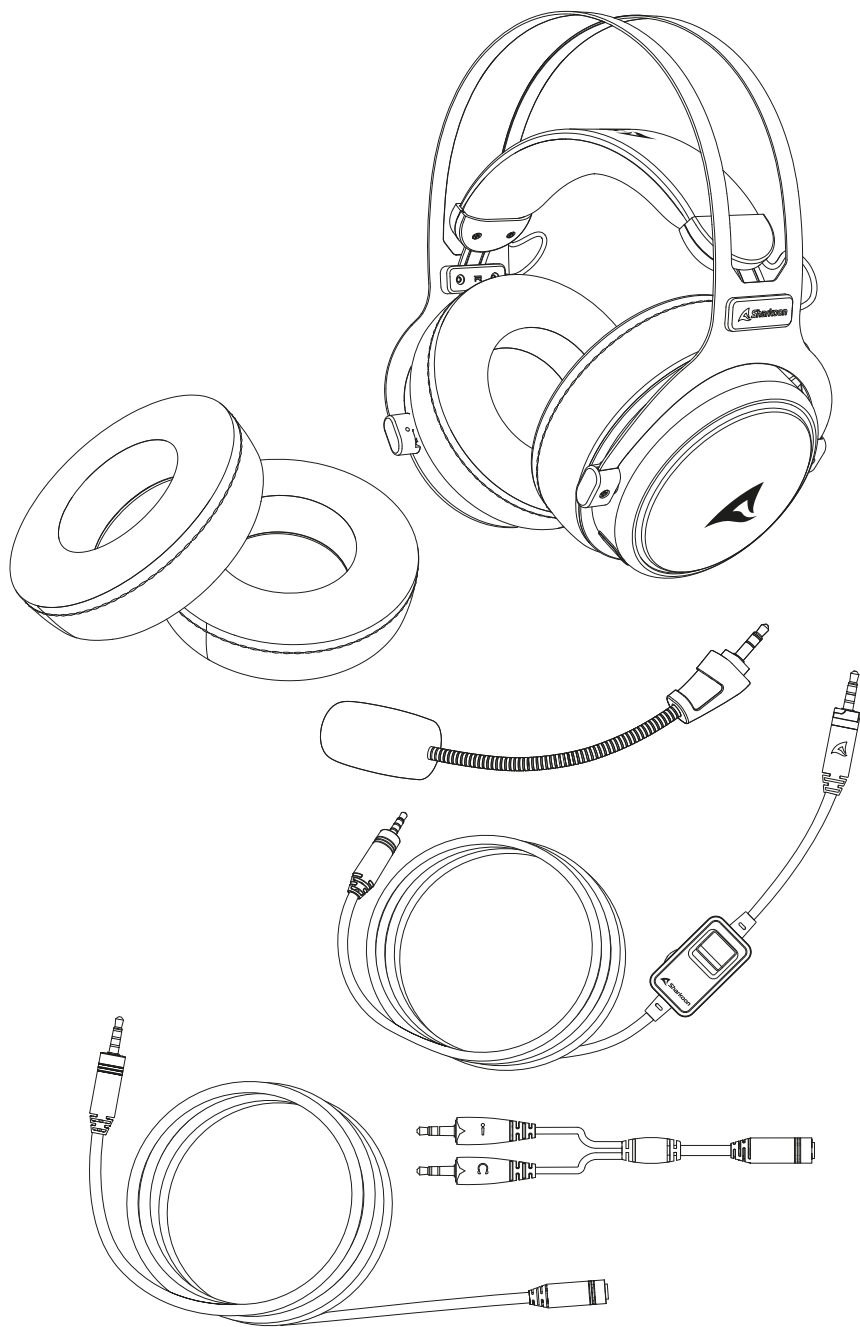
## Compatibility

■ PCs/Notebooks	✓
■ Tablets/Smartphones/ MP3-Player/Notebooks (TRRS)	✓
■ PlayStation 4, 5	✓
■ Xbox Series S/X	✓

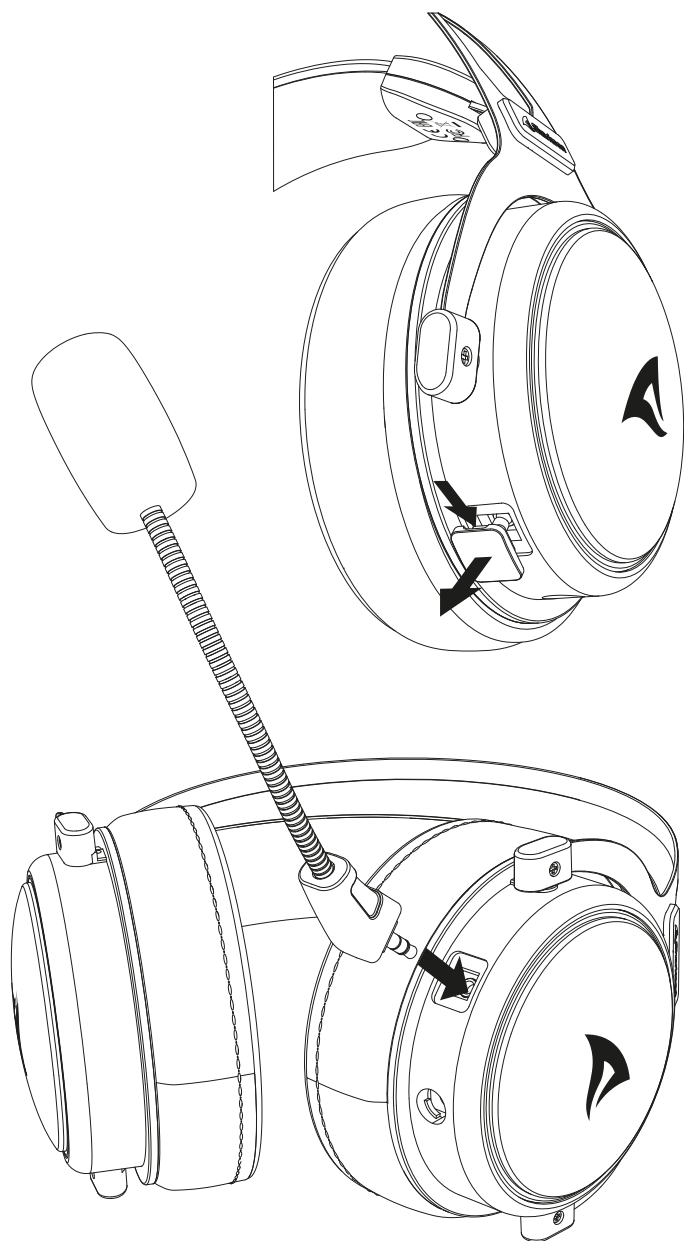
## Package Contents

■ SKILLER SGH50, Extra Pair Ear Pads
--------------------------------------

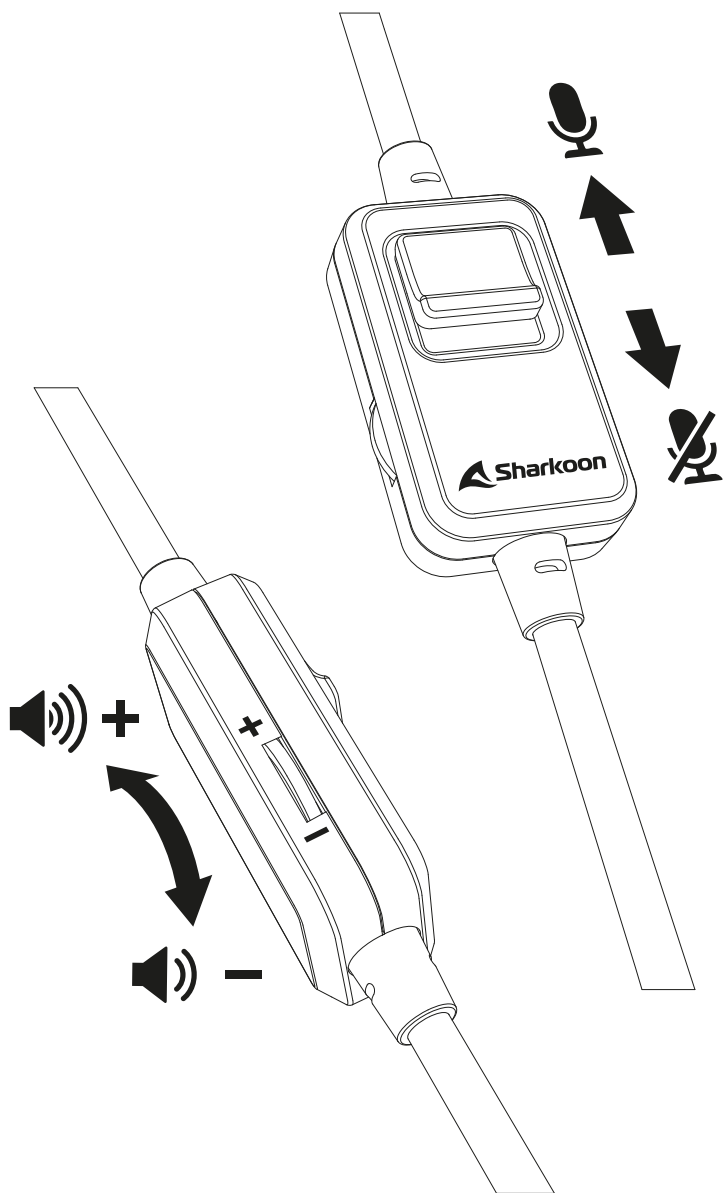
# Package Contents



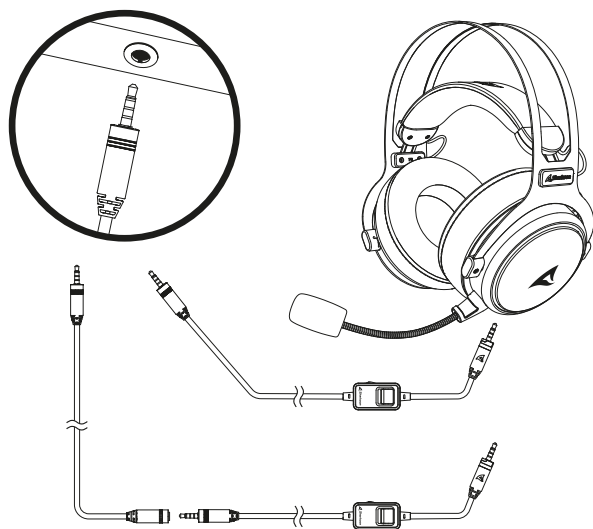
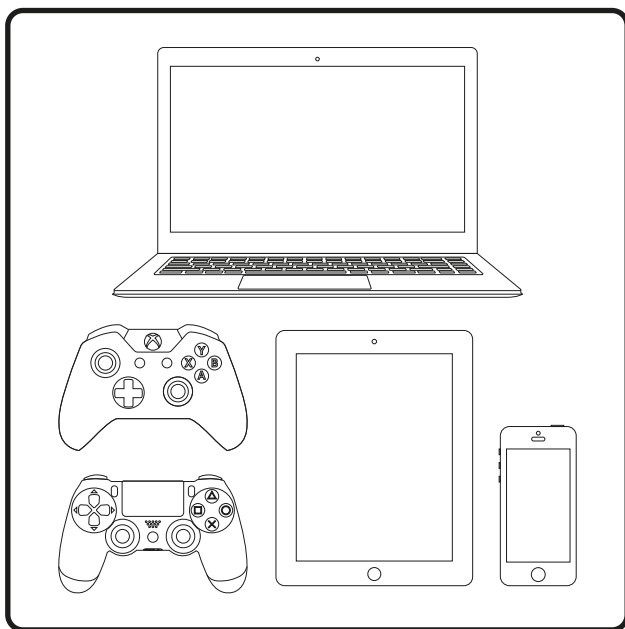
# Attach Microphone



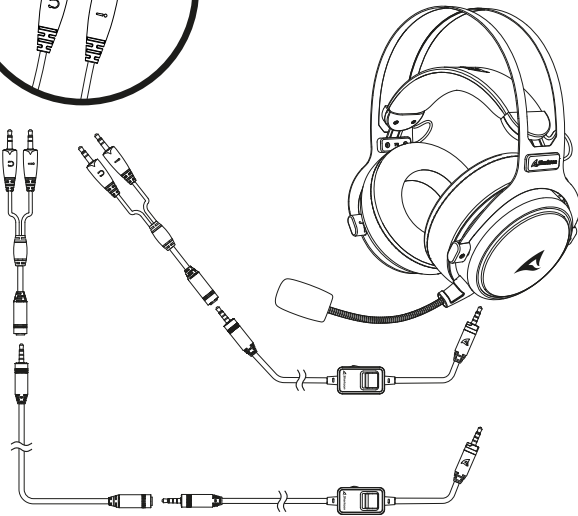
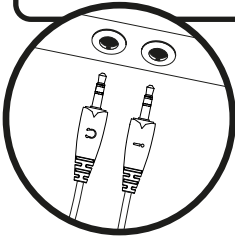
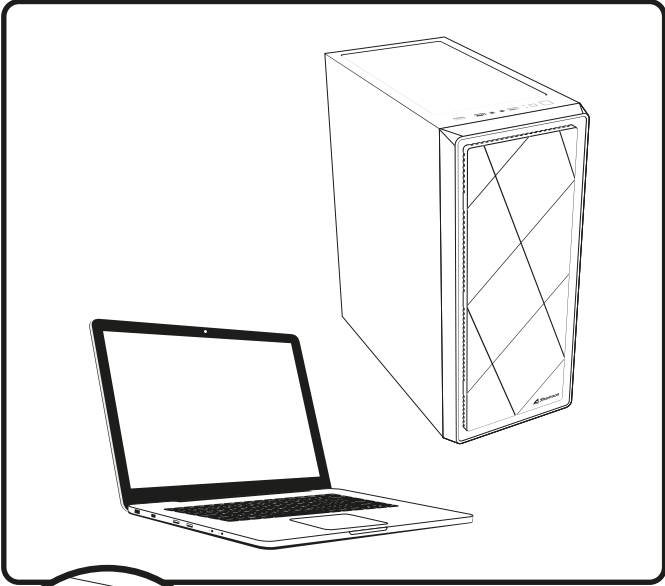
# Mute Microphone Adjust Volume



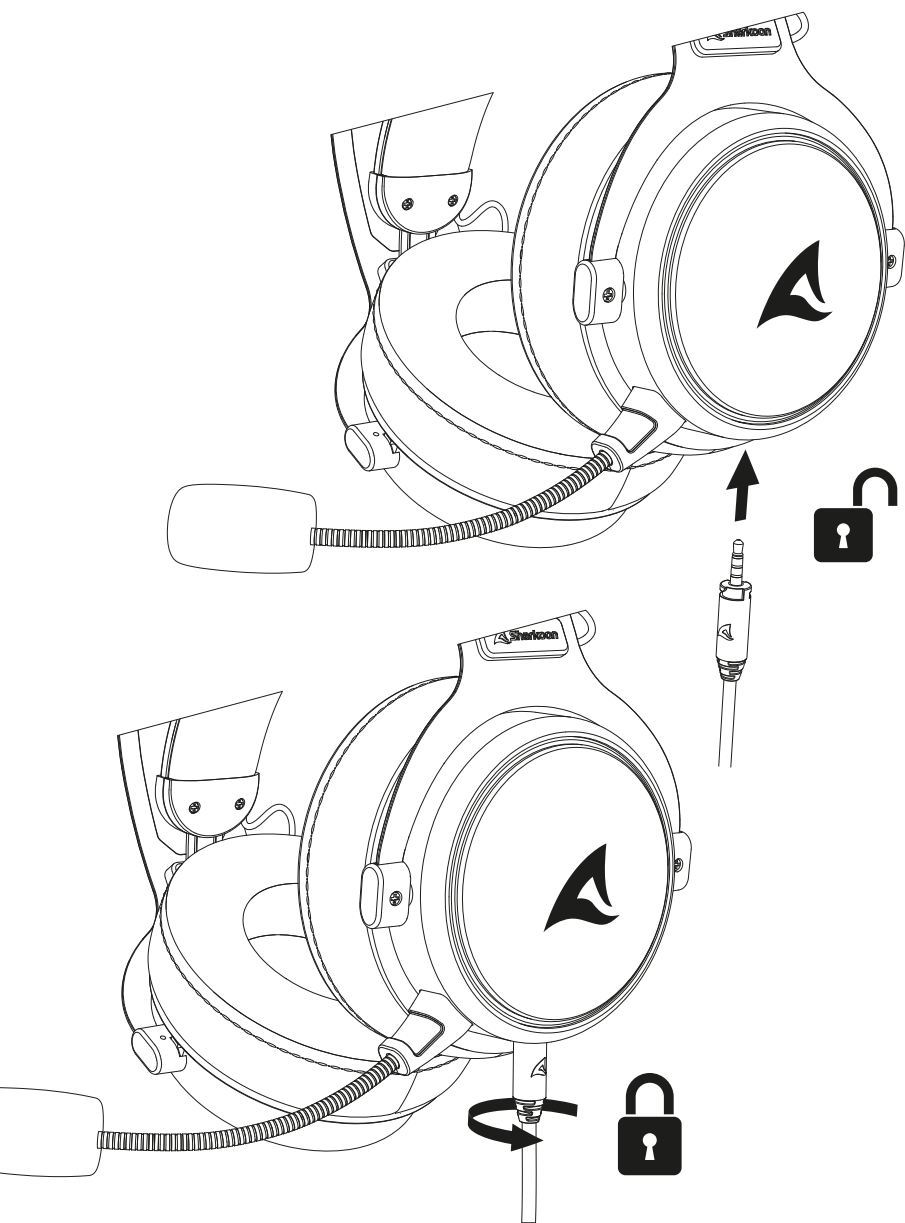
# Connect Headset



# Connect Headset



# Lock Connector







Avoid listening at a high volume level for a longer period of time. Doing so may harm your hearing.

## Legal Disclaimer

For potential loss of data, especially due to inappropriate handling, Sharkoon assumes no liability.

All named products and descriptions are trademarks and/or registered trademarks of the respective manufacturers and are accepted as protected. As a continuing policy of product improvement at Sharkoon, the design and specifications are subject to change without prior notice. National product specifications may vary.

All rights reserved especially (also in extracts) for translation, reprinting, reproduction by copying or other technical means. Infringements will lead to compensation. All rights reserved especially in case of assignation of patent or utility patent. Means of delivery and technical modifications reserved.

## Disposal of your old products

Your product is designed and manufactured with high quality materials and components, which can be recycled and reused.



When this crossed-out wheeled bin symbol is attached to a product, it means the product is covered by the European Directive 2012/19/EU.

Please be informed about the local separate collection system for electrical and electronic products. Please act according to your local rules and do not dispose of your old products with your normal household waste. The correct disposal of your old product will help prevent potential negative consequences to the environment and human health.

**Follow us on social media!**



Facebook



Instagram



YouTube



TikTok



X

**Sharkoon Technologies GmbH**

Grüniger Weg 48

35415 Pohlheim

Germany

© **Sharkoon Technologies 2024**

